

Cut this area away after completion of the hull

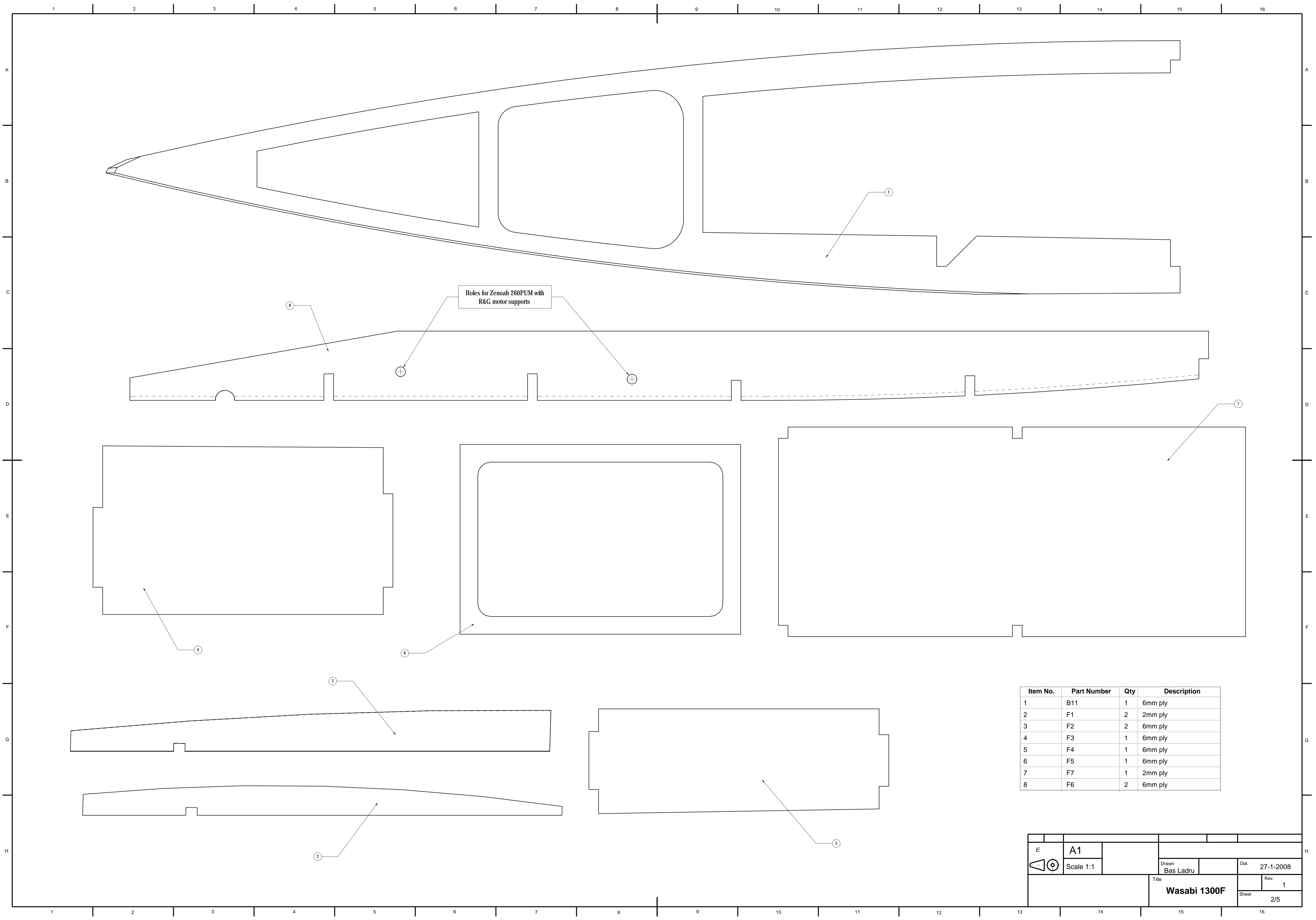
Cut this area away after completion of the hull



Item No.	Part Number	Qty	Description
1	B1	1	6mm ply
2	B2	1	6mm ply
3	B3	1	6mm ply
4	B4	1	6mm ply
5	B5	1	6mm ply
6	B6	1	6mm ply
7	B7	1	6mm ply
8	B8	1	6mm ply
9	B9	1	6mm ply
10	B10	1	6mm ply

Optional holes for auto bailers

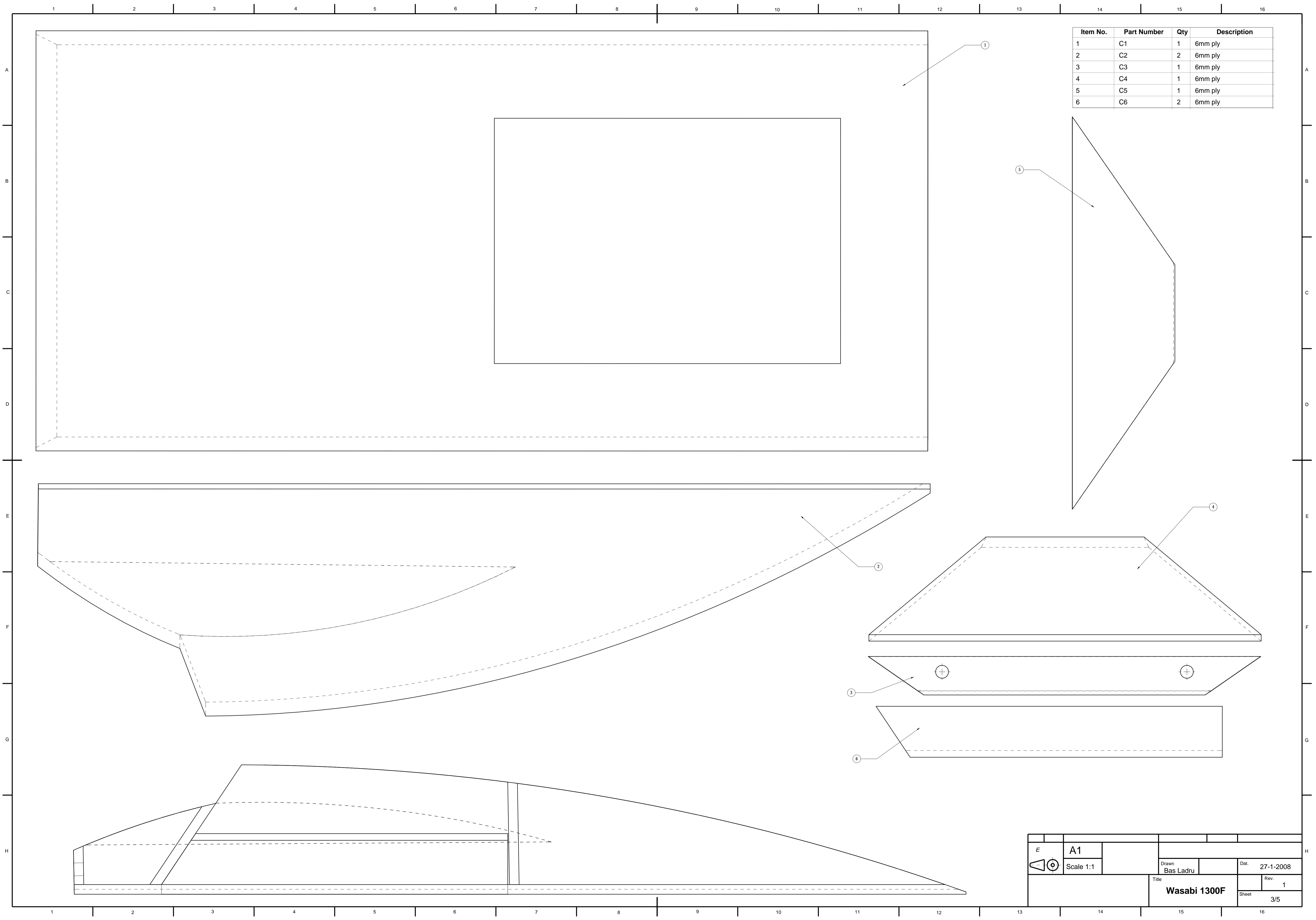
E	A1		
Scale 1:1	Drawn Bas Ladru	Date 27-1-2008	Rev. 1
Title Wasabi 1300F		Sheet 1/5	



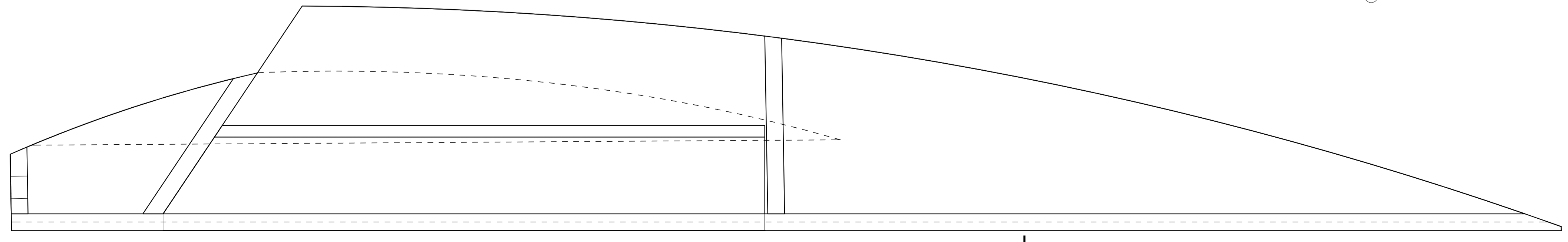
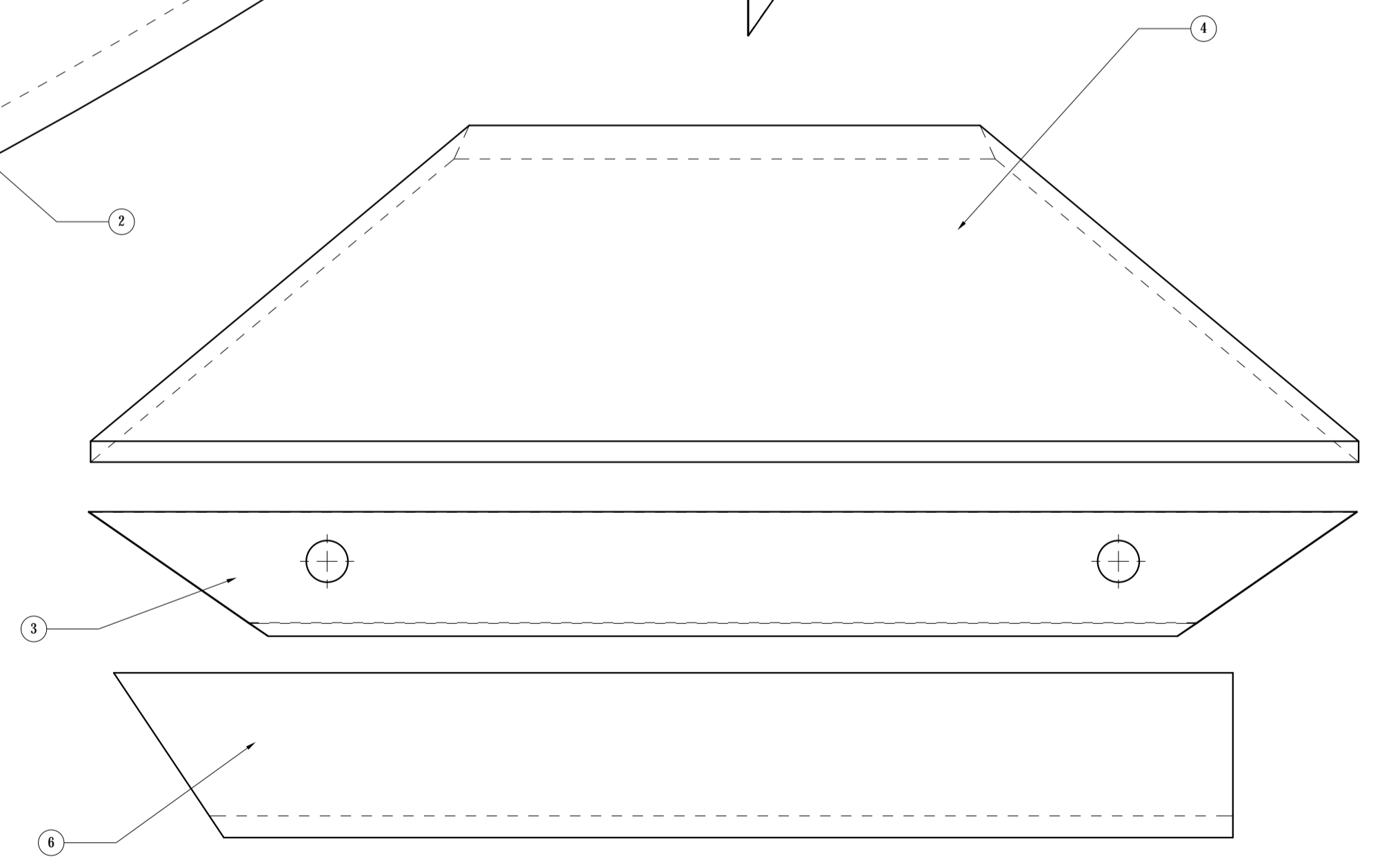
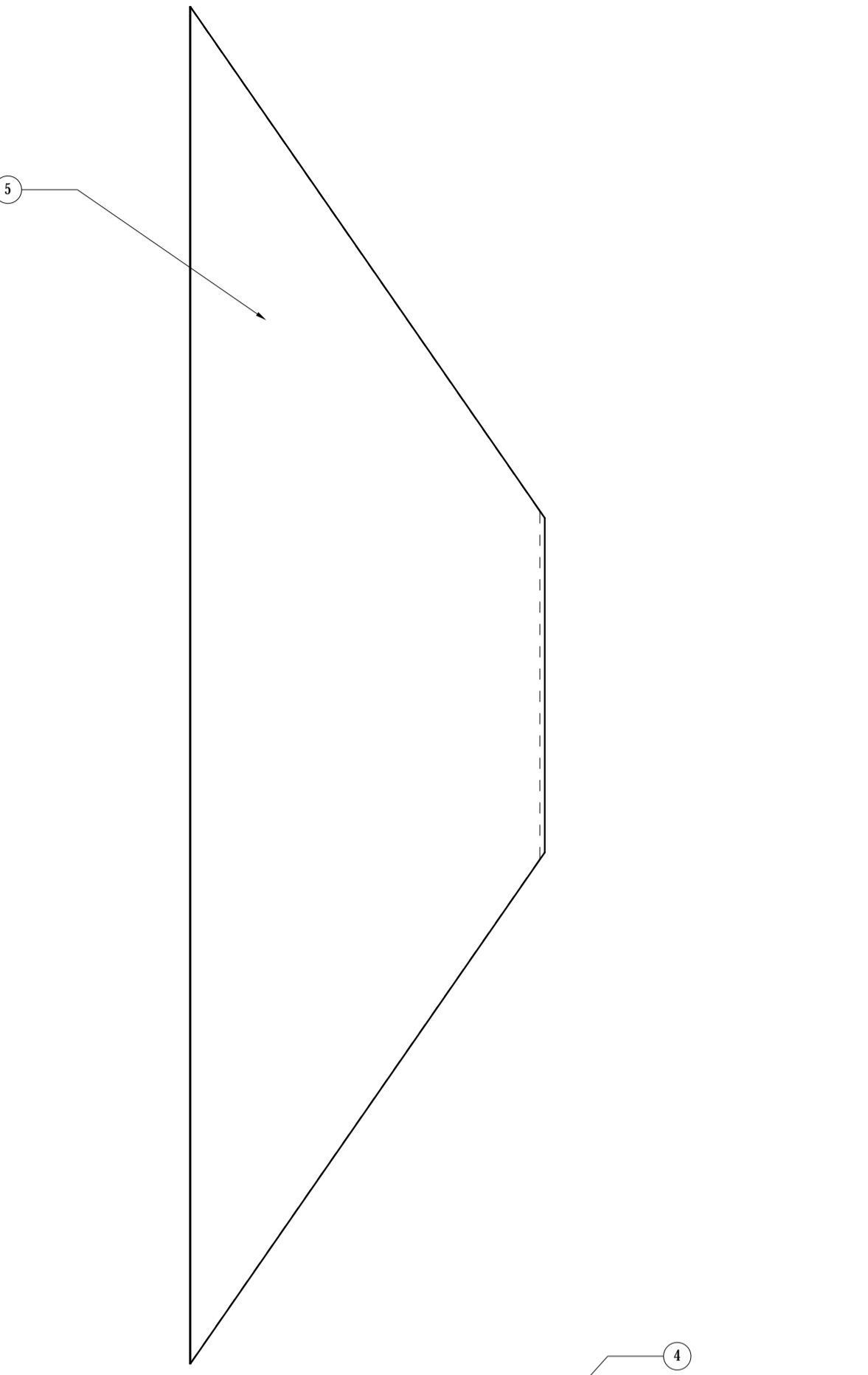
Holes for Zenoah 260PUM with R&G motor supports

Item No.	Part Number	Qty	Description
1	B11	1	6mm ply
2	F1	2	2mm ply
3	F2	2	6mm ply
4	F3	1	6mm ply
5	F4	1	6mm ply
6	F5	1	6mm ply
7	F7	1	2mm ply
8	F6	2	6mm ply

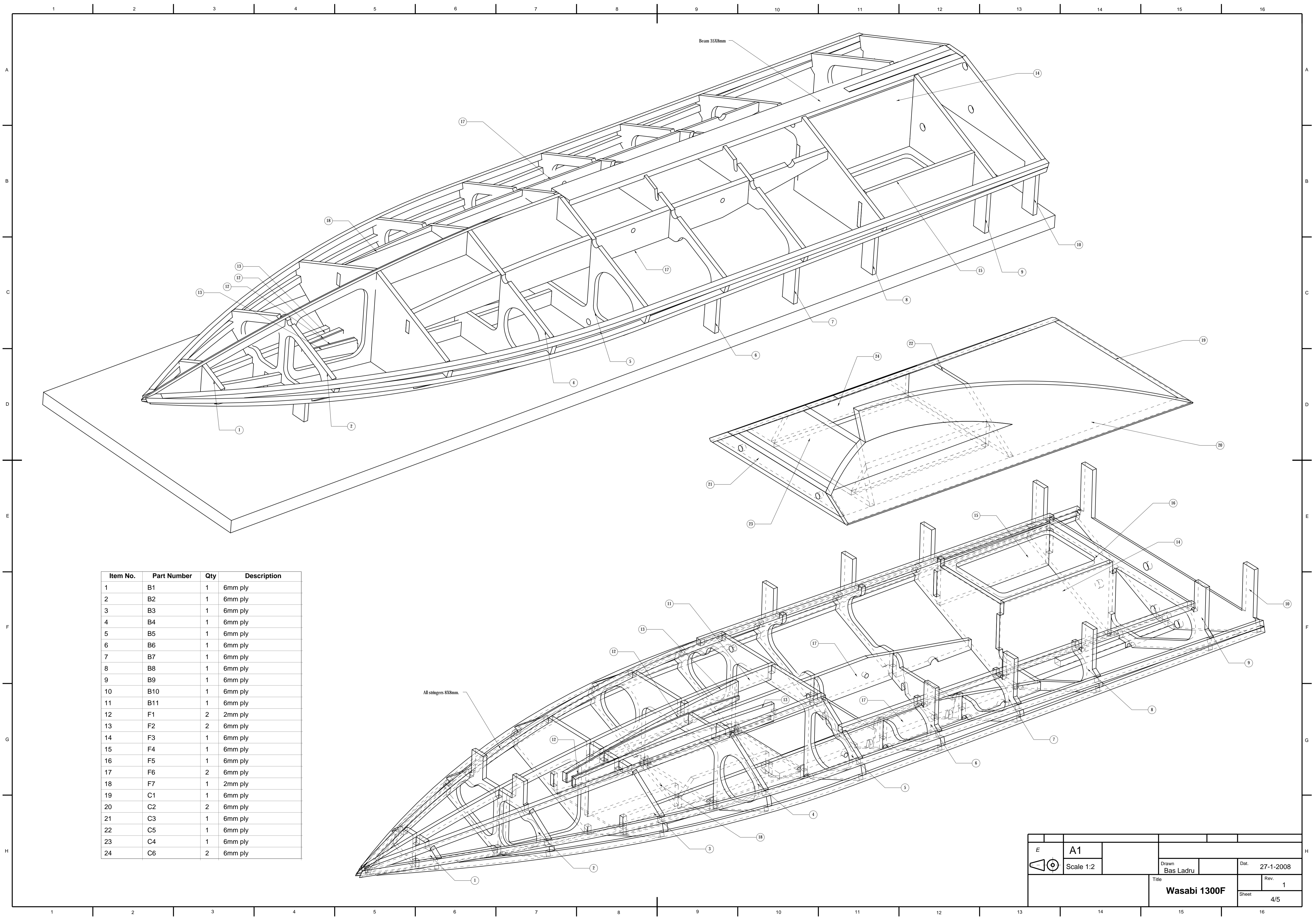
E	A1	Scale 1:1	Title		Date	
			Wasabi 1300F		27-1-2008	
Drawn Bas Ladru			Rev.		1	
			Sheet		2/5	



Item No.	Part Number	Qty	Description
1	C1	1	6mm ply
2	C2	2	6mm ply
3	C3	1	6mm ply
4	C4	1	6mm ply
5	C5	1	6mm ply
6	C6	2	6mm ply

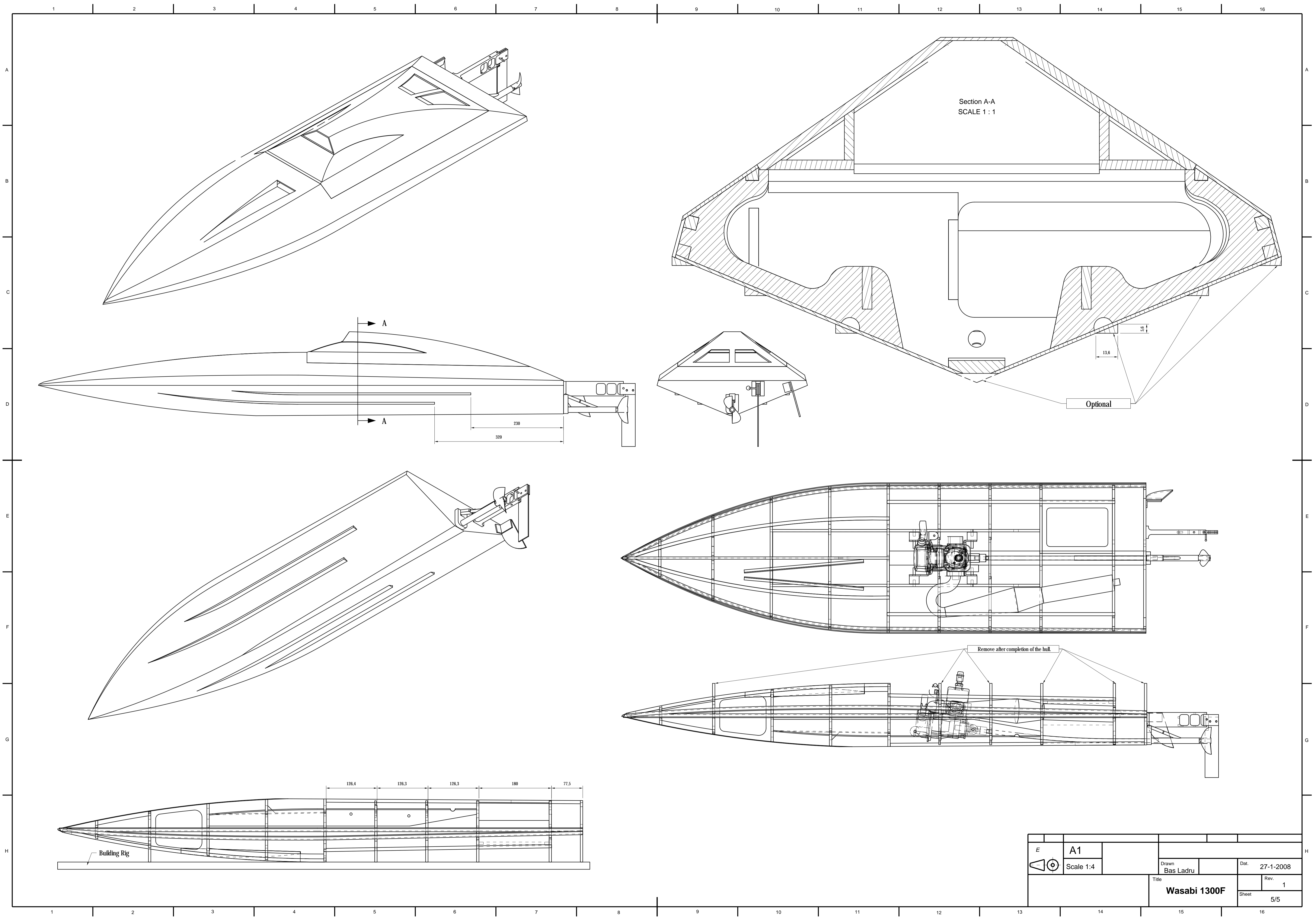


E	A1		
	Scale 1:1	Drawn Bas Ladru	Dat. 27-1-2008
Title Wasabi 1300F		Rev. 1	Sheet 3/5



Item No.	Part Number	Qty	Description
1	B1	1	6mm ply
2	B2	1	6mm ply
3	B3	1	6mm ply
4	B4	1	6mm ply
5	B5	1	6mm ply
6	B6	1	6mm ply
7	B7	1	6mm ply
8	B8	1	6mm ply
9	B9	1	6mm ply
10	B10	1	6mm ply
11	B11	1	6mm ply
12	F1	2	2mm ply
13	F2	2	6mm ply
14	F3	1	6mm ply
15	F4	1	6mm ply
16	F5	1	6mm ply
17	F6	2	6mm ply
18	F7	1	2mm ply
19	C1	1	6mm ply
20	C2	2	6mm ply
21	C3	1	6mm ply
22	C5	1	6mm ply
23	C4	1	6mm ply
24	C6	2	6mm ply

E	A1	Scale 1:2	Drawn	Bas Ladru	Dat.	27-1-2008
			Rev.			
Title			Wasabi 1300F		Sheet	4/5



E	A1	Scale 1:4	Drawn	Bas Ladru	Date	27-1-2008
			Title		Wasabi 1300F	Rev.
			Sheet	5/5		