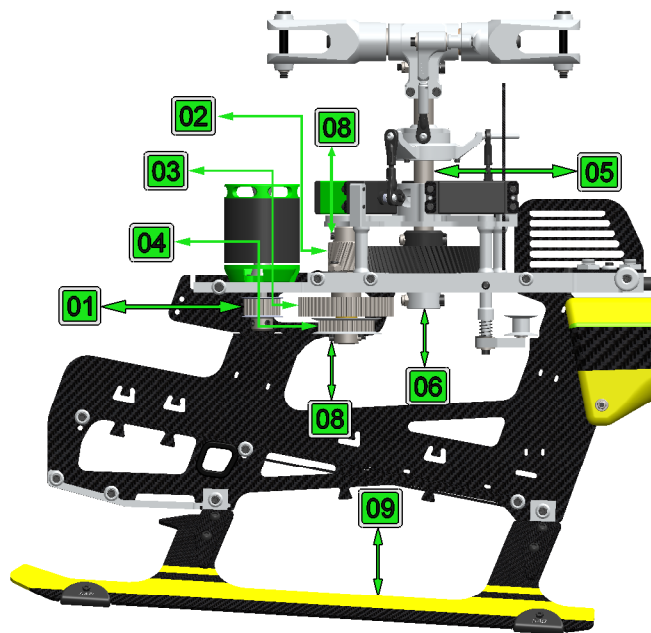




The Latest News For Goblin700

New standard equipment for the Goblin 700

Life is an evolution, and as with life our helicopter changes. Not in a big way, but we feel these changes to the standard equipment included with the Goblin 700 will enhance your experience with the helicopter. The only mandatory upgrades for existing kit owners are the new **37T pulley (H0101-S)**, which has been available for some time, and the new **shouldered M2.5x19 SHCS (HC033-S)**.



New Canopy Grommet (HA111-S)



- 01 New 21T Motor Pulley (H0015-21-S)** (Note: Refer to page 13 of the manual for detailed assembly information.)
Originally, the Goblin was offered with a 22T motor pulley. After extensive testing we believe the gear ratio offered by using a 21 tooth motor pulley fits better with the most popular motor Kv choices being made. Of course, there are still many other pulley tooth counts offered as optional parts to allow you to optimize your power setup. Please refer to page 28 of the manual for updated gear ratio information.
- 02 New 20T Drive Pinion (H0013-S)** (Note: Refer to page 11 of the manual for detailed assembly information.)
This new drive pinion is now made from steel, which affords much improved wear characteristics.
- 03 New 60T Pulley (H0104-S)** (Note: Refer to page 11 of the manual for detailed assembly information.)
Extensive flight experience gained over the previous months has resulted in us making a small change to the 60T autorotation pulley. The changes made will help improve autorotation performance and ensure reliable operation of the one way bearing, even after extended use.

- 04 New 37T Pulley (H0101-S)** (Note: Refer to page 11 of the manual for detailed assembly information.)
This new 37 tooth front tail drive pulley is now included in new kits in preference to the previous 36 tooth pulley. In addition to providing an increased tail drive ratio (which allows superb tail authority even at low head speeds), the pulley flanges are secured to the sprocket using SHCS. If you are still using the 36 tooth pulley with pressed on flanges, please contact the SAB Goblin distributor in your country for a replacement.

- 05 New Main Shaft (H0122-S)** (Note: Refer to page 11 of the manual for detailed assembly information.)
This new main shaft has been modified to accept our new locking collar (H0020-S, included) which features a M4 securing bolt. The change from a M3 to M4 securing bolt for this collar ensures locking collar integrity even during the harshest of conditions.

- 06 New M4 Locking Collar (H0121-S)** (Note: Refer to page 11 of the manual for detailed assembly information.)
Available separately, this is the new main shaft locking collar utilizing a M4 size attachment bolt, which is included.

- 07 New Heavy Duty 27T Tail Pulley (H0102-S)** (Note: Refer to page 19 of the manual for detailed assembly information.)
This new tail pulley features a series of socket head cap screws which securely fasten the flanges to the pulley sprocket. While the original design was more than adequate, we realize that the permanent security offered by this new system will be appreciated by all.

- 08 New Socket Head Cap Screw Shouldered M2.5x19 (HC033-S)** (Note: Refer to page 11 of the manual for detailed assembly information.)
These new shouldered SHCS offer a large increase in strength compared to the original fully threaded bolts. If you are still using the original fully threaded bolts, please contact the SAB Goblin distributor in your country for replacements.

- 09 New Yellow Landing Gear (H0105-S)** (Note: Refer to page 8 of the manual for detailed assembly information.)
Our new yellow landing gear is both aesthetically pleasing and functional. It will give your Goblin even more of a sports car look and fell. Manufactured from high quality carbon fiber, the color matches the stock canopy paint scheme. These will look great on your model.