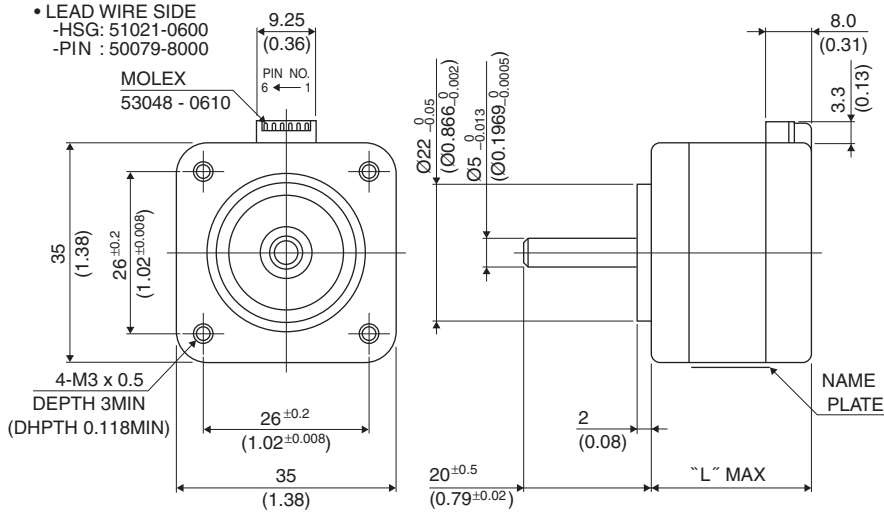


35 □ 0.9°

14PY-Z

0.9°

■ 外観図 Outline



Hybrid

UNIT: mm (inch)

| | "L" |
|-----------|----------|
| 14PY-Z2** | 22(0.87) |
| 14PY-Z0** | 26(1.02) |

結線表 PIN NO. vs. PHASE

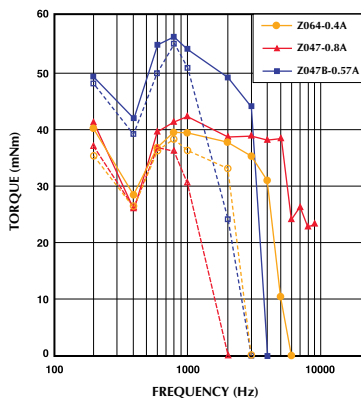
| 相 (PHASE) | A | A COM | \bar{A} | B | B COM | \bar{B} |
|----------------|---|-------|-----------|---|-------|-----------|
| ピン番号 (PIN NO.) | 4 | 5 | 6 | 3 | 2 | 1 |

■仕様 Specifications

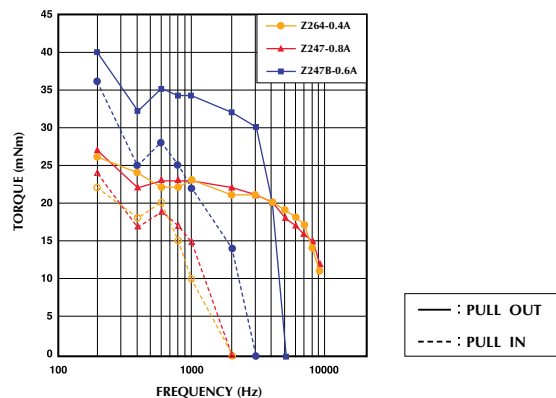
| 型式 | ステップ角 | ドライブ方式 | 定格電流 | 巻線抵抗 | ホールディングトルク | インダクタンス | ロータイナーシャ | ディテントトルク | 質量 |
|------------|------------|----------------|---------------|------------|----------------|------------|----------------------|---------------|------|
| Model | Step Angle | Drive Sequence | Rated Current | Resistance | Holding Torque | Inductance | Rotor Inertia | Detent Torque | Mass |
| | (deg) | | (A) | (Ohms) | (mNm) | (mH) | (g·cm ²) | (mNm) | (g) |
| 14PY-Z047U | 0.9 | UNI-POLAR | 0.8 | 2.4 | 40 | 2.4 | 8 | 2.0 | 120 |
| 14PY-Z064U | 0.9 | UNI-POLAR | 0.4 | 9.0 | 40 | 9.3 | 8 | 2.0 | 120 |
| 14PY-Z247U | 0.9 | UNI-POLAR | 0.8 | 1.9 | 22 | 1.2 | 8 | 1.8 | 120 |
| 14PY-Z264U | 0.9 | UNI-POLAR | 0.4 | 7 | 22 | 4.6 | 8 | 1.8 | 120 |
| 14PY-Z047B | 0.9 | BI-POLAR | 0.6 | 4.8 | 55 | 9.3 | 8 | 2.0 | 120 |
| 14PY-Z247B | 0.9 | BI-POLAR | 0.6 | 3.8 | 35 | 4.6 | 8 | 1.8 | 120 |

■トルク・スピード特性 Torque/Speed Characteristics

Motor TYPE: 14PY-Z0XX
Driver: Chopper Dual
Supply Voltage: 24 V (DC)



Motor Type: 14PY-Z2XX
Driver: Chopper Dual
Supply Voltage: 24 V (DC)



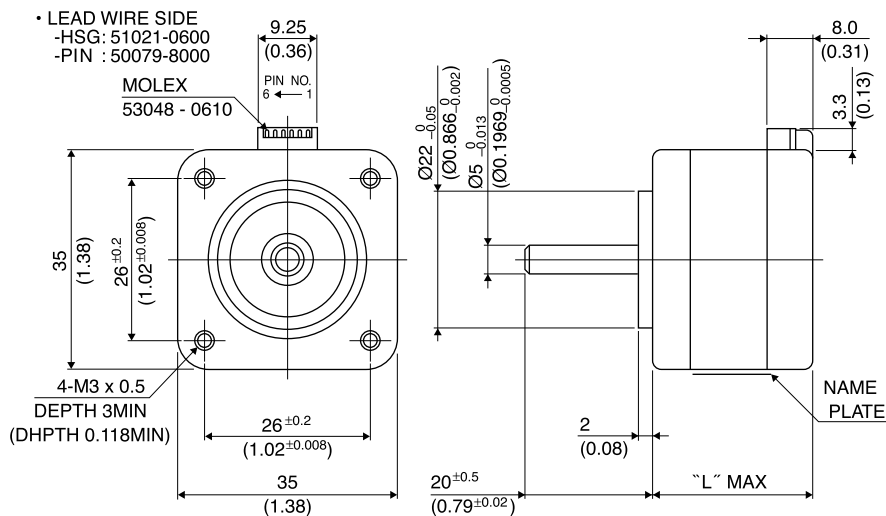
— : PULL OUT
- - - : PULL IN

35 1.8°

14PM-M

1.8°

■ 外観図 Outline



Hybrid

UNIT: mm (inch)

| | "L" |
|-----------|----------|
| 14PM-M2** | 22(0.87) |
| 14PM-M0** | 26(1.02) |

結線表 PIN NO. vs. PHASE

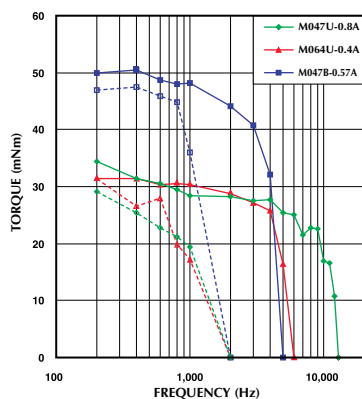
| 相 (PHASE) | A | A COM | \bar{A} | B | B COM | \bar{B} |
|----------------|---|-------|-----------|---|-------|-----------|
| ピン番号 (PIN NO.) | 4 | 5 | 6 | 3 | 2 | 1 |

■ 仕様 Specifications

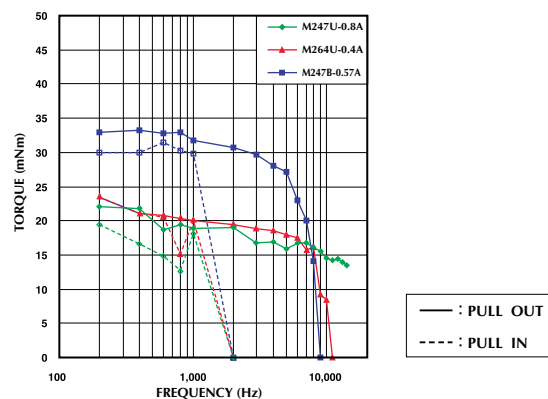
| 型式 | ステップ角 | ドライブ方式 | 定格電流 | 巻線抵抗 | ホールディングトルク | インダクタンス | ロータイナーシャ | ディテントトルク | 質量 |
|------------|------------|----------------|---------------|------------|----------------|------------|----------------------|---------------|------|
| Model | Step Angle | Drive Sequence | Rated Current | Resistance | Holding Torque | Inductance | Rotor Inertia | Detent Torque | Mass |
| | (deg) | | (A) | (Ohms) | (mNm) | (mH) | (g·cm ²) | (mNm) | (g) |
| 14PM-M047U | 1.8 | UNI-POLAR | 0.8 | 2.4 | 34 | 1.5 | 8 | 5.8 | 120 |
| 14PM-M064U | 1.8 | UNI-POLAR | 0.4 | 9.0 | 34 | 5.8 | 8 | 5.8 | 120 |
| 14PM-M247U | 1.8 | UNI-POLAR | 0.8 | 1.9 | 24 | 0.8 | 5 | 4.7 | 105 |
| 14PM-M264U | 1.8 | UNI-POLAR | 0.4 | 7.0 | 24 | 3.1 | 5 | 4.7 | 105 |
| 14PM-M047B | 1.8 | BI-POLAR | 0.6 | 4.8 | 50 | 6.1 | 8 | 5.8 | 120 |
| 14PM-M247B | 1.8 | BI-POLAR | 0.6 | 3.8 | 34 | 3.2 | 5 | 4.7 | 105 |

■ トルク・スピード特性 Torque/Speed Characteristics

Model No: 14PM-M047U, M064U, M047B
 Driver: Chopper Dual
 Supply Voltage: 24.0 (Volt)



Model No: 14PM-M247U, M264U, M247B
 Driver: Chopper Dual
 Supply Voltage: 24.0 (Volt)

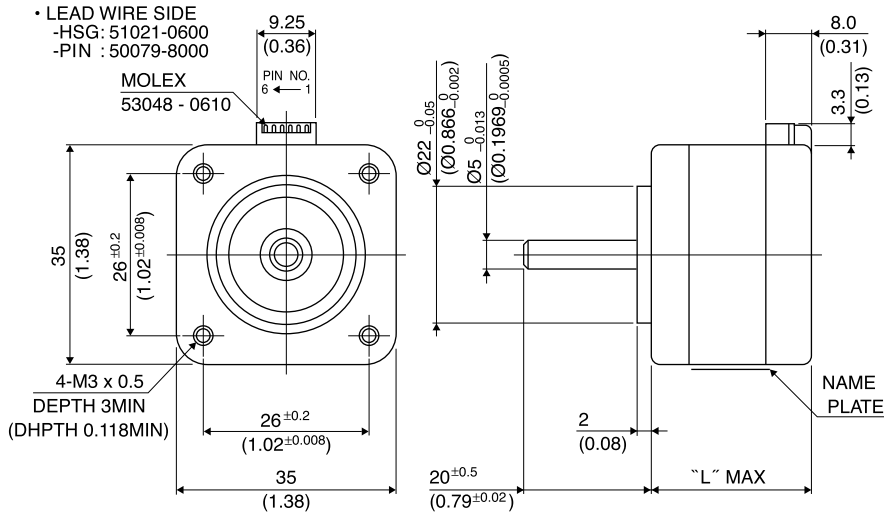


35 3.75°

14PU-M

3.75°

■ 外觀図 Outline



Hybrid

UNIT: mm
(inch)

| | |
|-----------|----------|
| | "L" |
| 14PU-M2** | 22(0.87) |
| 14PU-M0** | 26(1.02) |

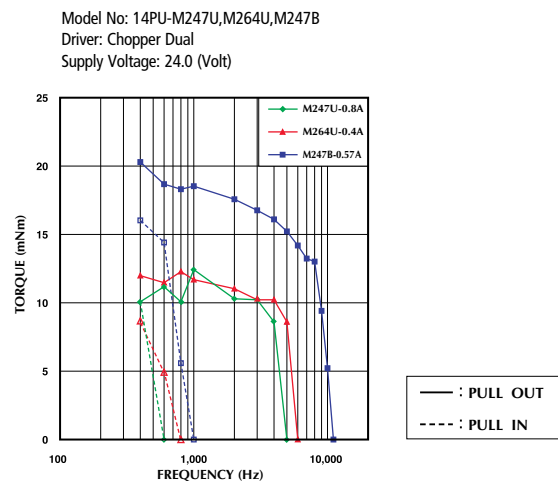
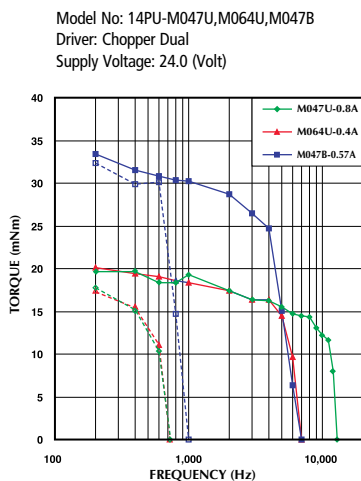
結線表 PIN NO. vs. PHASE

| 相 (PHASE) | A | A COM | \bar{A} | B | B COM | \bar{B} |
|----------------|---|-------|-----------|---|-------|-----------|
| ピン番号 (PIN NO.) | 4 | 5 | 6 | 3 | 2 | 1 |

■ 仕様 Specifications

| 型式 | ステップ角 | ドライブ方式 | 定格電流 | 巻線抵抗 | ホールディングトルク | インダクタンス | ロータイナーシャ | ディテントトルク | 質量 |
|------------|------------|----------------|---------------|------------|----------------|------------|----------------------|---------------|------|
| Model | Step Angle | Drive Sequence | Rated Current | Resistance | Holding Torque | Inductance | Rotor Inertia | Detent Torque | Mass |
| | (deg) | | (A) | (Ohms) | (mNm) | (mH) | (g·cm ²) | (mNm) | (g) |
| 14PU-M047U | 3.75 | UNI-POLAR | 0.8 | 2.4 | 27 | 1.1 | 8 | 6.9 | 120 |
| 14PU-M064U | 3.75 | UNI-POLAR | 0.4 | 9.0 | 27 | 4.2 | 8 | 6.9 | 120 |
| 14PU-M247U | 3.75 | UNI-POLAR | 0.8 | 1.9 | 17 | 0.6 | 5 | 5.9 | 105 |
| 14PU-M264U | 3.75 | UNI-POLAR | 0.4 | 7.0 | 17 | 2.3 | 5 | 5.9 | 105 |
| 14PU-M047B | 3.75 | BI-POLAR | 0.6 | 4.8 | 37 | 4.4 | 8 | 6.9 | 120 |
| 14PU-M247B | 3.75 | BI-POLAR | 0.6 | 3.8 | 22 | 2.4 | 5 | 5.9 | 105 |

■ トルク・スピード特性 Torque/Speed Characteristics

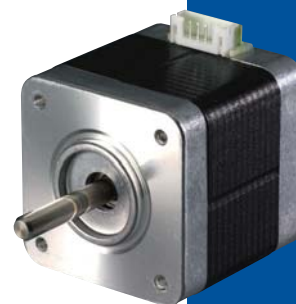
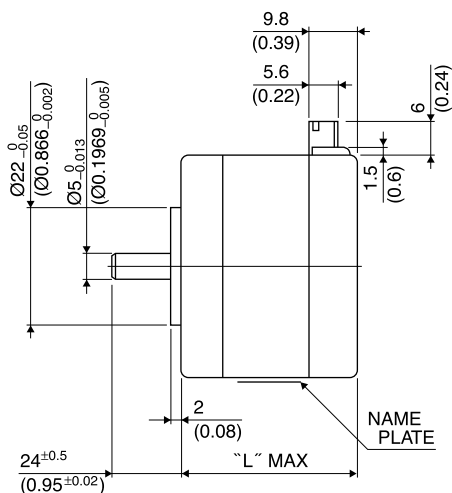
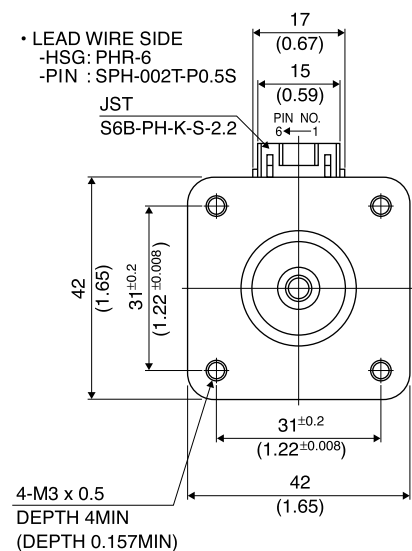


42 0.9°

17PY-Z

0.9°

■ 外観図 Outline



Hybrid

UNIT: mm
(inch)

結線表 PIN NO. vs. PHASE

| 相(PHASE) | A | A COM | \bar{A} | B | B COM | \bar{B} |
|----------------|---|-------|-----------|---|-------|-----------|
| ピン番号 (PIN NO.) | 4 | 5 | 6 | 3 | 2 | 1 |

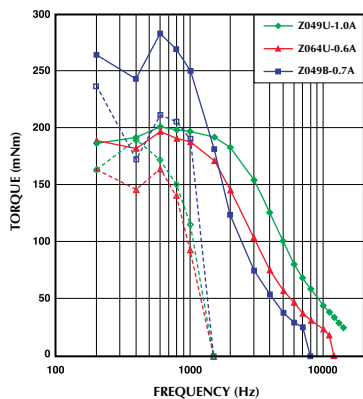
| | "L" |
|-----------|-----------|
| 17PY-Z7** | 26 (1.02) |
| 17PY-Z2** | 30 (1.18) |
| 17PY-Z0** | 34 (1.34) |
| 17PY-Z3** | 38 (1.50) |
| 17PY-Z1** | 42 (1.65) |
| 17PY-Z4** | 48 (1.89) |

■ 仕様 Specifications

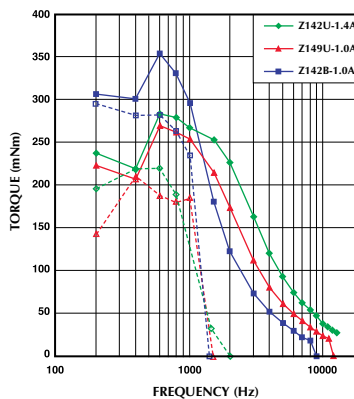
| 型式 | ステップ角 | ドライブ方式 | 定格電流 | 巻線抵抗 | ホールディングトルク | インダクタンス | ロータイナーシャ | デテントトルク | 質量 |
|------------|------------|----------------|---------------|------------|----------------|------------|----------------------|---------------|------|
| Model | Step Angle | Drive Sequence | Rated Current | Resistance | Holding Torque | Inductance | Rotor Inertia | Detent Torque | Mass |
| | (deg) | | (A) | (Ohms) | (mNm) | (mH) | (g·cm ²) | (mNm) | (g) |
| 17PY-Z049U | 0.9 | UNI-POLAR | 1 | 3.1 | 220 | 4.4 | 37 | 10.8 | 200 |
| 17PY-Z064U | 0.9 | UNI-POLAR | 0.6 | 8.3 | 220 | 11.1 | 37 | 10.8 | 200 |
| 17PY-Z142U | 0.9 | UNI-POLAR | 1.4 | 2.3 | 300 | 4.7 | 62 | 11.8 | 300 |
| 17PY-Z149U | 0.9 | UNI-POLAR | 1 | 4.3 | 300 | 8.7 | 62 | 11.8 | 300 |
| 17PY-Z249U | 0.9 | UNI-POLAR | 0.8 | 2.7 | 120 | 3.8 | 24 | 4.4 | 180 |
| 17PY-Z264U | 0.9 | UNI-POLAR | 0.6 | 6.9 | 120 | 2.5 | 24 | 4.4 | 180 |
| 17PY-Z342U | 0.9 | UNI-POLAR | 1.4 | 2.0 | 280 | 3.5 | 50 | 12.0 | 250 |
| 17PY-Z349U | 0.9 | UNI-POLAR | 1 | 3.6 | 280 | 6.5 | 50 | 12.0 | 250 |
| 17PY-Z442U | 0.9 | UNI-POLAR | 1.4 | 2.8 | 450 | 4.5 | 75 | 18.7 | 350 |
| 17PY-Z449U | 0.9 | UNI-POLAR | 1 | 4.9 | 450 | 8.4 | 75 | 18.7 | 350 |
| 17PY-Z749U | 0.9 | UNI-POLAR | 0.9 | 2.2 | 48 | 1.9 | 11 | 3.0 | 150 |
| 17PY-Z764U | 0.9 | UNI-POLAR | 0.6 | 5.6 | 48 | 1.2 | 11 | 3.0 | 150 |
| 17PY-Z049B | 0.9 | BI-POLAR | 0.7 | 6.2 | 270 | 17.5 | 37 | 10.8 | 200 |
| 17PY-Z142B | 0.9 | BI-POLAR | 1 | 4.6 | 390 | 18.6 | 62 | 11.8 | 300 |
| 17PY-Z249B | 0.9 | BI-POLAR | 0.6 | 5.4 | 160 | 15.2 | 24 | 4.4 | 180 |
| 17PY-Z342B | 0.9 | BI-POLAR | 0.9 | 4.0 | 340 | 13.8 | 50 | 12.0 | 250 |
| 17PY-Z442B | 0.9 | BI-POLAR | 0.9 | 5.6 | 540 | 18.0 | 75 | 18.7 | 350 |
| 17PY-Z749B | 0.9 | BI-POLAR | 0.6 | 4.4 | 63 | 7.8 | 11 | 3.0 | 150 |

■ トルク・スピード特性 Torque/Speed Characteristics

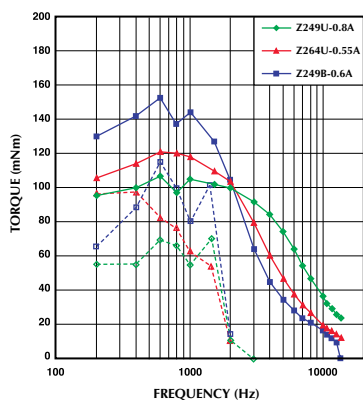
Model No: 17PY-Z049U,Z064U,Z049B
 Driver: Chopper Dual
 Supply Voltage: 24.0 (Volt)



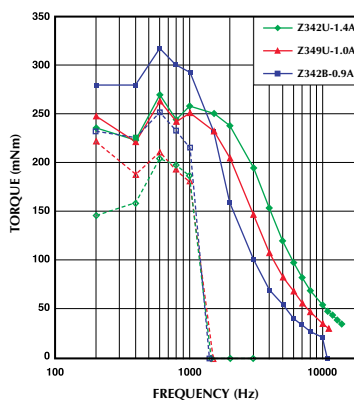
Model No: 17PY-Z142U,Z149U,Z142B
 Driver: Chopper Dual
 Supply Voltage: 24.0 (Volt)



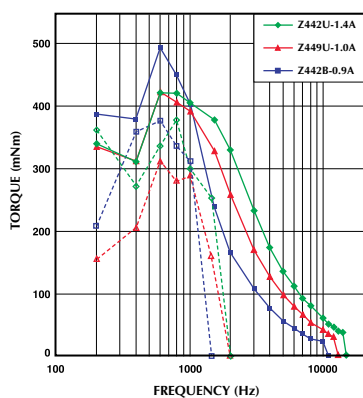
Model No: 17PY-Z249U,Z264U,Z249B
 Driver: Chopper Dual
 Supply Voltage: 24.0 (Volt)



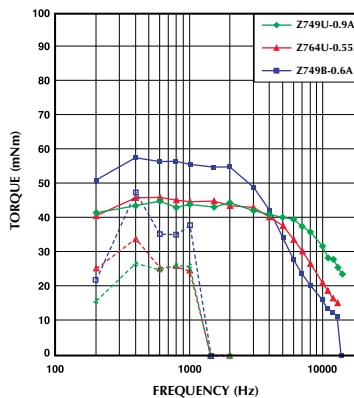
Model No: 17PY-Z342U,Z349U,Z342B
 Driver: Chopper Dual
 Supply Voltage: 24.0 (Volt)



Model No: 17PY-Z442U,Z449U,Z442B
 Driver: Chopper Dual
 Supply Voltage: 24.0 (Volt)



Model No: 17PY-Z749U,Z764U,Z749B
 Driver: Chopper Dual
 Supply Voltage: 24.0 (Volt)



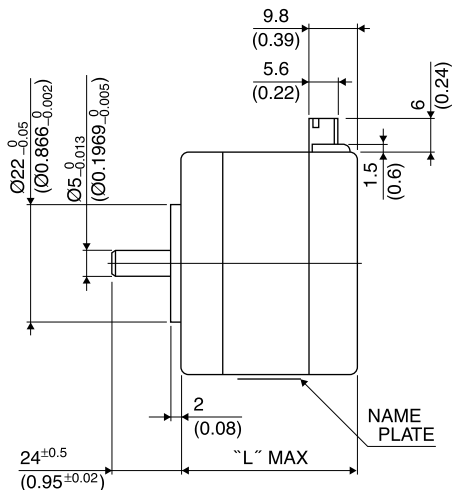
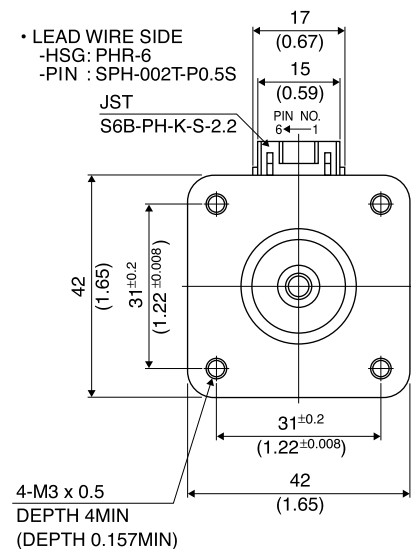
— : PULL OUT
 - - - : PULL IN

42 1.8°

17PM-K

1.8°

■ 外観図 Outline



Hybrid

UNIT: mm (inch)

結線表 PIN NO. vs. PHASE

| 相 (PHASE) | A | A COM | \bar{A} | B | B COM | \bar{B} |
|----------------|---|-------|-----------|---|-------|-----------|
| ピン番号 (PIN NO.) | 4 | 5 | 6 | 3 | 2 | 1 |

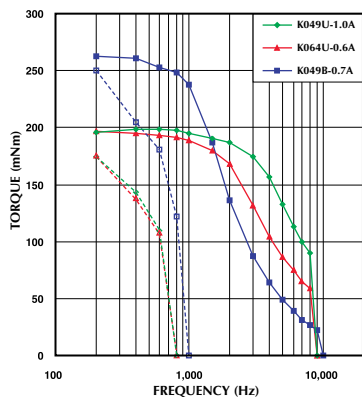
| | "L" |
|-----------|-----------|
| 17PM-K7** | 26 (1.02) |
| 17PM-K2** | 30 (1.18) |
| 17PM-K0** | 34 (1.34) |
| 17PM-K3** | 38 (1.50) |
| 17PM-K1** | 42 (1.65) |
| 17PM-K4** | 48 (1.89) |

■ 仕様 Specifications

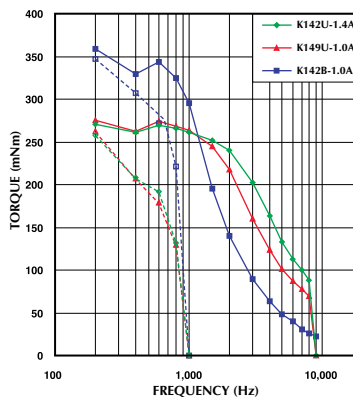
| 型式 | ステップ角 | ドライブ方式 | 定格電流 | 巻線抵抗 | ホールディングトルク | インダクタンス | ロータイナーシャ | デイトントルク | 質量 |
|------------|------------|----------------|---------------|------------|----------------|------------|----------------------|---------------|------|
| Model | Step Angle | Drive Sequence | Rated Current | Resistance | Holding Torque | Inductance | Rotor Inertia | Detent Torque | Mass |
| | (deg) | | (A) | (Ohms) | (mNm) | (mH) | (g·cm ²) | (mNm) | (g) |
| 17PM-K049U | 1.8 | UNI-POLAR | 1 | 3.1 | 200 | 3.2 | 37 | 10.8 | 200 |
| 17PM-K064U | 1.8 | UNI-POLAR | 0.6 | 8.3 | 200 | 8.1 | 37 | 10.8 | 200 |
| 17PM-K142U | 1.8 | UNI-POLAR | 1.4 | 2.3 | 280 | 3.2 | 62 | 11.8 | 300 |
| 17PM-K149U | 1.8 | UNI-POLAR | 1 | 4.3 | 280 | 6.0 | 62 | 11.8 | 300 |
| 17PM-K249U | 1.8 | UNI-POLAR | 0.8 | 2.7 | 100 | 3.0 | 24 | 4.3 | 180 |
| 17PM-K264U | 1.8 | UNI-POLAR | 0.6 | 6.9 | 100 | 7.4 | 24 | 4.3 | 180 |
| 17PM-K342U | 1.8 | UNI-POLAR | 1.4 | 2.0 | 250 | 2.5 | 50 | 11.3 | 250 |
| 17PM-K349U | 1.8 | UNI-POLAR | 1 | 3.6 | 250 | 4.7 | 50 | 11.3 | 250 |
| 17PM-K442U | 1.8 | UNI-POLAR | 1.4 | 2.8 | 400 | 3.4 | 75 | 16.7 | 350 |
| 17PM-K449U | 1.8 | UNI-POLAR | 1 | 4.9 | 400 | 6.5 | 75 | 16.7 | 350 |
| 17PM-K749U | 1.8 | UNI-POLAR | 0.9 | 2.2 | 50 | 0.4 | 11 | 2.8 | 150 |
| 17PM-K764U | 1.8 | UNI-POLAR | 0.6 | 5.6 | 50 | 1.0 | 11 | 2.8 | 150 |
| 17PM-K049B | 1.8 | BI-POLAR | 0.7 | 6.2 | 270 | 12.8 | 37 | 10.8 | 200 |
| 17PM-K142B | 1.8 | BI-POLAR | 1 | 4.6 | 380 | 12.9 | 62 | 11.8 | 300 |
| 17PM-K249B | 1.8 | BI-POLAR | 0.6 | 5.4 | 140 | 12.0 | 24 | 4.3 | 180 |
| 17PM-K342B | 1.8 | BI-POLAR | 0.9 | 4.0 | 310 | 9.9 | 50 | 11.3 | 250 |
| 17PM-K442B | 1.8 | BI-POLAR | 0.9 | 5.6 | 500 | 13.6 | 75 | 16.7 | 350 |
| 17PM-K749B | 1.8 | BI-POLAR | 0.6 | 4.4 | 65 | 1.6 | 11 | 2.8 | 150 |

■ トルク・スピード特性 Torque/Speed Characteristics

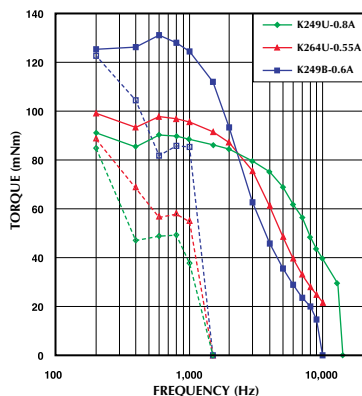
Model No: 17PM-K049U,K064U,K049B
 Driver: Chopper Dual
 Supply Voltage: 24.0 (Volt)



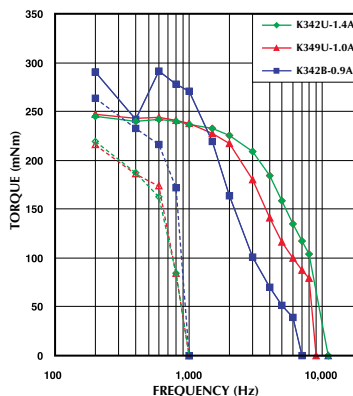
Model No: 17PM-K142U,K149U,K142B
 Driver: Chopper Dual
 Supply Voltage: 24.0 (Volt)



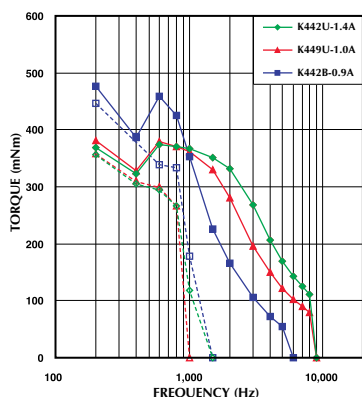
Model No: 17PM-K249U,K264U,K249B
 Driver: Chopper Dual
 Supply Voltage: 24.0 (Volt)



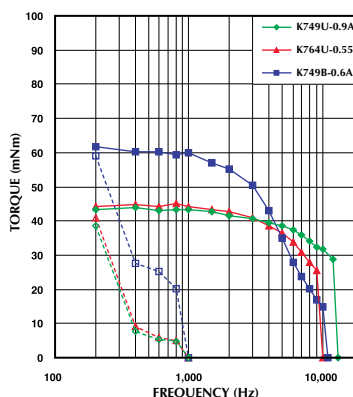
Model No: 17PM-K342U,K349U,K342B
 Driver: Chopper Dual
 Supply Voltage: 24.0 (Volt)



Model No: 17PM-K442U,K449U,K442B
 Driver: Chopper Dual
 Supply Voltage: 24.0 (Volt)



Model No: 17PM-K749U,K764U,K749B
 Driver: Chopper Dual
 Supply Voltage: 24.0 (Volt)



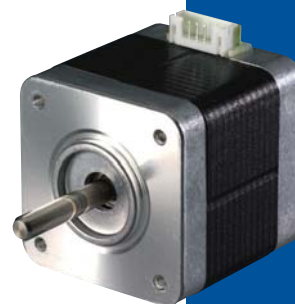
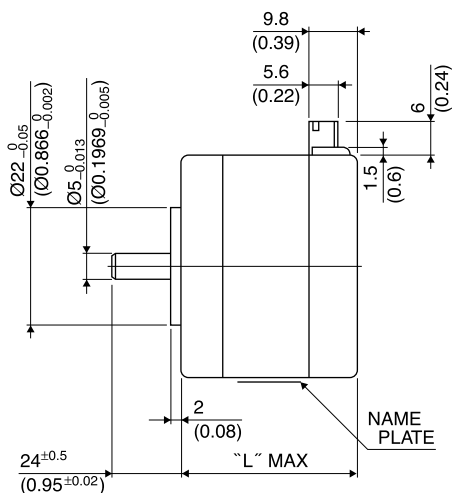
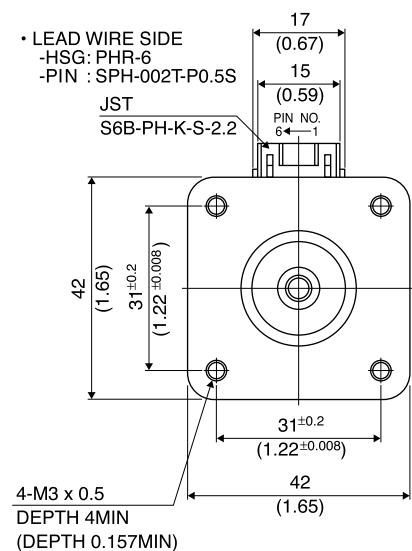
— : PULL OUT
 - - - : PULL IN

42 □ 1.8°

17PM-J

1.8°

■ 外観図 Outline



Hybrid

UNIT: mm (inch)

結線表 PIN NO. vs. PHASE

| 相 (PHASE) | A | A COM | \bar{A} | B | B COM | \bar{B} |
|----------------|---|-------|-----------|---|-------|-----------|
| ピン番号 (PIN NO.) | 4 | 5 | 6 | 3 | 2 | 1 |

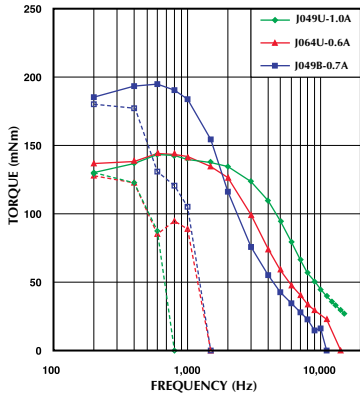
| | "L" |
|-----------|-----------|
| 17PM-J7** | 26 (1.02) |
| 17PM-J2** | 30 (1.18) |
| 17PM-J0** | 34 (1.34) |
| 17PM-J3** | 38 (1.50) |
| 17PM-J1** | 42 (1.65) |
| 17PM-J4** | 48 (1.89) |

■ 仕様 Specifications

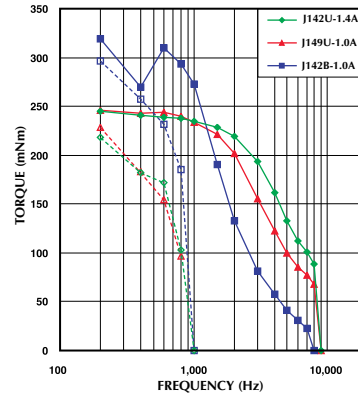
| 型式 | ステップ角 | ドライブ方式 | 定格電流 | 巻線抵抗 | ホールディングトルク | インダクタンス | ロータイナーシャ | ディテントトルク | 質量 |
|------------|------------|----------------|---------------|------------|----------------|------------|----------------------|---------------|------|
| Model | Step Angle | Drive Sequence | Rated Current | Resistance | Holding Torque | Inductance | Rotor Inertia | Detent Torque | Mass |
| | (deg) | | (A) | (Ohms) | (mNm) | (mH) | (g·cm ²) | (mNm) | (g) |
| 17PM-J049U | 1.8 | UNI-POLAR | 1 | 3.1 | 160 | 3.3 | 26 | 9.8 | 200 |
| 17PM-J064U | 1.8 | UNI-POLAR | 0.6 | 8.3 | 160 | 8.2 | 26 | 9.8 | 200 |
| 17PM-J142U | 1.8 | UNI-POLAR | 1.4 | 2.3 | 250 | 3.1 | 44 | 8.3 | 300 |
| 17PM-J149U | 1.8 | UNI-POLAR | 1 | 4.3 | 250 | 5.9 | 44 | 8.3 | 300 |
| 17PM-J249U | 1.8 | UNI-POLAR | 0.8 | 2.7 | 85 | 2.6 | 17 | 3.9 | 180 |
| 17PM-J264U | 1.8 | UNI-POLAR | 0.6 | 6.9 | 85 | 6.7 | 17 | 3.9 | 180 |
| 17PM-J342U | 1.8 | UNI-POLAR | 1.4 | 2.0 | 210 | 2.4 | 35 | 7.9 | 250 |
| 17PM-J349U | 1.8 | UNI-POLAR | 1 | 3.6 | 210 | 4.7 | 35 | 7.9 | 250 |
| 17PM-J442U | 1.8 | UNI-POLAR | 1.4 | 2.8 | 320 | 3.3 | 54 | 14.7 | 350 |
| 17PM-J449U | 1.8 | UNI-POLAR | 1 | 4.9 | 320 | 6.3 | 54 | 14.7 | 350 |
| 17PM-J749U | 1.8 | UNI-POLAR | 0.9 | 2.2 | 35 | 1.4 | 8 | 2.8 | 150 |
| 17PM-J764U | 1.8 | UNI-POLAR | 0.6 | 5.6 | 35 | 0.9 | 8 | 2.8 | 150 |
| 17PM-J049B | 1.8 | BI-POLAR | 0.7 | 6.2 | 205 | 13.0 | 26 | 9.8 | 200 |
| 17PM-J142B | 1.8 | BI-POLAR | 1 | 4.6 | 320 | 12.5 | 44 | 8.3 | 300 |
| 17PM-J249B | 1.8 | BI-POLAR | 0.6 | 5.4 | 120 | 10.4 | 17 | 3.9 | 180 |
| 17PM-J342B | 1.8 | BI-POLAR | 0.9 | 4.0 | 260 | 9.7 | 35 | 7.9 | 250 |
| 17PM-J442B | 1.8 | BI-POLAR | 0.9 | 5.6 | 390 | 13.2 | 54 | 14.7 | 350 |
| 17PM-J749B | 1.8 | BI-POLAR | 0.6 | 4.4 | 53 | 5.8 | 8 | 2.8 | 150 |

■ トルク・スピード特性 Torque/Speed Characteristics

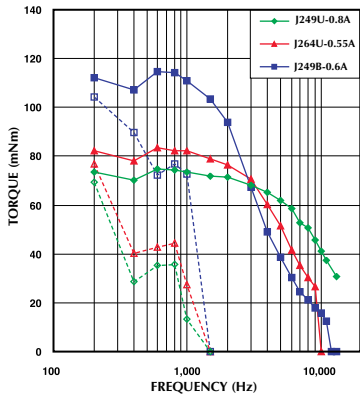
Model No: 17PM-J049U,M064U,J049B
 Driver: Chopper Dual
 Supply Voltage: 24.0 (Volt)



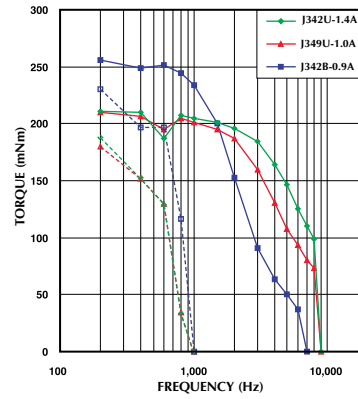
Model No: 17PM-J142U,J149U,J142B
 Driver: Chopper Dual
 Supply Voltage: 24.0 (Volt)



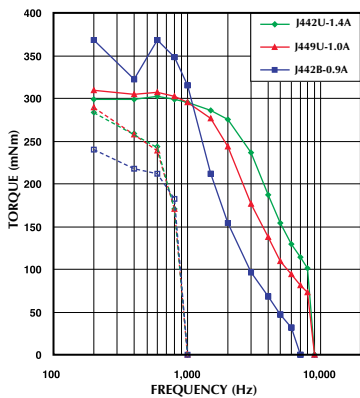
Model No: 17PM-J249U,J264U,J249B
 Driver: Chopper Dual
 Supply Voltage: 24.0 (Volt)



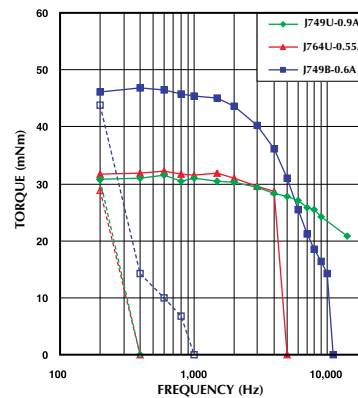
Model No: 17PM-J342U,J349U,J342B
 Driver: Chopper Dual
 Supply Voltage: 24.0 (Volt)



Model No: 17PM-J442U,J449U,J442B
 Driver: Chopper Dual
 Supply Voltage: 24.0 (Volt)



Model No: 17PM-J749U,J764U,J749B
 Driver: Chopper Dual
 Supply Voltage: 24.0 (Volt)



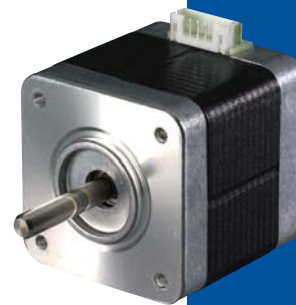
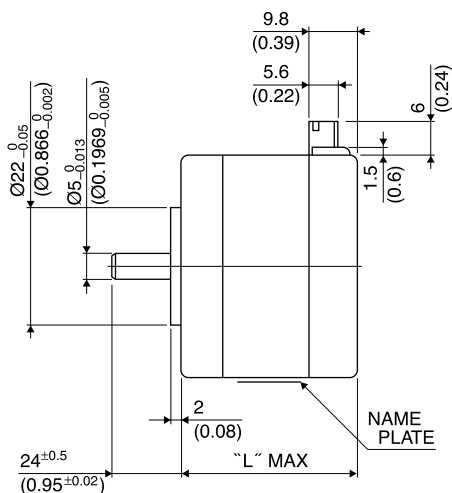
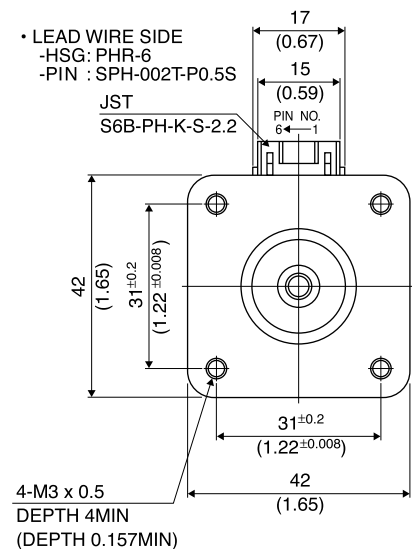
— : PULL OUT
 - - - : PULL IN

42 □ 3.75°

17PU-H

3.75°

■ 外觀図 Outline



Hybrid

UNIT: mm (inch)

結線表 PIN NO. vs. PHASE

| 相 (PHASE) | A | A COM | \bar{A} | B | B COM | \bar{B} |
|----------------|---|-------|-----------|---|-------|-----------|
| ピン番号 (PIN NO.) | 4 | 5 | 6 | 3 | 2 | 1 |

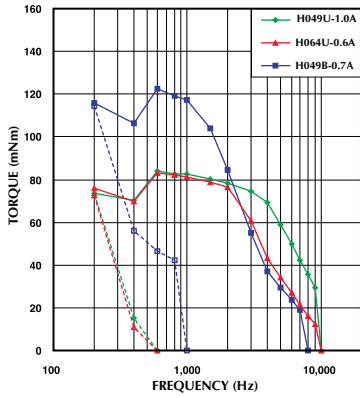
| | "L" |
|-----------|-----------|
| 17PU-H7** | 26 (1.02) |
| 17PU-H2** | 30 (1.18) |
| 17PU-H0** | 34 (1.34) |
| 17PU-H3** | 38 (1.50) |
| 17PU-H1** | 42 (1.65) |
| 17PU-H4** | 48 (1.89) |

■ 仕様 Specifications

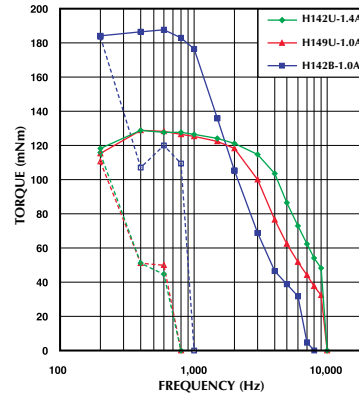
| 型式 | ステップ角 | ドライブ方式 | 定格電流 | 巻線抵抗 | ホールディングトルク | インダクタンス | ロータイナーシャ | デテントトルク | 質量 |
|------------|------------|----------------|---------------|------------|----------------|------------|----------------------|---------------|------|
| Model | Step Angle | Drive Sequence | Rated Current | Resistance | Holding Torque | Inductance | Rotor Inertia | Detent Torque | Mass |
| | (deg) | | (A) | (Ohms) | (mNm) | (mH) | (g·cm ²) | (mNm) | (g) |
| 17PU-H049U | 3.75 | UNI-POLAR | 1 | 3.1 | 105 | 2.5 | 37 | 25.5 | 200 |
| 17PU-H064U | 3.75 | UNI-POLAR | 0.6 | 8.3 | 105 | 6.4 | 37 | 25.5 | 200 |
| 17PU-H142U | 3.75 | UNI-POLAR | 1.4 | 2.3 | 150 | 2.2 | 62 | 26.5 | 300 |
| 17PU-H149U | 3.75 | UNI-POLAR | 1 | 4.3 | 150 | 4.3 | 62 | 26.5 | 300 |
| 17PU-H249U | 3.75 | UNI-POLAR | 0.8 | 2.7 | 50 | 2.1 | 24 | 8.2 | 180 |
| 17PU-H264U | 3.75 | UNI-POLAR | 0.6 | 6.9 | 50 | 5.3 | 24 | 8.2 | 180 |
| 17PU-H342U | 3.75 | UNI-POLAR | 1.4 | 2.0 | 140 | 1.7 | 50 | 29.4 | 250 |
| 17PU-H349U | 3.75 | UNI-POLAR | 1 | 3.6 | 140 | 3.3 | 50 | 29.4 | 250 |
| 17PU-H442U | 3.75 | UNI-POLAR | 1.4 | 2.8 | 190 | 2.5 | 75 | 44.1 | 350 |
| 17PU-H449U | 3.75 | UNI-POLAR | 1 | 4.9 | 190 | 5.0 | 75 | 44.1 | 350 |
| 17PU-H749U | 3.75 | UNI-POLAR | 0.9 | 2.2 | 23 | 1.4 | 11 | 2.4 | 150 |
| 17PU-H764U | 3.75 | UNI-POLAR | 0.6 | 5.6 | 23 | 3.3 | 11 | 2.4 | 150 |
| 17PU-H049B | 3.75 | BI-POLAR | 0.7 | 6.2 | 145 | 10.1 | 37 | 25.5 | 200 |
| 17PU-H142B | 3.75 | BI-POLAR | 1 | 4.6 | 200 | 9.0 | 62 | 26.5 | 300 |
| 17PU-H249B | 3.75 | BI-POLAR | 0.6 | 5.4 | 73 | 8.5 | 24 | 8.2 | 180 |
| 17PU-H342B | 3.75 | BI-POLAR | 0.9 | 4.0 | 170 | 6.9 | 50 | 29.4 | 250 |
| 17PU-H442B | 3.75 | BI-POLAR | 0.9 | 5.6 | 250 | 10.0 | 75 | 44.1 | 350 |
| 17PU-H749B | 3.75 | BI-POLAR | 0.6 | 4.4 | 32 | 5.4 | 11 | 2.4 | 150 |

■ トルク・スピード特性 Torque/Speed Characteristics

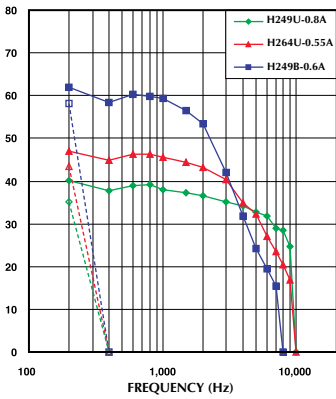
Model No: 17PU-H049U,H064U,H049B
 Driver: Chopper Dual
 Supply Voltage: 24.0 (Volt)



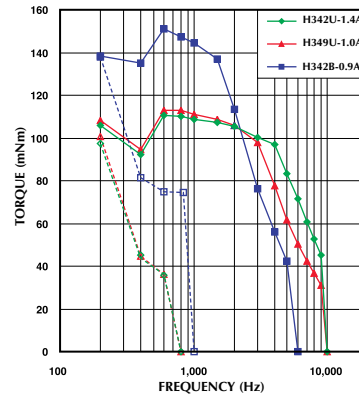
Model No: 17PU-H142U,H149U,H142B
 Driver: Chopper Dual
 Supply Voltage: 24.0 (Volt)



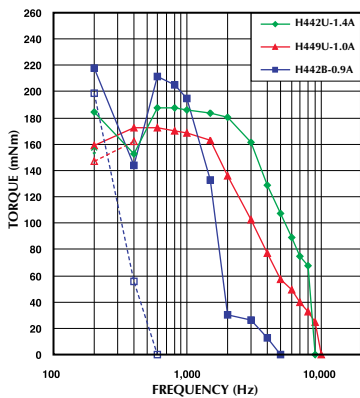
Model No: 17PU-H249U,H264U,H249B
 Driver: Chopper Dual
 Supply Voltage: 24.0 (Volt)



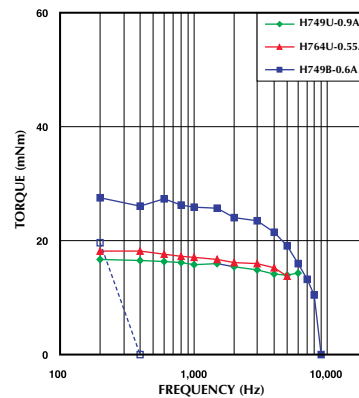
Model No: 17PU-H342U,H349U,H342B
 Driver: Chopper Dual
 Supply Voltage: 24.0 (Volt)



Model No: 17PU-H442U,H449U,H442B
 Driver: Chopper Dual
 Supply Voltage: 24.0 (Volt)



Model No: 17PU-H749U,H764U,H749B
 Driver: Chopper Dual
 Supply Voltage: 24.0 (Volt)



— : PULL OUT
 - - - : PULL IN

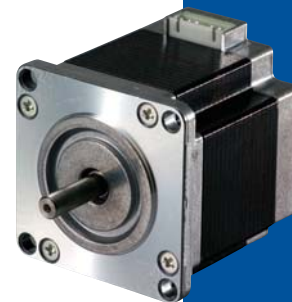
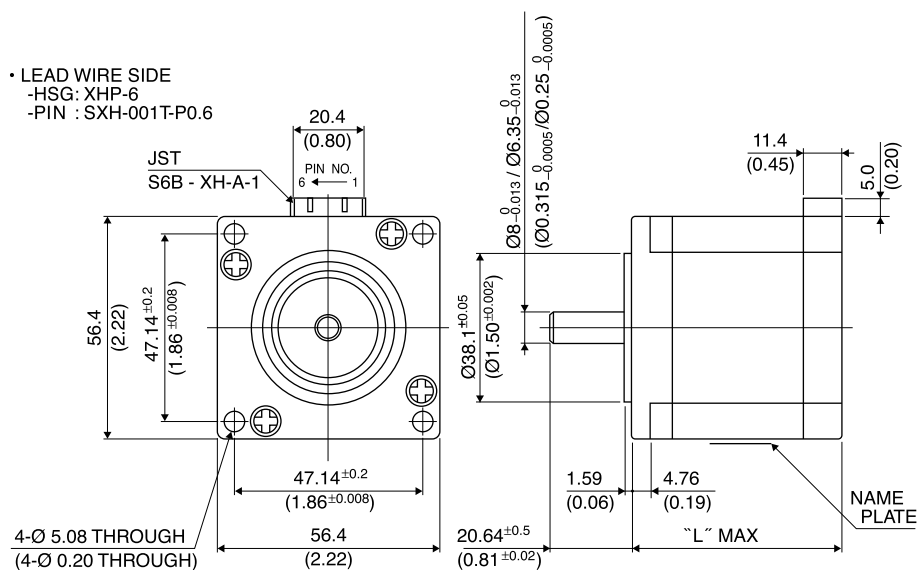
56□ 1.8°

23KM-K

1.8°

■ 外觀図 Outline

- LEAD WIRE SIDE
- HSG: XHP-6
- PIN : SXH-001T-P0.6



Hybrid

UNIT: mm
(inch)

結線表 PIN NO. vs. PHASE

| 相 (PHASE) | A | A COM | \bar{A} | B | B COM | \bar{B} |
|----------------|---|-------|-----------|---|-------|-----------|
| ピン番号 (PIN NO.) | 1 | 2 | 3 | 4 | 5 | 6 |

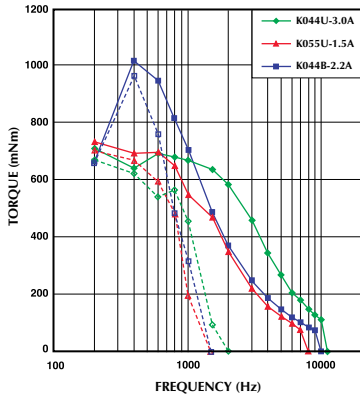
| | "L" |
|-----------|-----------|
| 23KM-K2** | 42 (1.65) |
| 23KM-K3** | 50 (1.97) |
| 23KM-K0** | 54 (2.13) |
| 23KM-K1** | 67 (2.64) |
| 23KM-K7** | 76 (2.99) |

■ 仕様 Specifications

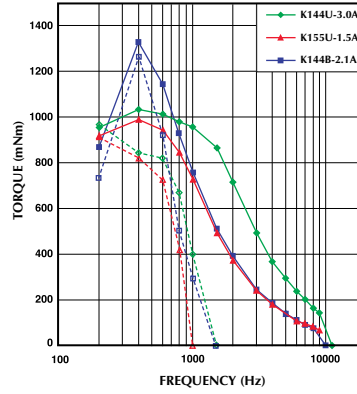
| 型式 | ステップ角 | ドライブ方式 | 定格電流 | 巻線抵抗 | ホールディングトルク | インダクタンス | ロータイナーシャ | デイトントルク | 質量 |
|------------|------------|----------------|---------------|------------|----------------|------------|----------------------|---------------|------|
| Model | Step Angle | Drive Sequence | Rated Current | Resistance | Holding Torque | Inductance | Rotor Inertia | Detent Torque | Mass |
| | (deg) | | (A) | (Ohms) | (mNm) | (mH) | (g·cm ²) | (mNm) | (g) |
| 23KM-K044U | 1.8 | UNI-POLAR | 3 | 0.85 | 760 | 1.8 | 200 | 25 | 680 |
| 23KM-K055U | 1.8 | UNI-POLAR | 1.5 | 3.3 | 760 | 6.7 | 200 | 25 | 680 |
| 23KM-K144U | 1.8 | UNI-POLAR | 3 | 1.0 | 1050 | 2.2 | 290 | 49 | 900 |
| 23KM-K155U | 1.8 | UNI-POLAR | 1.5 | 3.9 | 1050 | 8.0 | 290 | 49 | 900 |
| 23KM-K249U | 1.8 | UNI-POLAR | 2 | 1.2 | 420 | 1.9 | 120 | 20 | 470 |
| 23KM-K255U | 1.8 | UNI-POLAR | 1.5 | 2.3 | 420 | 3.6 | 120 | 20 | 470 |
| 23KM-K349U | 1.8 | UNI-POLAR | 2 | 1.5 | 650 | 2.9 | 180 | 29 | 590 |
| 23KM-K355U | 1.8 | UNI-POLAR | 1.5 | 2.9 | 650 | 5.5 | 180 | 29 | 590 |
| 23KM-K744U | 1.8 | UNI-POLAR | 3 | 1.15 | 1200 | 2.7 | 360 | 51 | 1050 |
| 23KM-K755U | 1.8 | UNI-POLAR | 1.5 | 4.6 | 1200 | 10.2 | 360 | 51 | 1050 |
| 23KM-K044B | 1.8 | BI-POLAR | 2.2 | 1.7 | 1000 | 7.2 | 200 | 25 | 680 |
| 23KM-K144B | 1.8 | BI-POLAR | 2.1 | 2.0 | 1250 | 8.7 | 290 | 49 | 900 |
| 23KM-K249B | 1.8 | BI-POLAR | 1.4 | 2.4 | 540 | 7.7 | 120 | 20 | 470 |
| 23KM-K349B | 1.8 | BI-POLAR | 1.4 | 3.0 | 800 | 11.8 | 180 | 29 | 590 |
| 23KM-K744B | 1.8 | BI-POLAR | 2 | 2.3 | 1500 | 10.6 | 360 | 51 | 1050 |

■ トルク・スピード特性 Torque/Speed Characteristics

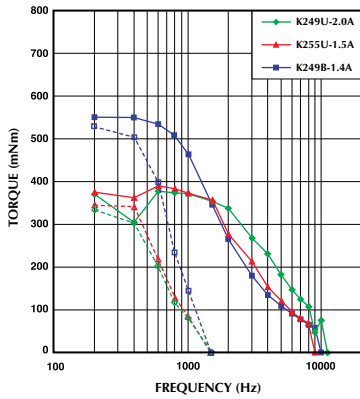
Model No: 23KM-K044U,K055U,K044B
 Driver: Chopper Dual
 Supply Voltage: 24.0 (Volt)



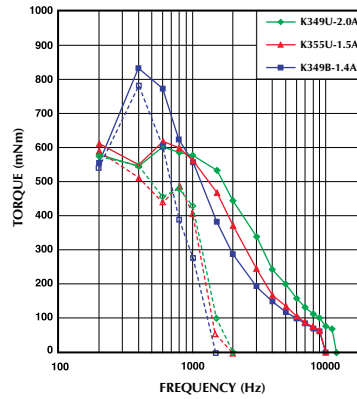
Model No: 23KM-K144U,K155U,K144B
 Driver: Chopper Dual
 Supply Voltage: 24.0 (Volt)



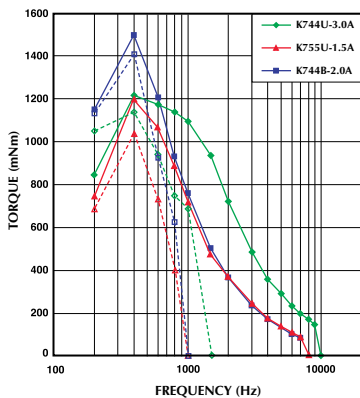
Model No: 23KM-K249U,K255U,K249B
 Driver: Chopper Dual
 Supply Voltage: 24.0 (Volt)



Model No: 23KM-K349U,K355U,K349B
 Driver: Chopper Dual
 Supply Voltage: 24.0 (Volt)



Model No: 23KM-K744U,K755U,K744B
 Driver: Chopper Dual
 Supply Voltage: 24.0 (Volt)



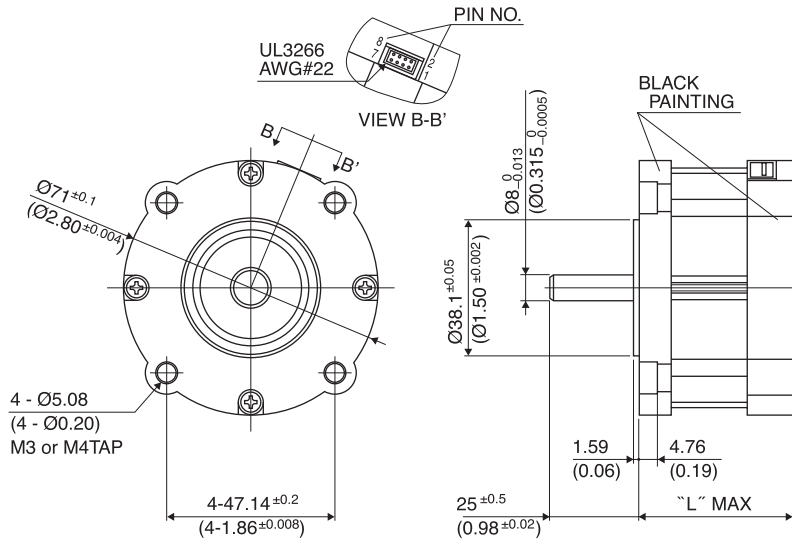
— : PULL OUT
 - - - : PULL IN

71 \circ 1.8 \circ

29SM-K

1.8 \circ

■ 外観図 Outline



Hybrid

UNIT: mm
(inch)

| | "L" |
|-----------|-------------|
| 29SM-K5** | 39.5 (1.56) |
| 29SM-K2** | 43.5 (1.71) |
| 29SM-K3** | 51.5 (2.03) |
| 29SM-K0** | 55.5 (2.19) |
| 29SM-K1** | 67.5 (2.66) |
| 29SM-K7** | 77.5 (3.05) |

結線表 L/W COLOR vs. PHASE

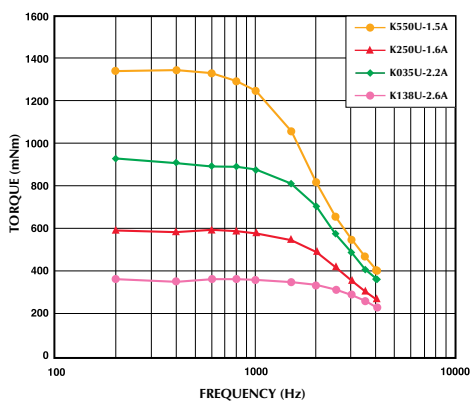
| 相 (PHASE) | A | A COM | \bar{A} | B | B COM | \bar{B} |
|-------------------|---------|---------|-----------|---------|---------|-----------|
| リード線色 (L/W COLOR) | 赤 (RED) | 黒 (BLK) | 黄 (YEL) | 青 (BLU) | 白 (WHT) | 橙 (ORG) |

■ 仕様 Specifications

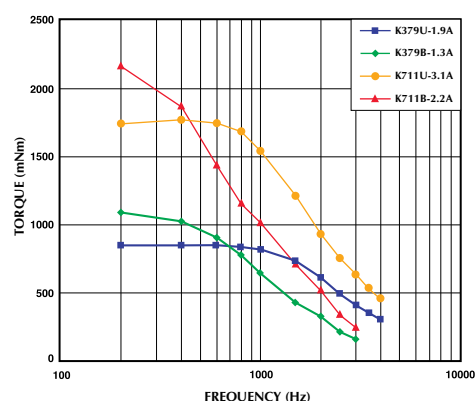
| 型式 | ステップ角 | ドライブ方式 | 定格電流 | 巻線抵抗 | ホールディングトルク | インダクタンス | ロータイナーシャ | ディテントトルク | 質量 |
|------------|------------|----------------|---------------|------------|----------------|------------|----------------------|---------------|------|
| Model | Step Angle | Drive Sequence | Rated Current | Resistance | Holding Torque | Inductance | Rotor Inertia | Detent Torque | Mass |
| | (deg) | | (A) | (Ohms) | (mNm) | (mH) | (g·cm ²) | (mNm) | (g) |
| 29SM-K550U | 1.8 | UNI-POLAR | 1.5 | 2.1 | 380 | 3.2 | 165 | 12 | 570 |
| 29SM-K250U | 1.8 | UNI-POLAR | 1.6 | 2 | 580 | 3.9 | 220 | 22 | 660 |
| 29SM-K379U | 1.8 | UNI-POLAR | 1.9 | 1.75 | 820 | 3.9 | 330 | 30 | 820 |
| 29SM-K035U | 1.8 | UNI-POLAR | 2.2 | 1.55 | 900 | 3.1 | 390 | 35 | 900 |
| 29SM-K138U | 1.8 | UNI-POLAR | 2.6 | 1.25 | 1200 | 3.3 | 515 | 40 | 1180 |
| 29SM-K711U | 1.8 | UNI-POLAR | 3.1 | 0.95 | 1550 | 2.6 | 660 | 45 | 1390 |
| 29SM-K379B | 1.8 | BI-POLAR | 1.3 | 3.6 | 1100 | 11 | 330 | 30 | 820 |
| 29SM-K711B | 1.8 | BI-POLAR | 2.2 | 2 | 2100 | 8.3 | 660 | 45 | 1390 |

■ トルク・スピード特性 Torque/Speed Characteristics

Motor Type: 29SM-K035U, K138U, K250U, K550U
Driver: Chopper Dual
Supply Voltage: 24 V (DC)



Motor Type: 29SM-K379U, K711U, K379B, K711B
Driver: Chopper Dual
Supply Voltage: 24 V (DC)

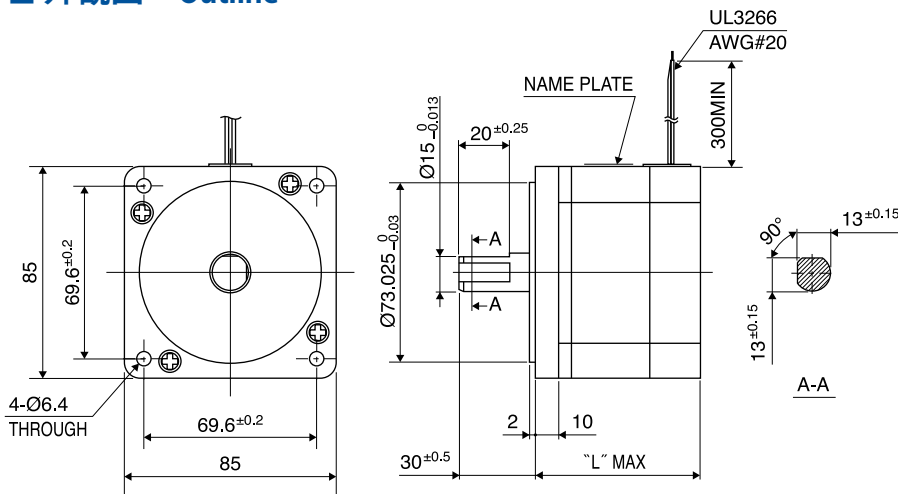


85 1.8°

34KM-K

1.8°

■ 外觀図 Outline



Hybrid

UNIT: $\frac{\text{mm}}{\text{(inch)}}$

| | "L" |
|------------|-----------|
| 34KM-K006U | 66(2.60) |
| 34KM-K106U | 96(3.78) |
| 34KM-K206U | 126(4.96) |
| 34KM-K006B | 66(2.60) |
| 34KM-K106B | 96(3.78) |
| 34KM-K206B | 126(4.96) |

結線表 PIN NO. vs. PHASE

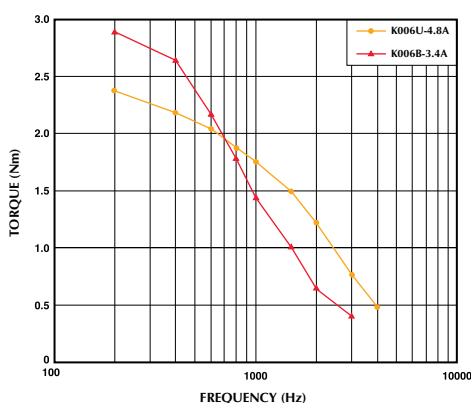
| 相 (PHASE) | A | A COM | \bar{A} | B | B COM | \bar{B} |
|-------------------|---------|---------|-----------|---------|---------|-----------|
| リード線色 (L/W COLOR) | 赤 (RED) | 黒 (BLK) | 黄 (YEL) | 青 (BLU) | 白 (WHT) | 橙 (ORG) |

■ 仕様 Specifications

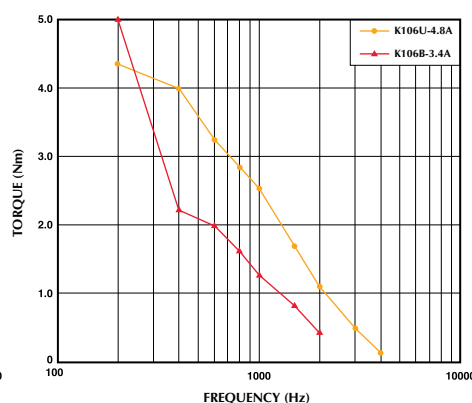
| 型式 | ステップ角 | ドライブ方式 | 定格電流 | 巻線抵抗 | ホールディングトルク | インダクタンス | ロータイナーシャ | ディテントトルク | 質量 |
|------------|------------|----------------|---------------|------------|----------------|------------|----------------------|---------------|------|
| Model | Step Angle | Drive Sequence | Rated Current | Resistance | Holding Torque | Inductance | Rotor Inertia | Detent Torque | Mass |
| | (deg) | | (A) | (Ohms) | (mNm) | (mH) | (g·cm ²) | (mNm) | (g) |
| 34KM-K006U | 1.8 | UNI-POLAR | 4.8 | 0.45 | 2500 | 2.0 | 1200 | 90 | 1800 |
| 34KM-K106U | 1.8 | UNI-POLAR | 4.8 | 0.65 | 4800 | 4.0 | 2400 | 140 | 2900 |
| 34KM-K206U | 1.8 | UNI-POLAR | 4.8 | 0.85 | 6700 | 6.0 | 3700 | 190 | 4000 |
| 34KM-K006B | 1.8 | BI-POLAR | 3.4 | 0.9 | 3300 | 8.2 | 1200 | 90 | 1800 |
| 34KM-K106B | 1.8 | BI-POLAR | 3.4 | 1.3 | 6400 | 15.8 | 2400 | 140 | 2900 |
| 34KM-K206B | 1.8 | BI-POLAR | 3.4 | 1.7 | 9200 | 25.2 | 3700 | 190 | 4000 |

■ トルク・スピード特性 Torque/Speed Characteristics

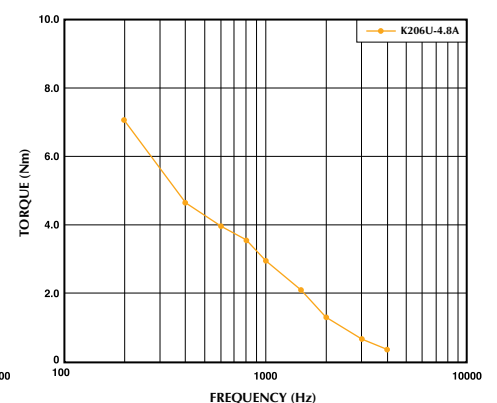
Model No: 34KM-K006U/34KM-K006B
Driver: Chopper Dual
Supply Voltage: 24.0 (Volt)



Model No: 34KM-K106U/34KM-K106B
Driver: Chopper Dual
Supply Voltage: 24.0 (Volt)



Model No: 34KM-K206U
Driver: Chopper Dual
Supply Voltage: 24.0 (Volt)



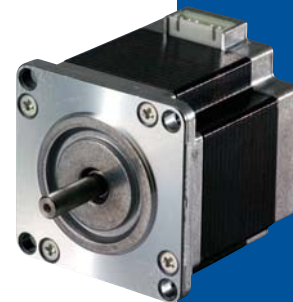
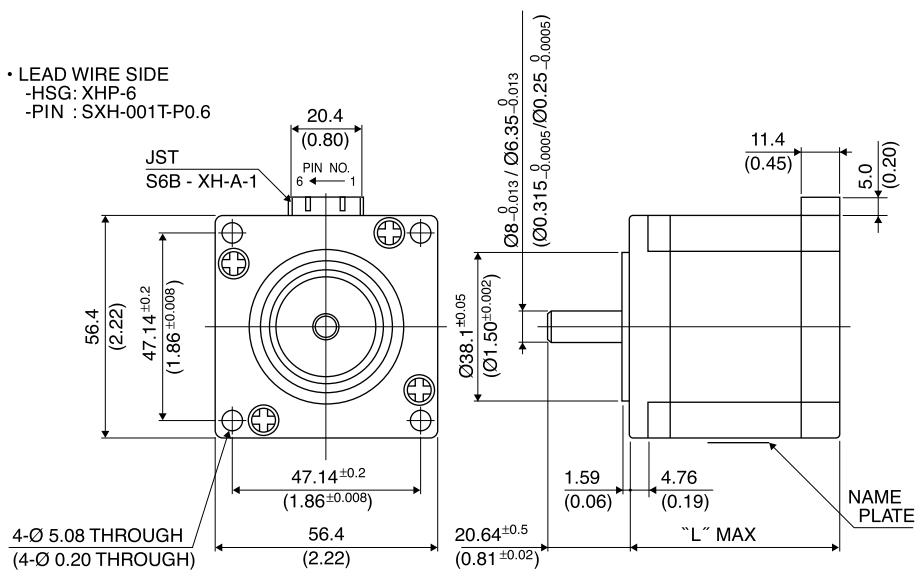
— : PULL OUT

56□ 252ステップ

23KL

■ 外観図 Outline

- LEAD WIRE SIDE
- HSG: XHP-6
- PIN : SXH-001T-P0.6



Hybrid

UNIT: mm
(inch)

| | "L" |
|-----------|----------|
| 23KL-C2** | 42(1.65) |

結線表 PIN NO. vs. PHASE

| 相 (PHASE) | A | A COM | \bar{A} | B | B COM | \bar{B} |
|----------------|---|-------|-----------|---|-------|-----------|
| ピン番号 (PIN NO.) | 1 | 2 | 3 | 4 | 5 | 6 |

■ 仕様 Specifications

| 型式 | ステップ角 | ドライブ方式 | 定格電流 | 巻線抵抗 | ホールディングトルク | インダクタンス | ロータイナーシャ | ディテントトルク | 質量 |
|------------|--------------|----------------|---------------|------------|----------------|------------|----------------------|---------------|------|
| Model | Step Angle | Drive Sequence | Rated Current | Resistance | Holding Torque | Inductance | Rotor Inertia | Detent Torque | Mass |
| | (deg) | | (A) | (Ohms) | (mNm) | (mH) | (g·cm ²) | (mNm) | (g) |
| 23KL-C297U | 252step/rev. | UNI-POLAR | 0.3 | 80 | 600 | 110 | 120 | 80 | 470 |

■ トルク・スピード特性 Torque/Speed Characteristics

Model No: 23KL-C297U
Driver: Chopper Dual
Supply Voltage: 24.0 (Volt)

