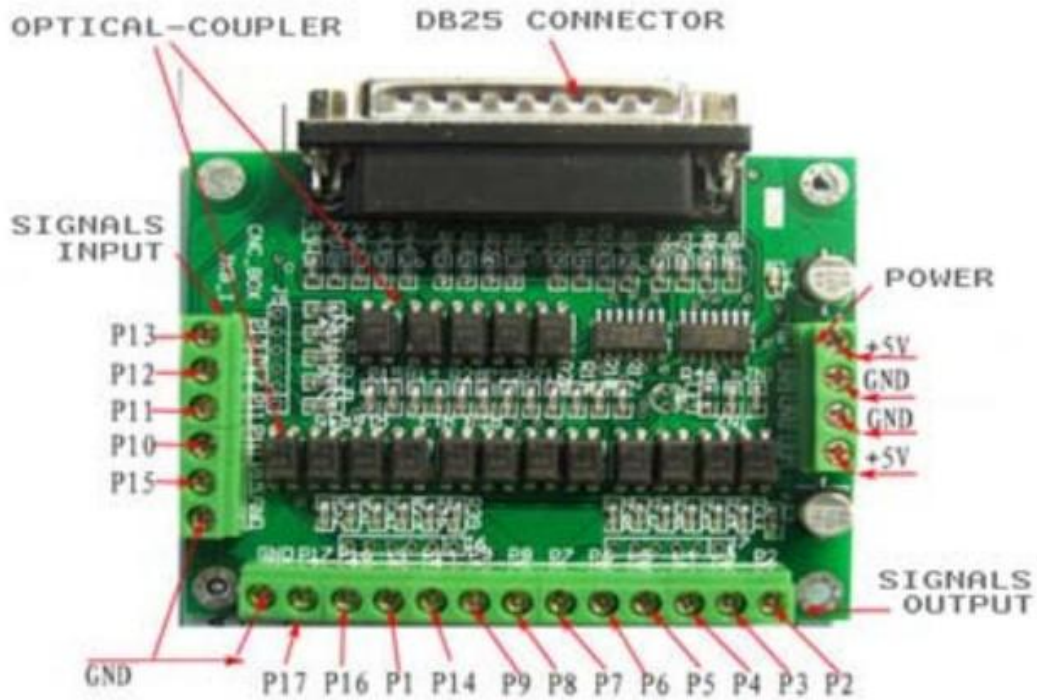


Instruction of Breakout Board

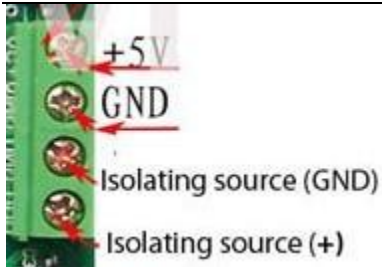


- 1、 To connect the PC parallel port by the parallel cable of the printer,

PC parallel port



- 2、 The power supply input port, it can set up the single or double power supply



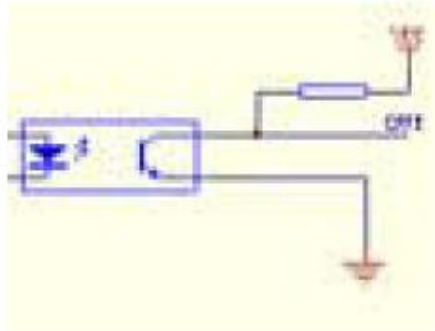
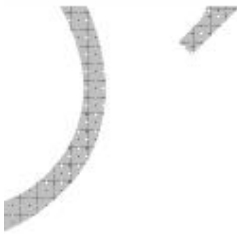
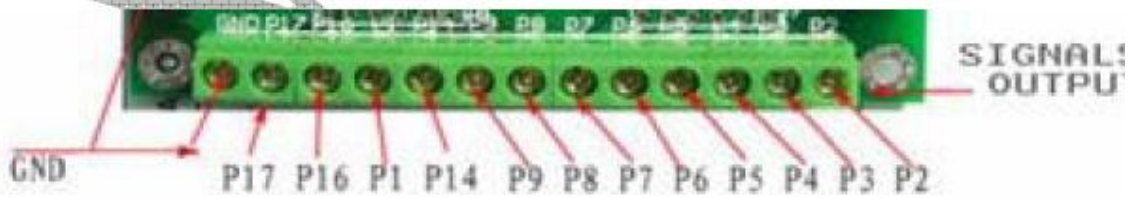
JN1&JN2 connected , which is the case of the single power .The +5V and isolating source(+) will be connected, the GND and the isolating source (GND) will be connected. But if the JN1&JN2 is open circuit , the +5V and the isolating source(+) will be cut off, the GND and the isolating source (GND) will be cut off.



J4 is the isolating source(GND) and Isolating source(+)



3、 Output connector, 12 wires OC(screw terminal output.)



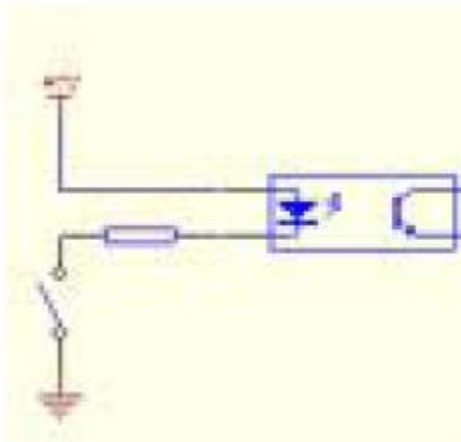
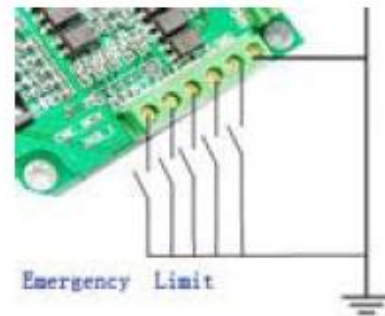
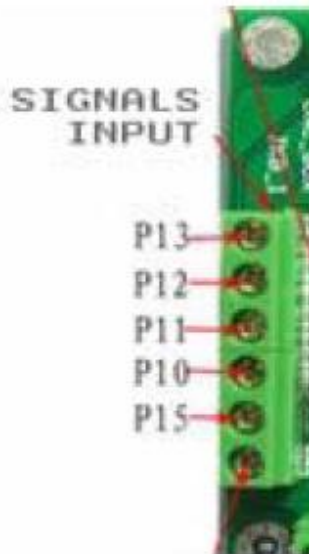
The internal circuit

P2 is for X axis pulse, P3 is for X axis direction
 P4 is for Y axis pulse, P5 is for Y axis direction
 P6 is for Z axis pulse, P7 is for Z axis direction
 Other 3 axis can be setting as
 P8 is for A axis pulse, P9 is for A axis direction
 P14 is for B axis pulse, P1 is for B axis direction
 P16 is for C axis pulse, and P17 is for C axis direction

J1 is the contact pin output, as the same as the terminal P2-P7, used to connect the small driver.



4. The 5 channel input signal port can be connected to the external mechanical switch, the proximity switch etc.



Internal circuit

Through the P10-P15 , it can connect to the sensor and switch, and it can realized the functions by setting up the software.
The connection of the mechanical / emergency switch..



Changzhou Longs Motor Co., Ltd.



Changzhou Longs Motor Co. ,Ltd.

Email : mary@longs-motor.com

MSN: marychen1987@hotmail.com

Skype: [marychen198711](https://www.skype.com/people/marychen198711)

Tel: 0086-519-85138166