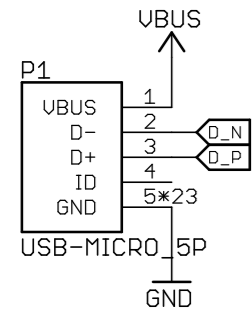
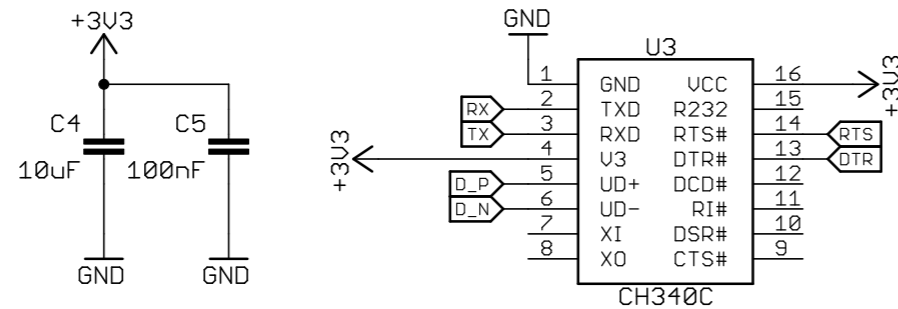


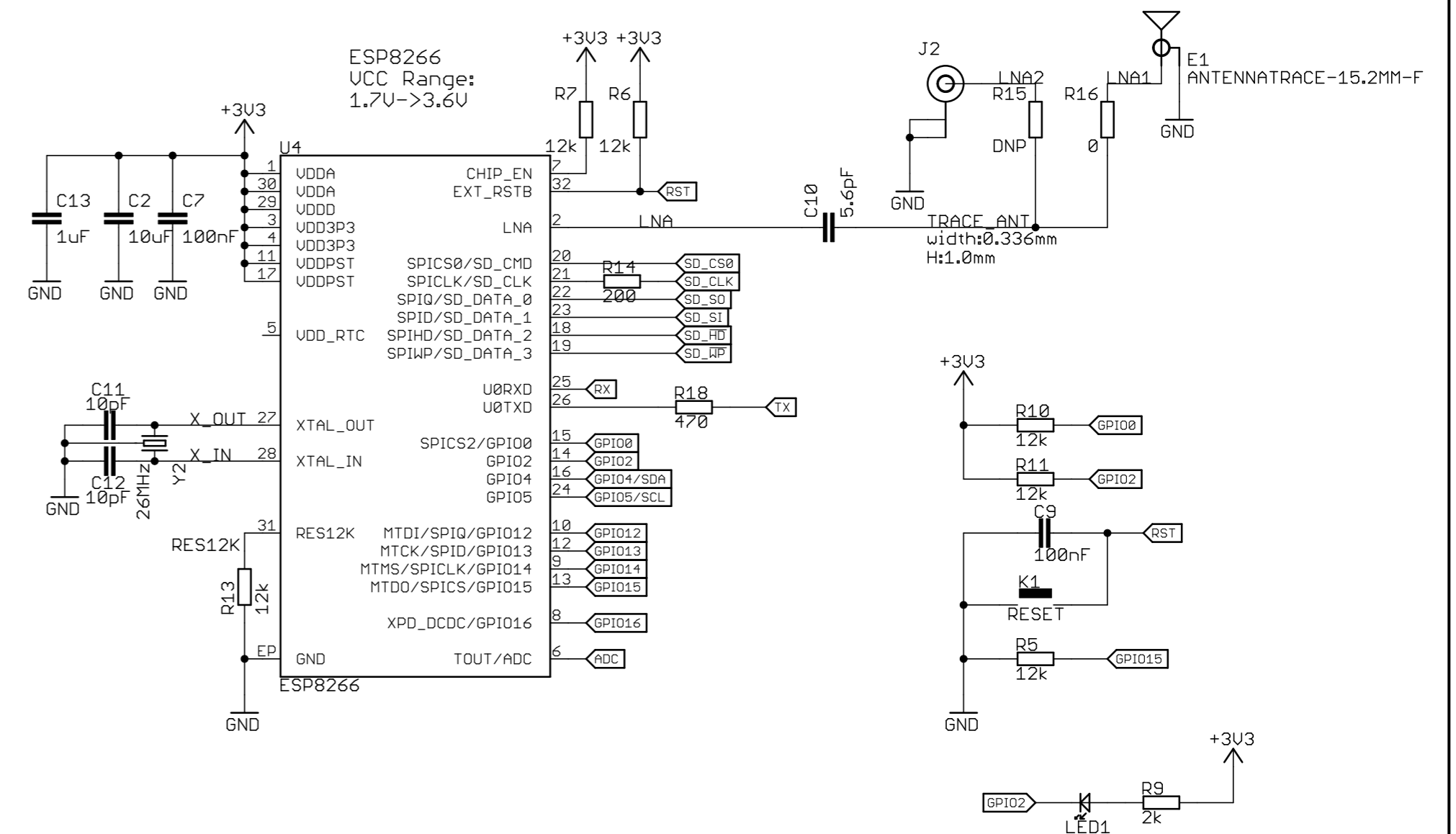
USB



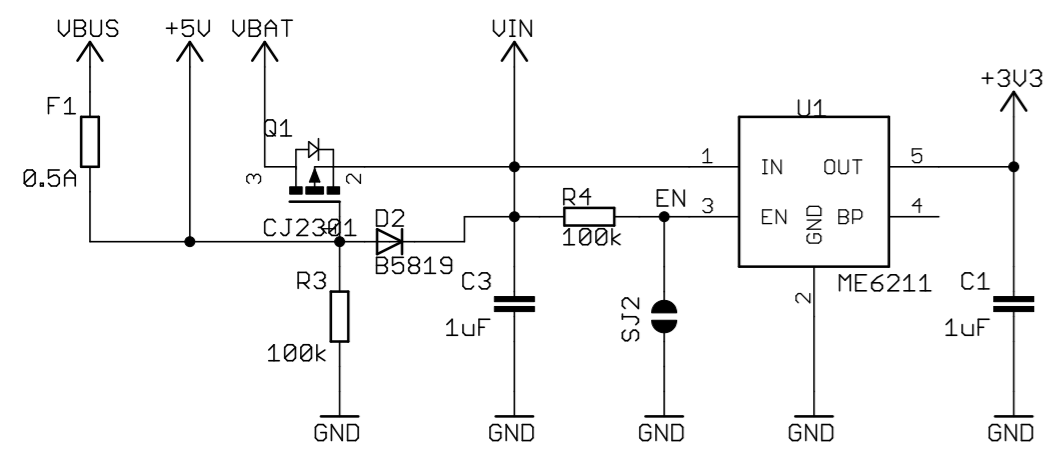
USB - UART



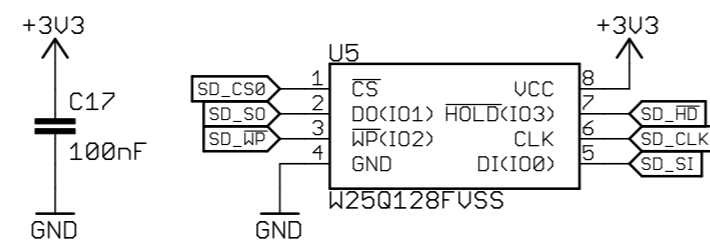
ESP8266 Core



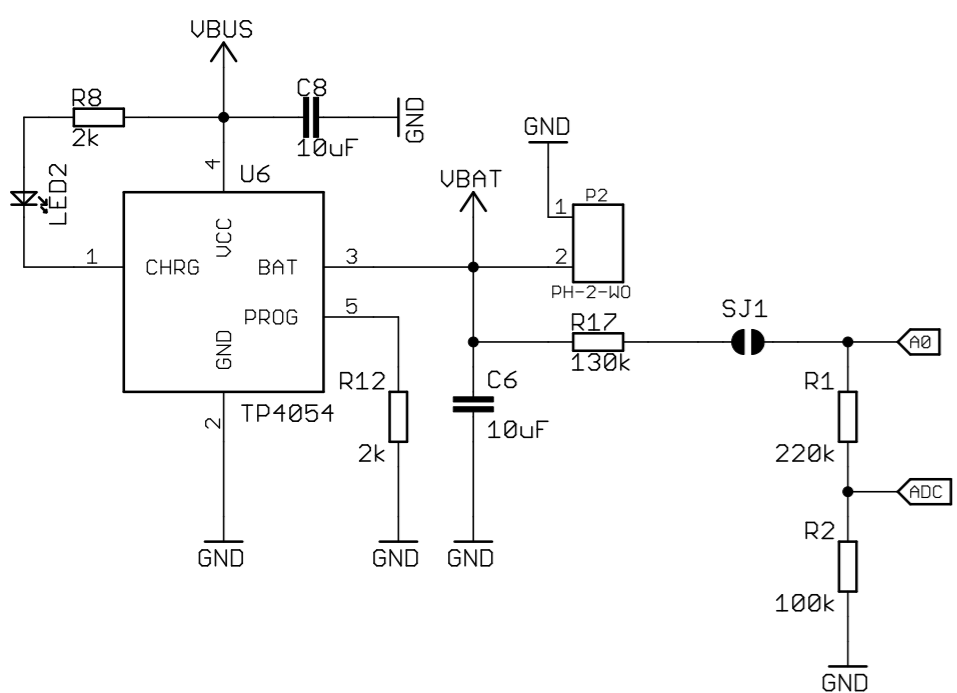
Power



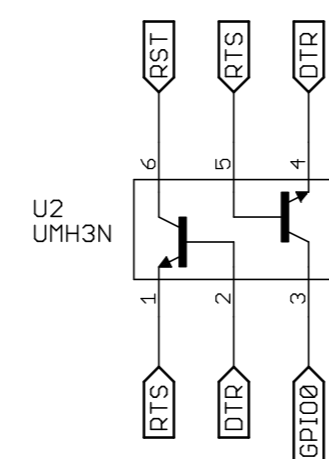
Flash



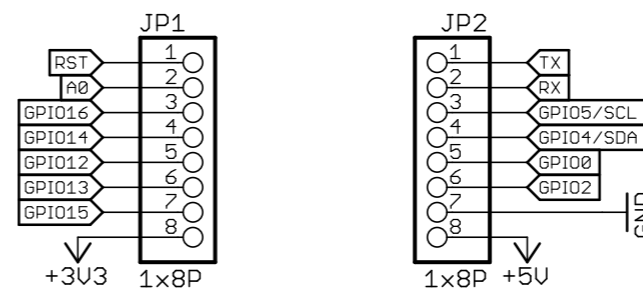
Battery



Download



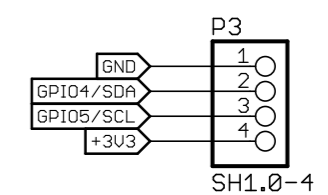
Pinhead



Deep Sleep



I2C Port



D1 mini Pro		⊗ ⊗
TITLE: d1_mini_pro		
Design by:	REV: V2.0.0	
Date: 2018-05-16 15:07	Sheet: 1/1	