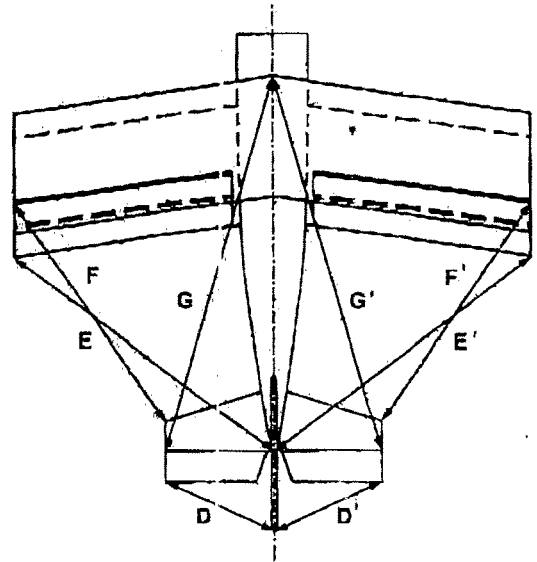
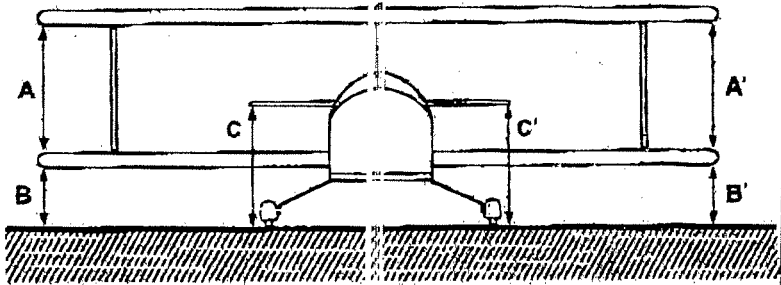
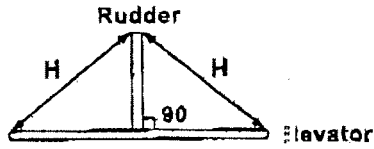


as in the diagrams.

- A = A'
- B = B'
- C = C'
- D = D'
- E = E'
- F = F'
- G = G'
- H = H'



Adjust the control throws as shown in the diagram. These throws are good for general flying. You can adjust according to your personal preference.

