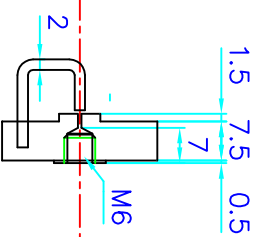
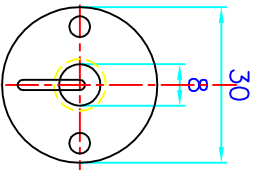
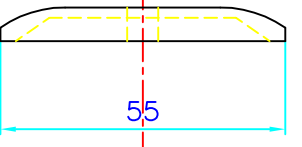
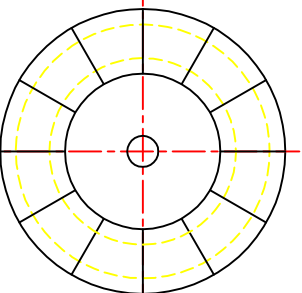
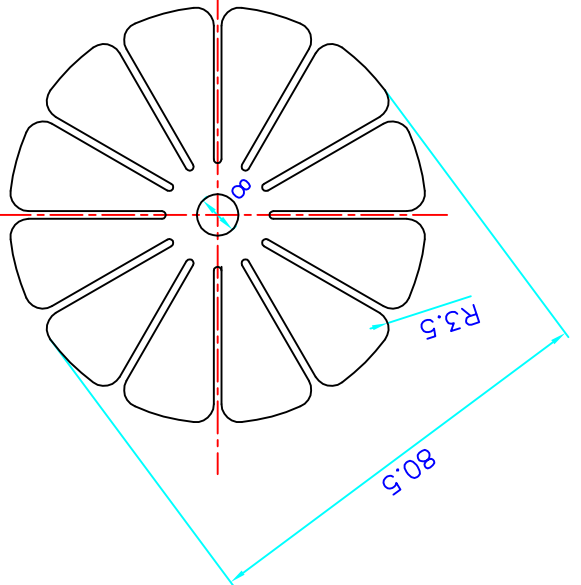
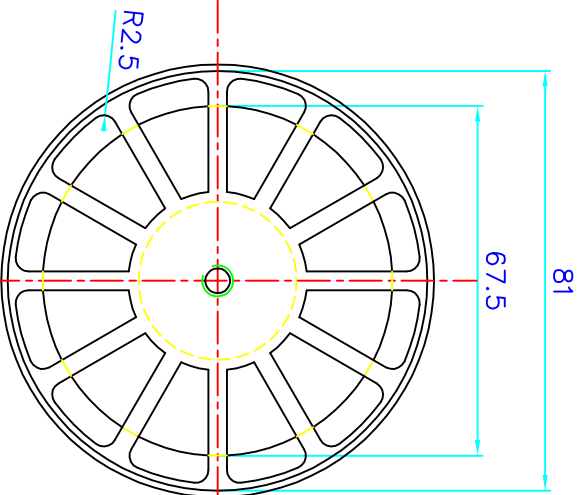
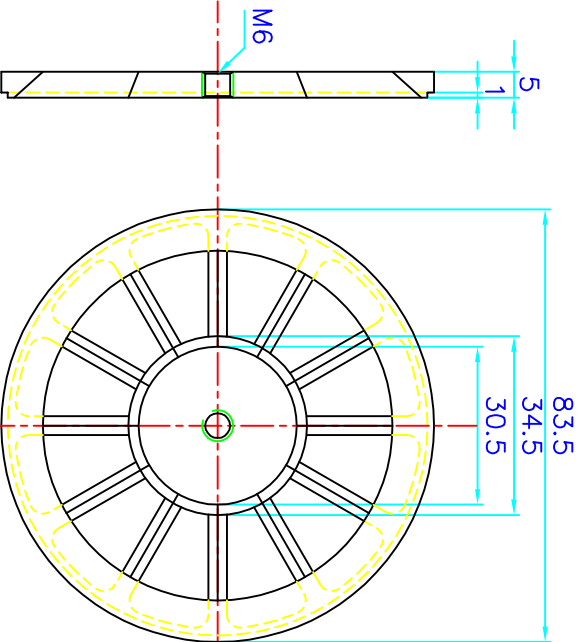
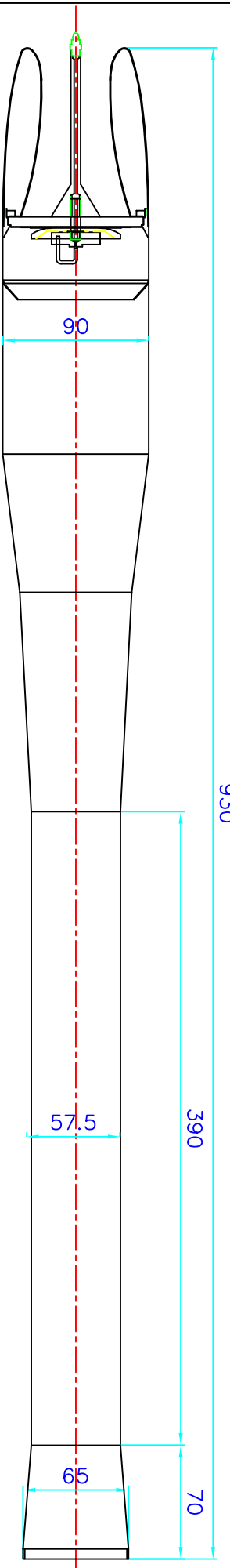


Design: Pulsejet Team Helmond, Nov. 1989



VALVE PLATE

FRONT VIEW

REAR VIEW

VALVE

RESTRICTOR

FUEL NOZZLE

PART No.	QUANTITY	NAME	MATERIAL	COMPANY NAME	NORMALIZATION or DIMENSIONS	REMARKS
		JALB specials		P.O. BOX 889 NL-5700 AW HELMOND THE NETHERLANDS		
		PULSEJET 90		DOC	PULSEJET.DWG	SHEET 1 of 1
SHAPE TOLERANCES		DIM. TOLERANCES		ROUGHNESS		REV.
acc. NEN-ISO 1101		acc. NEN-ISO 406		acc. NEN 3634		A3
PROJECTION	SCALE:	1:1 / 1:2.5	DRAWN:	G. van den Heuvel		
	UNIT:	mm	SUPERV.:			
DATE:	Nov. 1989		CHECKED:			
						4

All rights strictly reserved. Reproduction or issue to third parties, in whole or in part, in any form whatsoever, is not permitted without written consent from the proprietor.