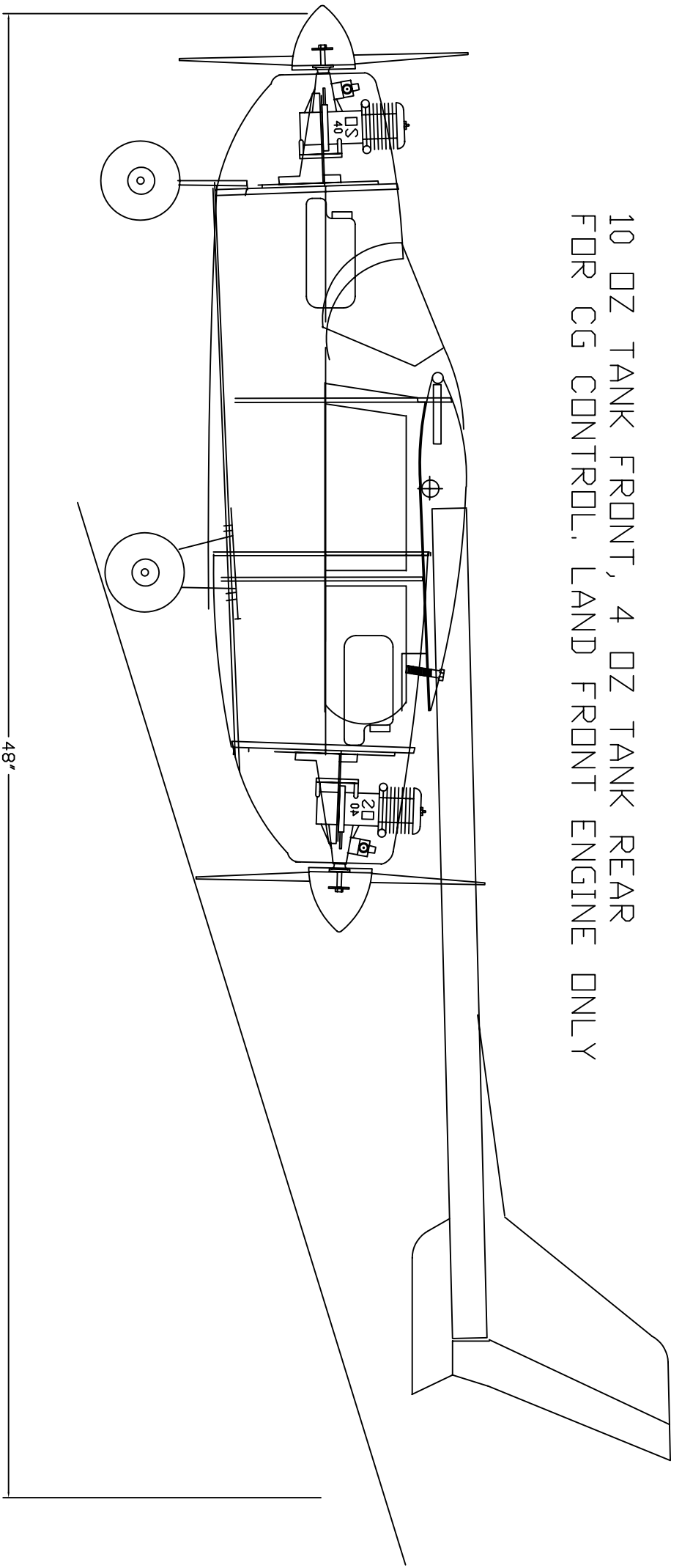


DS 25 RC FRONT, DS 20 BACK
 PLANE # 14
 3 SEPT 1992

10 OZ TANK FRONT, 4 OZ TANK REAR
 FOR CG CONTROL. LAND FRONT ENGINE ONLY



BUILD LIGHT
 UNDER 6 POUNDS