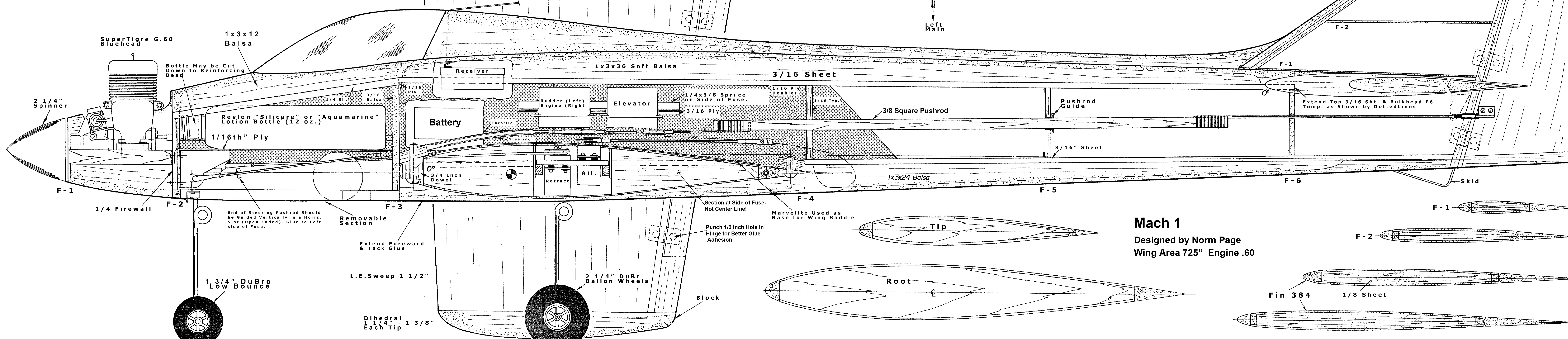
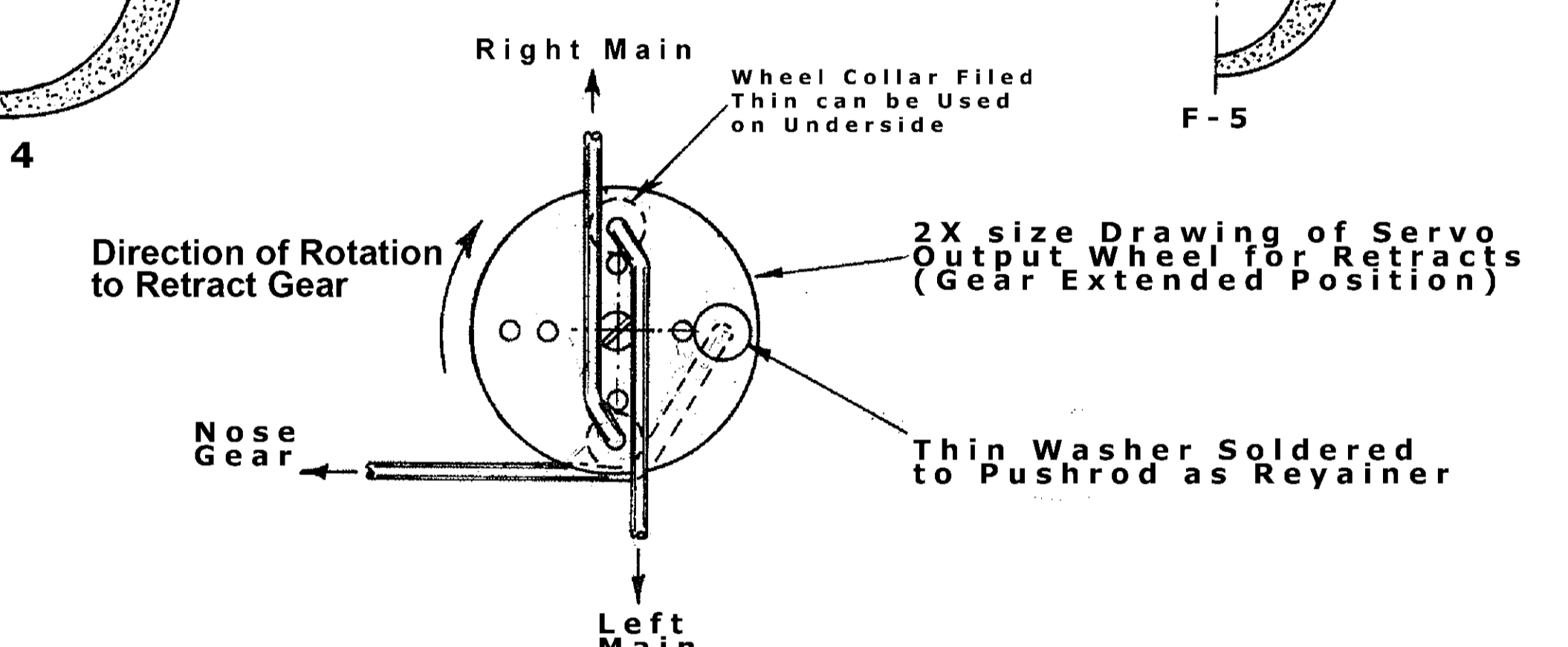
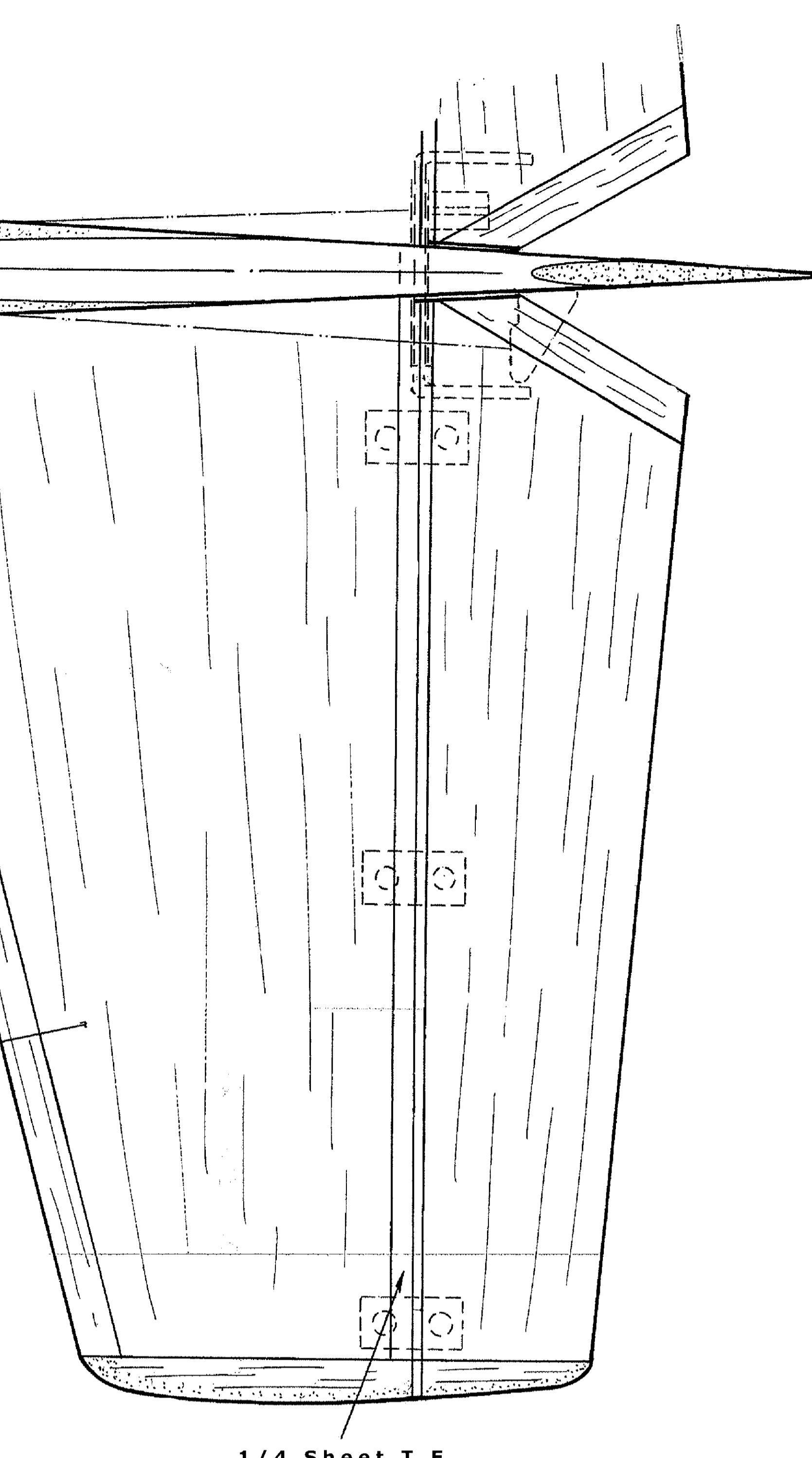
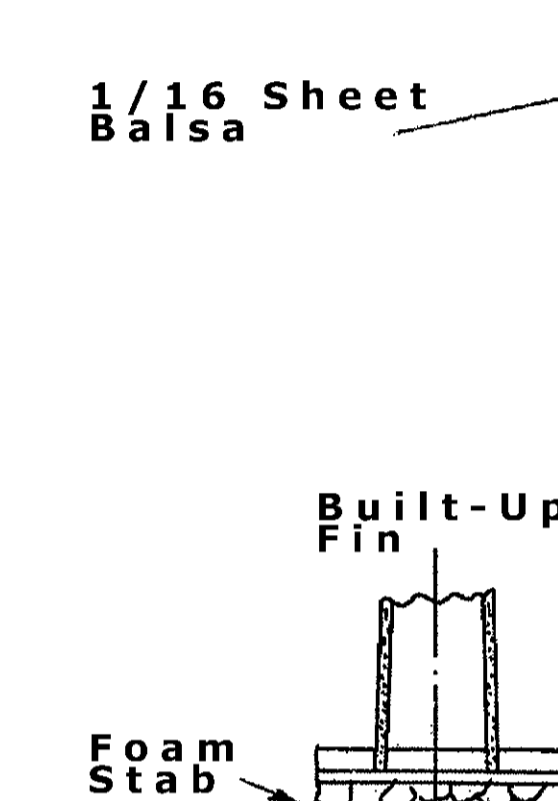
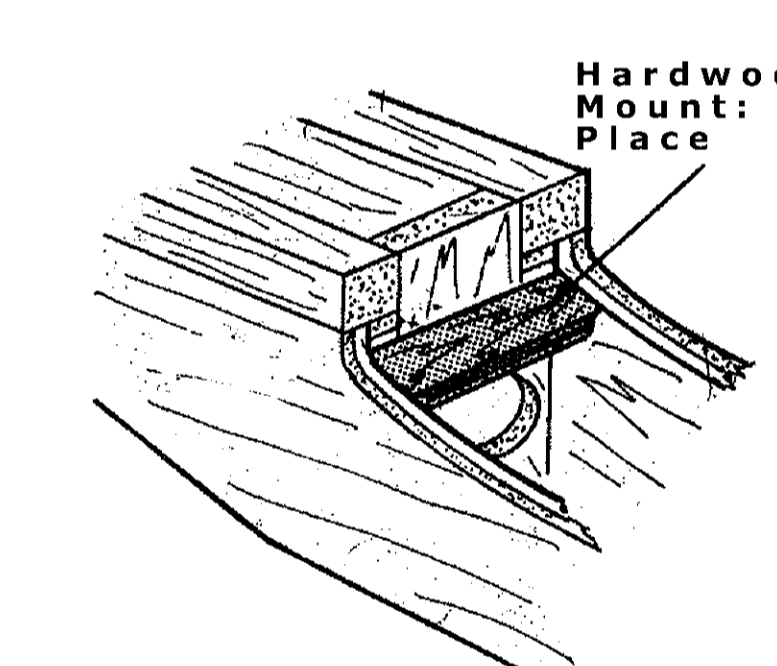
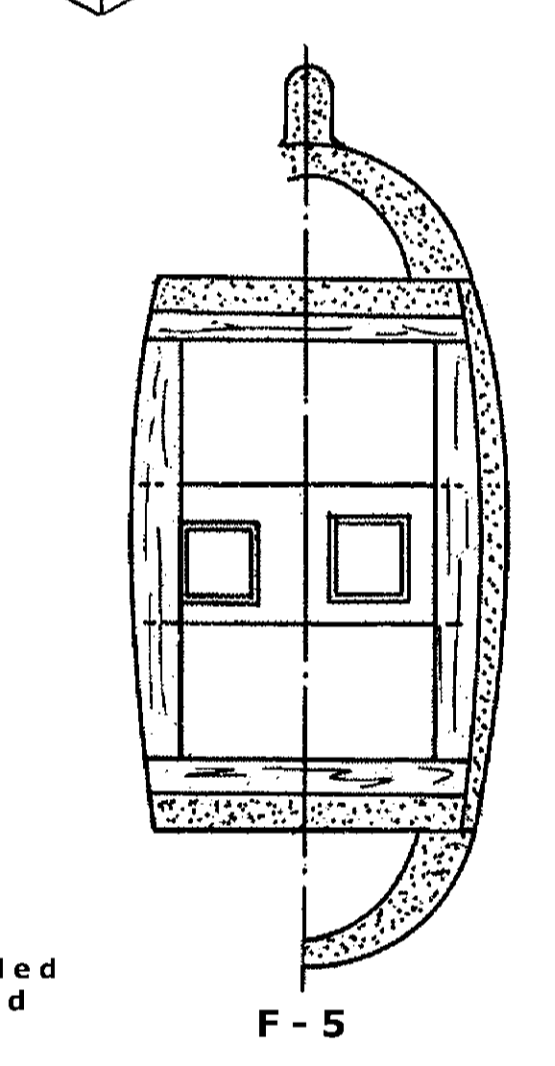
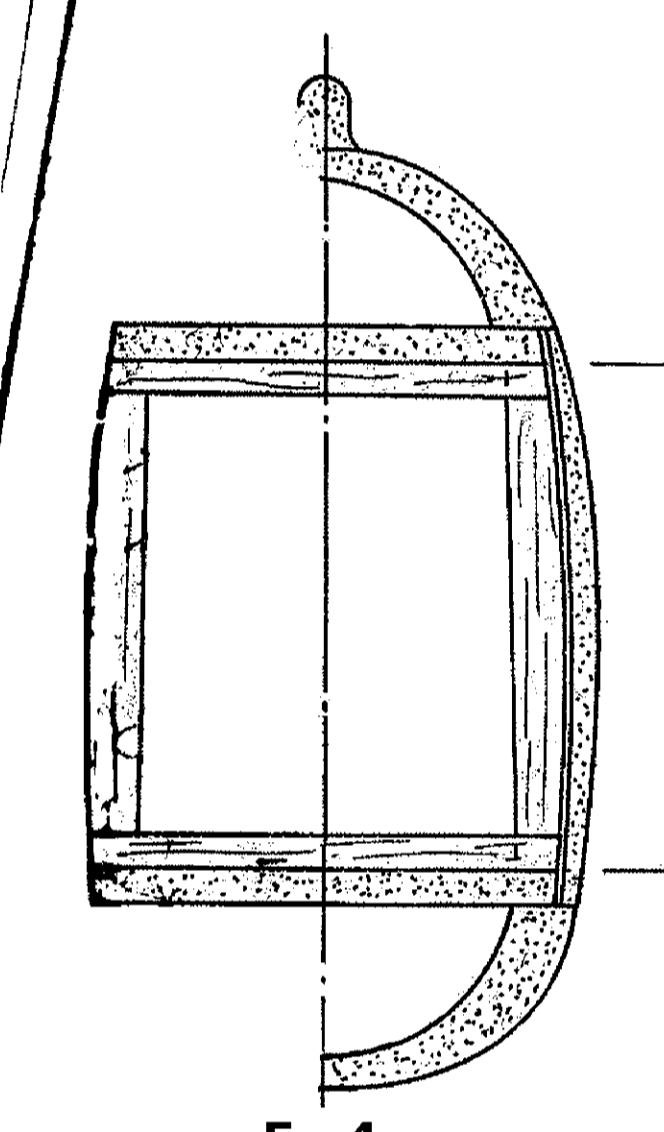
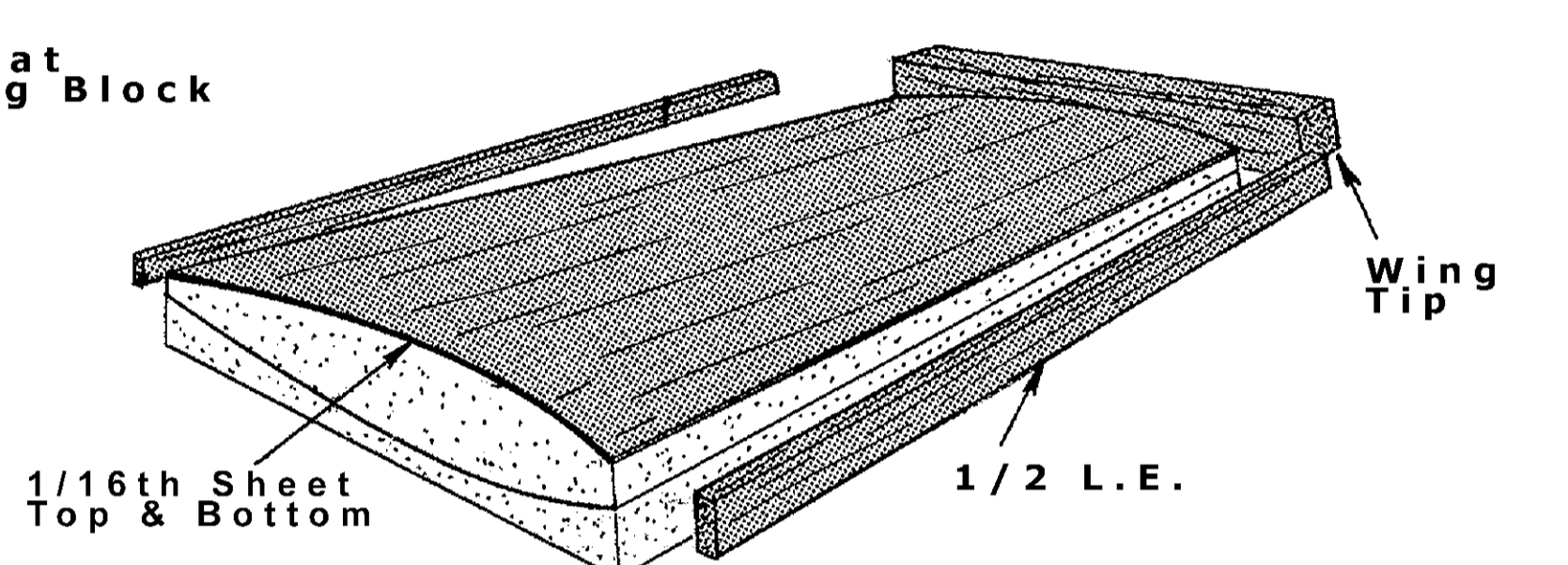
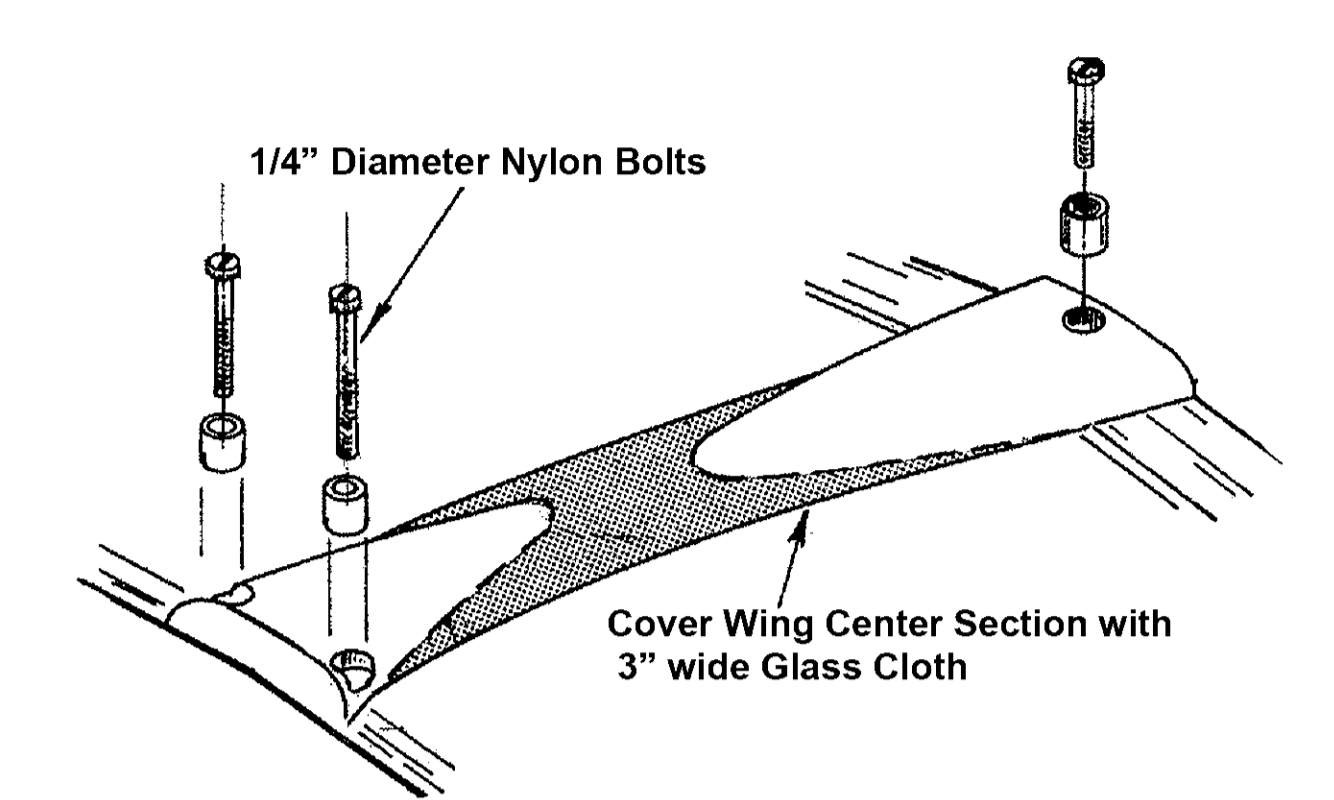
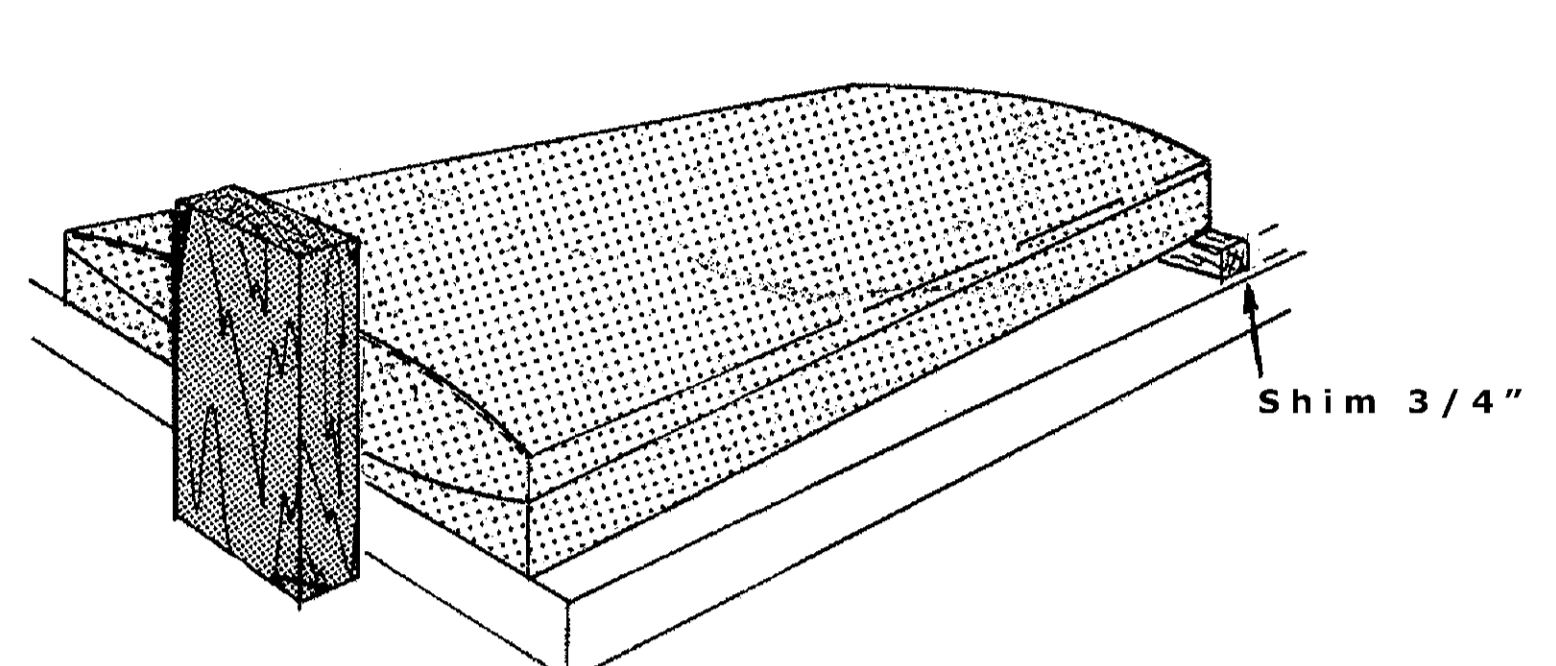
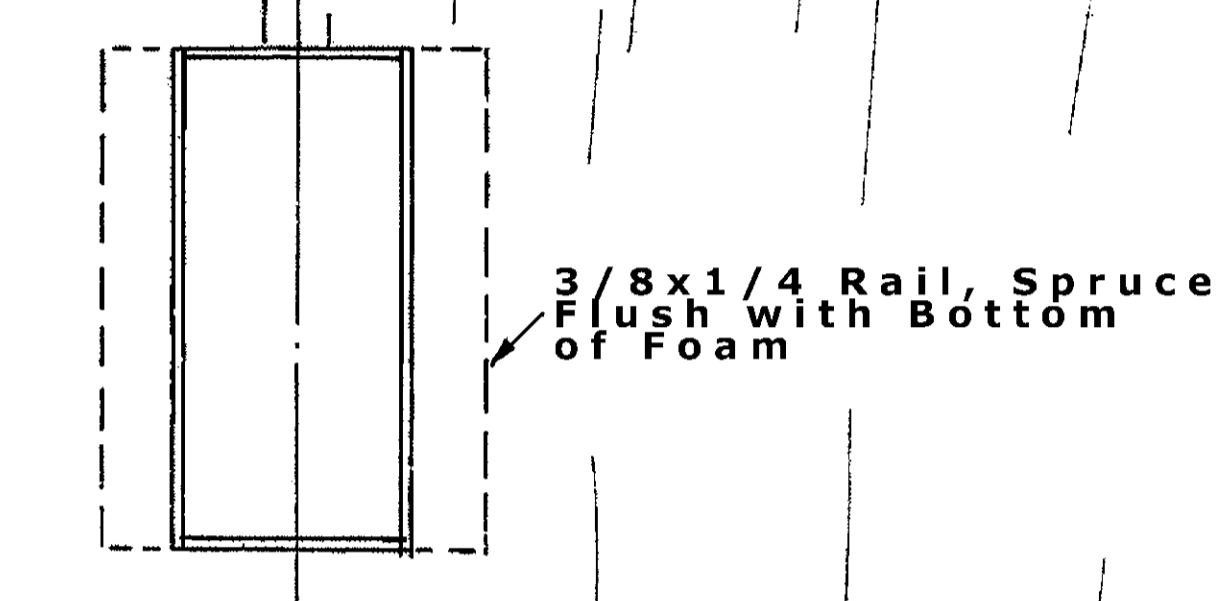


Clearance Hole for Screwdriver in line with Nose Retract Mount Screw



Mach 1
Designed by Norm Page
Wing Area 725" Engine .60