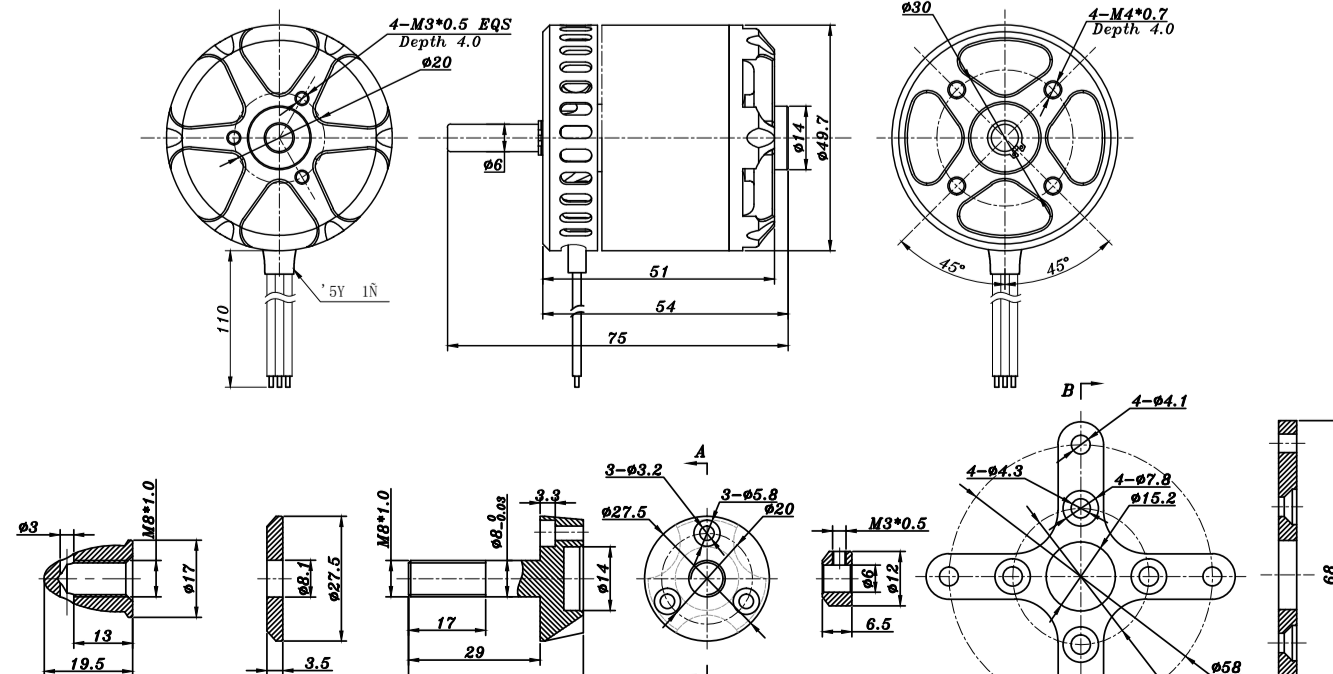


# SUNNYSKY

Specifications	X4125 KV440	
Stator Diameter	定子外径	41mm
Stator Thickness	定子厚度	25mm
No. of Stator Arms	定子槽数	12
No. of Rotor Poles	转子极数	14
Motor KV	电机KV值	440
No-Load Current (A/10V)	空载电流	1.45A
Motor Resistance	电机电阻	18.2mΩ
Max Continuous Current	最大连续电流	97A/30s
Max Continuous Power	最大连续功率	2430W
Weight	重量	344g
Rotor Diameter	转子直径	49.7mm
Body Length	电机长度 (不含轴长)	54mm
Max Lipo Cell	支持锂电节数	6S
ESC	建议使用电调	80-100A
Recommended Prop(inch)	推荐螺旋桨规格	6S(EOLO15*8/15*10/16*8/16*10)

Prop (inch)	Voltage (V)	Amps (A)	Thrust (gf)	Watts (W)	Efficiency (g/W)	RPM	Load temperature in 100% throttle 全油门负载温度
EOLO 15*8	22.2	2.5	500	55.5	9.01	2803	110°C 3min29s
		3.9	750	86.58	8.66	3430	
		5.5	1000	122.1	8.19	3902	
		7.3	1250	162.06	7.71	4302	
		9.25	1500	205.35	7.30	4660	
		11.3	1750	250.86	6.98	5059	
		13.5	2000	299.7	6.67	5378	
		15.9	2250	352.98	6.37	5680	
		18.4	2500	408.48	6.12	5910	
		21.1	2750	468.42	5.87	6200	
		24	3000	532.8	5.63	6530	
		29.7	3500	659.34	5.31	6970	
		37.1	4000	823.62	4.86	7470	
	53.1	5140	1178.82	4.36	8317		
	25	2.3	500	57.5	8.70	2810	
		3.5	750	87.5	8.57	3500	
		5.1	1000	127.5	7.84	3910	
		6.6	1250	165	7.58	4320	
		8.4	1500	210	7.14	4666	
		10.3	1750	257.5	6.80	5060	
		12.25	2000	306.25	6.53	5400	
		14.3	2250	357.5	6.29	5701	
		16.5	2500	412.5	6.06	5900	
		18.8	2750	470	5.85	6216	
		21.5	3000	537.5	5.58	6477	
		26.8	3500	670	5.22	6903	
33		4000	825	4.85	7460		
45.7	5000	1142.5	4.38	8187			
68	6300	1700	3.71	9129			
EOLO 15*10	22.2	2.4	500	53.28	9.38	2554	130°C 1min56s
		3.8	750	84.36	8.89	3125	
		5.6	1000	124.32	8.04	3610	
		7.4	1250	164.28	7.61	3980	
		9.6	1500	213.12	7.04	4380	
		11.8	1750	261.96	6.68	4659	
		14.6	2000	324.12	6.17	5057	
		17	2250	377.4	5.96	5350	
		19.9	2500	441.78	5.66	5580	
		22.6	2750	501.72	5.48	5877	
		26	3000	577.2	5.20	6100	
		33.2	3500	737.04	4.75	6589	
		41.1	4000	912.42	4.38	5909	
	64	5240	1420.8	3.69	7890		
	25	2.1	500	52.5	9.52	2556	
		3.4	750	85	8.82	3200	
		5	1000	125	8.00	3600	
		6.6	1250	165	7.58	3990	
		8.6	1500	215	6.98	4370	
		10.7	1750	267.5	6.54	4684	
		12.8	2000	320	6.25	5052	
		15	2250	375	6.00	5306	
		17.55	2500	438.75	5.70	5550	
		20.4	2750	510	5.39	5850	
		23	3000	575	5.22	6050	
		29.3	3500	732.5	4.78	6540	
36		4000	900	4.44	6950		
52.8	5000	1320	3.79	7760			
80	6300	2000	3.15	8627			
EOLO 16*8	22.2	2.3	500	51.06	9.79	2399	124°C 2min40s
		3.6	750	79.92	9.38	2950	
		5.2	1000	115.44	8.66	3370	
		6.9	1250	153.18	8.16	3790	
		8.6	1500	190.92	7.86	4089	
		10.7	1750	237.54	7.37	4420	
		12.7	2000	281.94	7.09	4679	
		15	2250	333	6.76	4960	
		17.5	2500	388.5	6.44	5224	
		19.8	2750	439.56	6.26	5520	
		22.5	3000	499.5	6.01	5827	
		28.1	3500	623.82	5.61	6218	
		34.5	4000	765.9	5.22	6664	
	49.3	5000	1094.46	4.57	7314		
	64.4	6140	1429.68	4.29	8026		
	25	2	500	50	10.00	2500	
		3.2	750	80	9.38	3016	
		4.6	1000	115	8.70	3383	
		6.2	1250	155	8.06	3879	
		7.8	1500	195	7.69	4180	
		9.5	1750	237.5	7.37	4430	
		11.6	2000	290	6.90	4760	
		13.5	2250	337.5	6.67	5002	
		15.5	2500	387.5	6.45	5290	
		17.7	2750	442.5	6.21	5570	
		20	3000	500	6.00	5842	
24.9		3500	622.5	5.62	6280		
30.5		4000	762.5	5.25	6598		
44	5000	1100	4.55	7360			
57.3	6000	1432.5	4.19	7924			
82.7	7730	2067.5	3.74	8803			
EOLO 16*10	22.2	2.3	500	51.06	9.79	2222	115°C 1min14s
		3.7	750	82.14	9.13	2724	
		5.3	1000	117.66	8.50	3097	
		7	1250	155.4	8.04	3489	
		8.9	1500	197.58	7.59	3800	
		10.9	1750	241.98	7.23	4077	
		13.1	2000	290.82	6.88	4375	
		15.6	2250	346.32	6.50	4610	
		17.9	2500	397.38	6.29	4860	
		20.7	2750	459.54	5.98	5096	
		23	3000	510.6	5.88	5270	
		28.7	3500	637.14	5.49	5680	
		35.7	4000	792.54	5.05	6022	
	53.7	5000	1192.14	4.19	6800		
	80	6600	1776	3.72	7666		
	25	2.2	500	55	9.09	2249	
		3.3	750	82.5	9.09	2720	
		4.8	1000	120	8.33	3127	
		6.4	1250	160	7.81	3427	
		8.1	1500	202.5	7.41	3800	
		9.85	1750	246.25	7.11	4098	
		11.6	2000	290	6.90	4440	
		13.65	2250	341.25	6.59	4596	
		15.8	2500	395	6.33	4867	
		18	2750	450	6.11	5085	
		20.6	3000	515	5.83	5310	
25.7		3500	642.5	5.45	5780		
31.6		4000	790	5.06	6120		
47.5	5000	1187.5	4.21	6788			
61.2	6000	1530	3.92	7390			
97.1	8100	2427.5	3.34	8389			



X4125