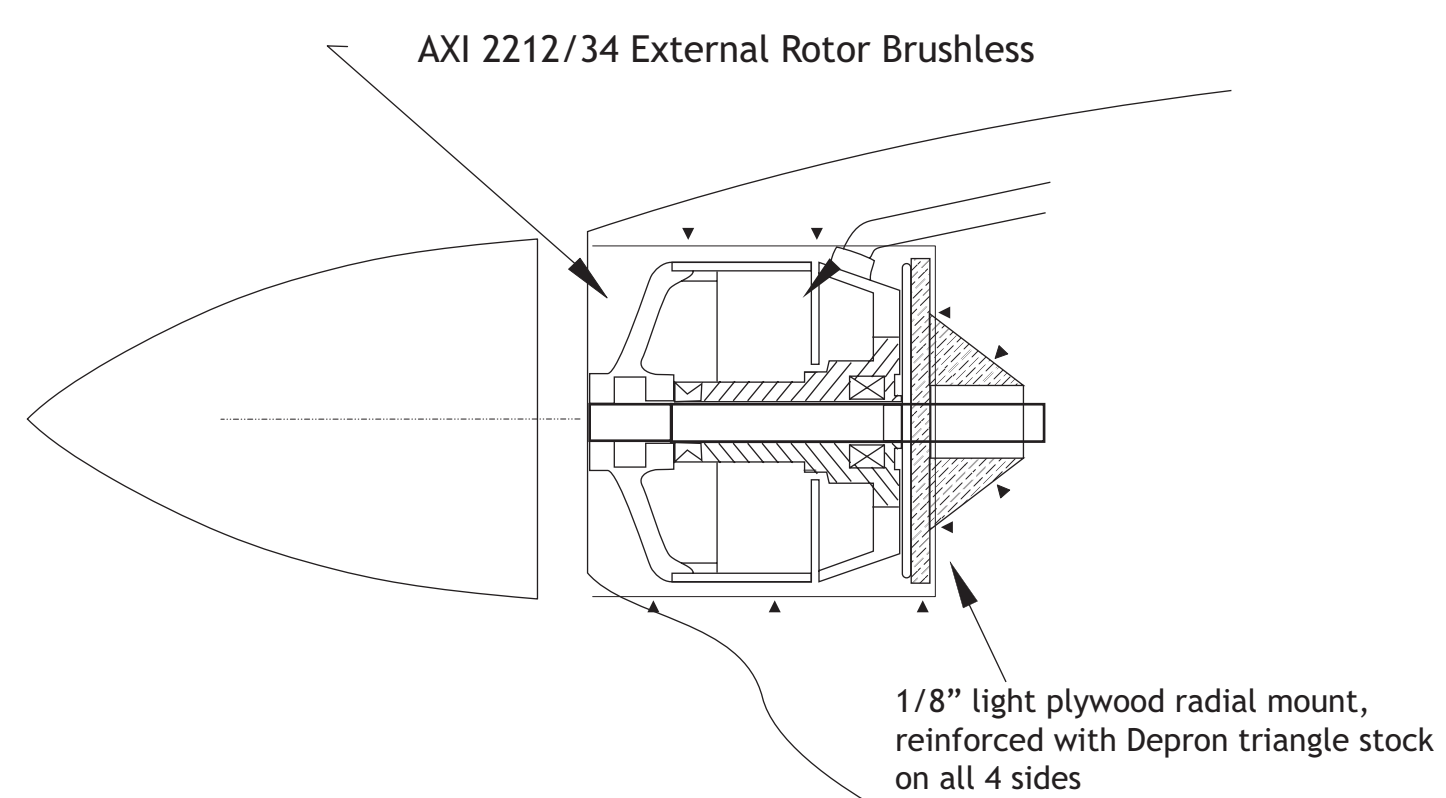


FOAME-3 D PARK FLYER SPECS	PROVEN SYSTEM RECOMMENDATIONS	MATERIALS LIST
Wing Span..... 37" Length..... 37.5" Weight..... 12-13oz Power..... GWS EPS350C Max 3D Power... Brushless motor fit to GWS EPS350D gearbox Prop..... GWS 11x4 -- 12x4 Ch..... 5 Battery..... 2-3 Cell-700 to 1200mAh-Li-Poly	Rc and Servos * GWS R-6NII Sch receiver or Hitec Electron 6 FM * 4 Waypoint W-684 Micro Servos or Hitec HS 55 Brushed Motor (good performance) * GWS EPS350C "DS" Gearing Motor * GWS ICS-300 Speed Controller * Prop GWS 12x6 Slow Flyer * 3 Cell-800-1200mAh-11.1v Li-Poly Battery Brushless Motor * AXI 2212/34 outrunner (Max performance) * Phoenix 25amp speed controller * 3 Cell 700-1200mAh-11.1v Li-Poly Battery * APC 12x3.8 electric slow flyer OR... * HiMAX S100 or S400 (Max performance) w/GWS 350C "DS" gearbox * Phoenix 25amp speed controller * 3 Cell 700-1200mAh-11.1v Li-Poly Battery * APC 12x3.8 electric slow flyer	* Depron 6mm White (www.depronusa.com) * 30" 4mm & 2mm wrapped carbon fiber tube * Medium or Thick foam friendly CA * Foam friendly CA accelerator * JZ Products Super RC "Z" 56 glue * 1" Self-sticking Hook & Loop (Velcro) tape * Clear packing tape * 4 Du-Bro Micro Control Horns No. 848 * 4 Du-Bro Micro E/Z Links No. 849 * 1" wide self-sticking hook & loop (Velcro) * .032 wire control arms * 1/2" Nylon Filament Strapping (3M brand) * Zagi tape for trim scheme (optional) * Straight edge razorblades * No. 11 Xacto knife * Metal yardstick * 3M Photomount Spray Adhesive (for plan transfer to paper)

Alternative AXI Brushless Motor setup



© Copyright 2004 3Dbatix.com. All rights reserved.

