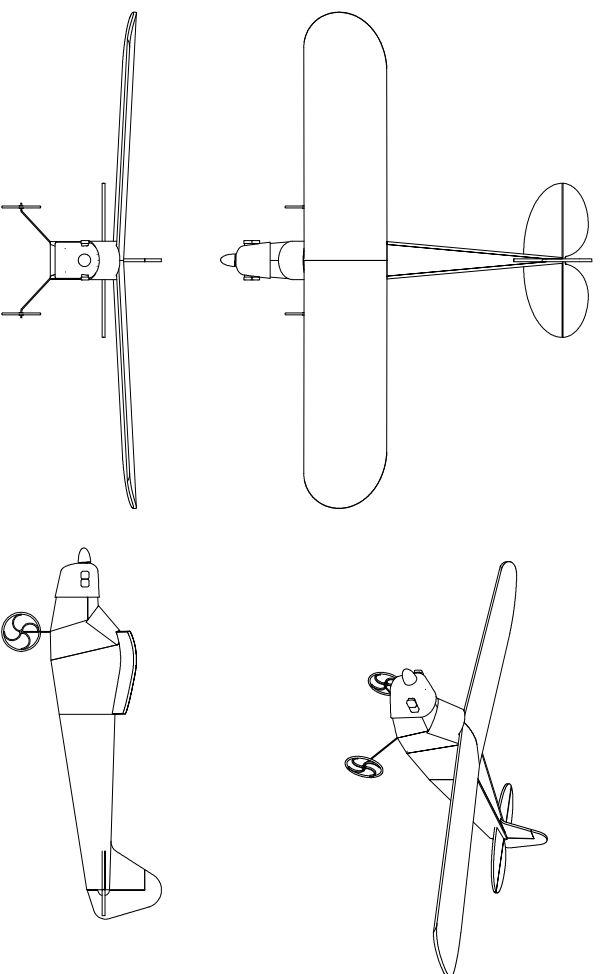


ELECTRIC ORANGE



J3 Cub Trainer



SPECIFICATION

Wing Span:	960mm (38.4")
Length:	690mm (27.6")
Power System:	GWS EPS-350C-C or D
Propeller:	10x8 or 9x7 Slow Flyer
Weight:	400 - 450g (14 - 16oz)
Wing Loading:	27.8 - 31.3 g/dm ² (9 - 10.3 oz/sq ft)
Control:	3 Channel
Material:	XPS-Lite, Depron or FFF (6mm Nominal Thickness)