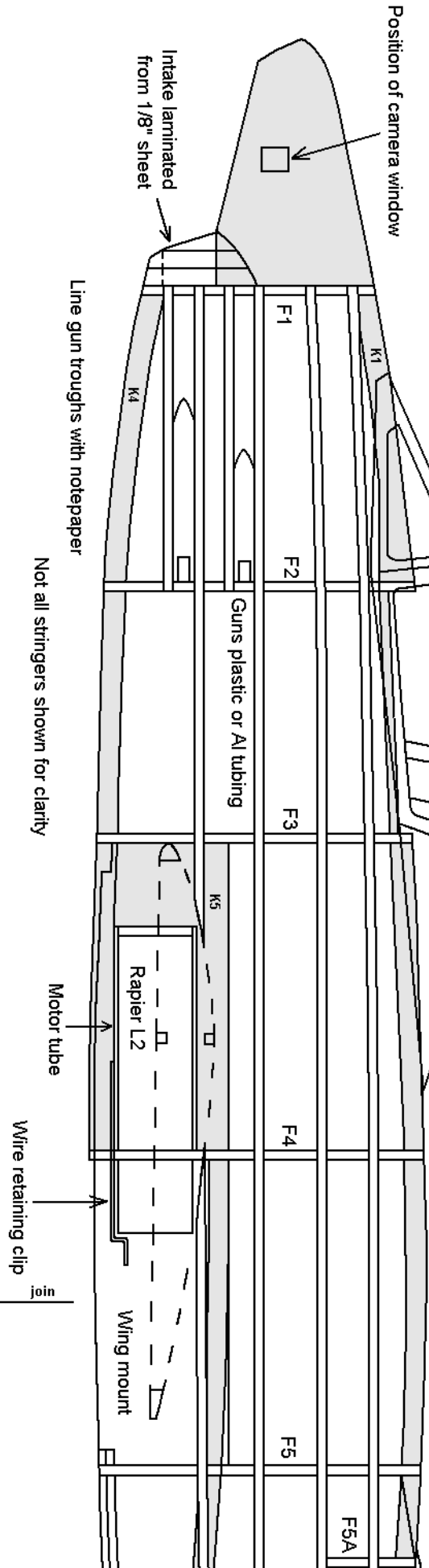
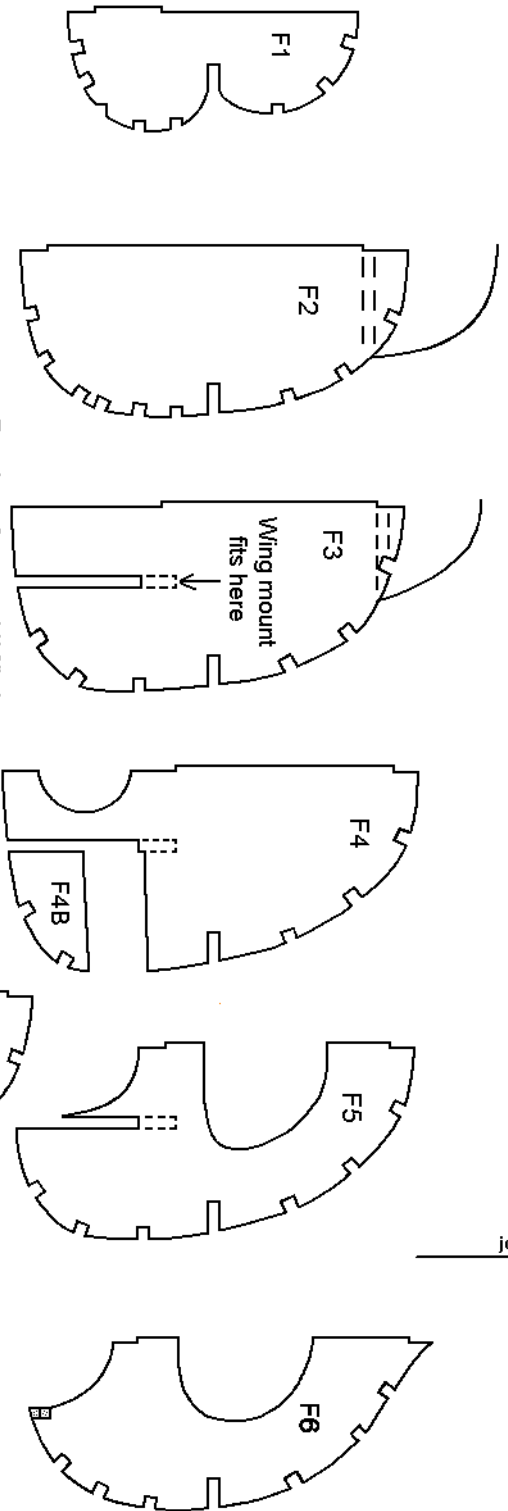


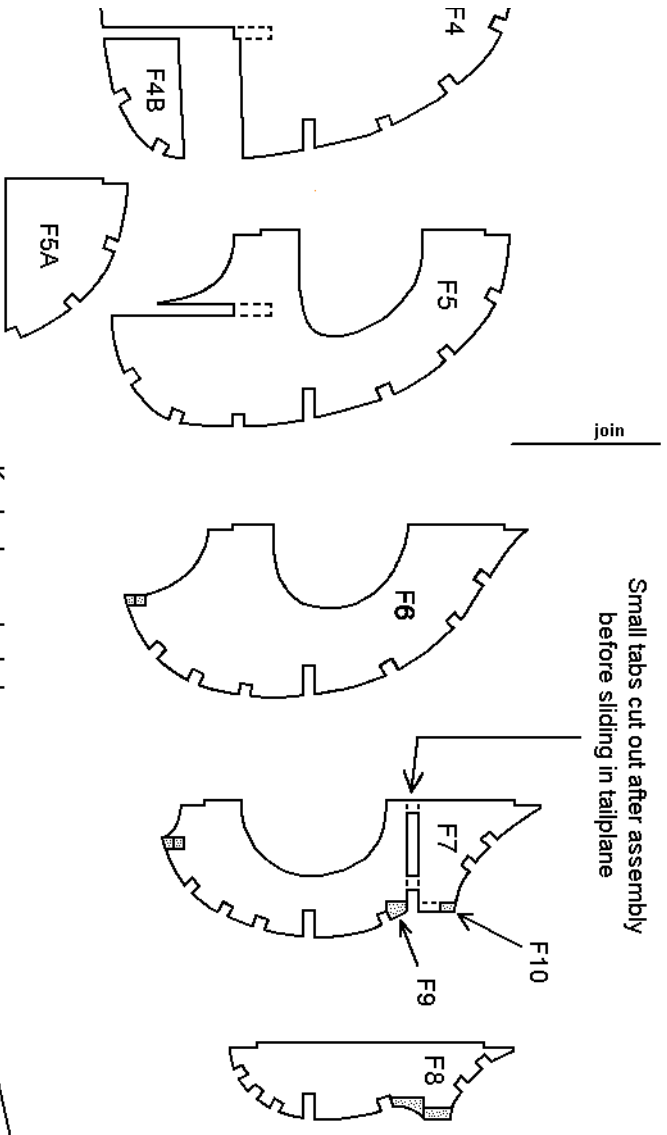
Fiat G.91-R
13" span free flight
scale model
 Designed and drawn by
Mike Stuart
 Sheet 1 of 5

Fill between stringers with soft
 balsa sheet from F1 to F2
 also under canopy

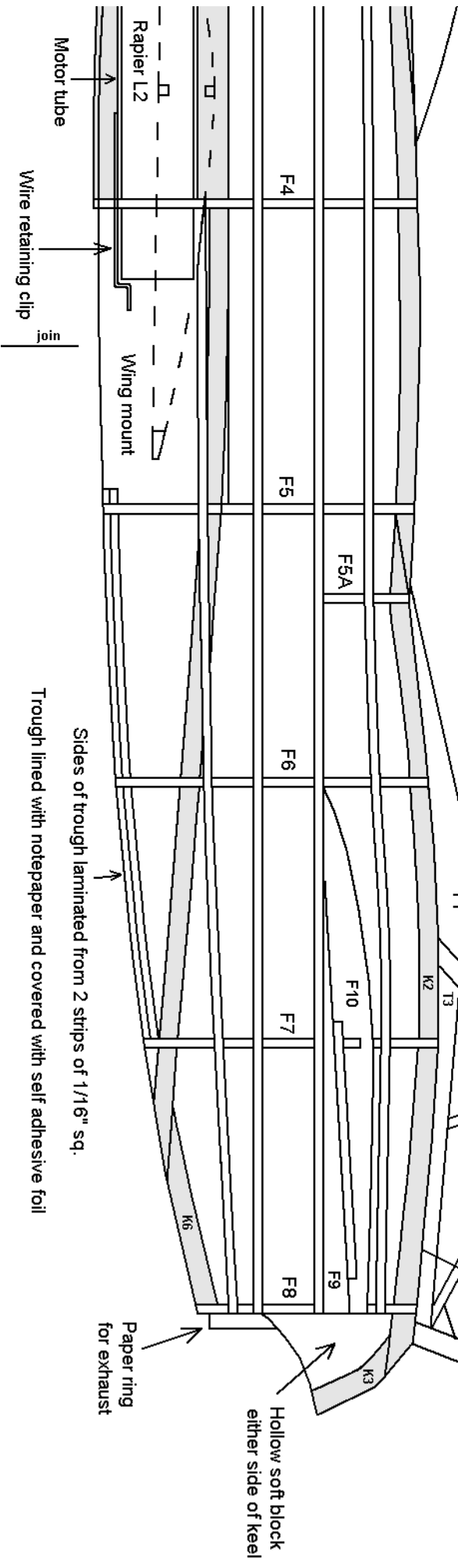
Fuselage formers 1/16" sheet



Small tabs cut out after assembly
before sliding in tailplane



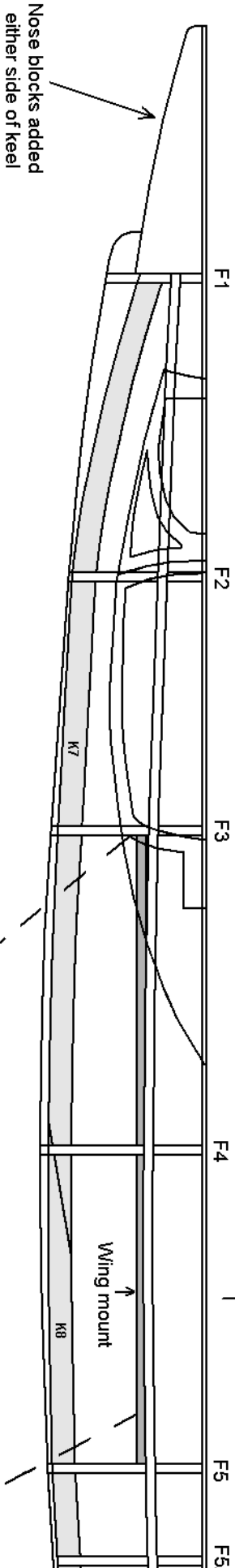
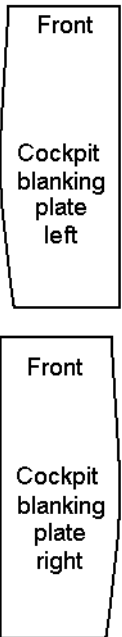
Keels shown shaded



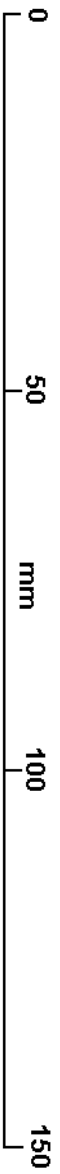
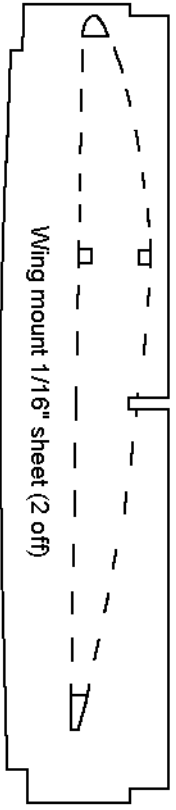
Sides of trough laminated from 2 strips of 1/16" sq.
Trough lined with notepaper and covered with self adhesive foil

Top view

Blanking plates fit between F2 and F3

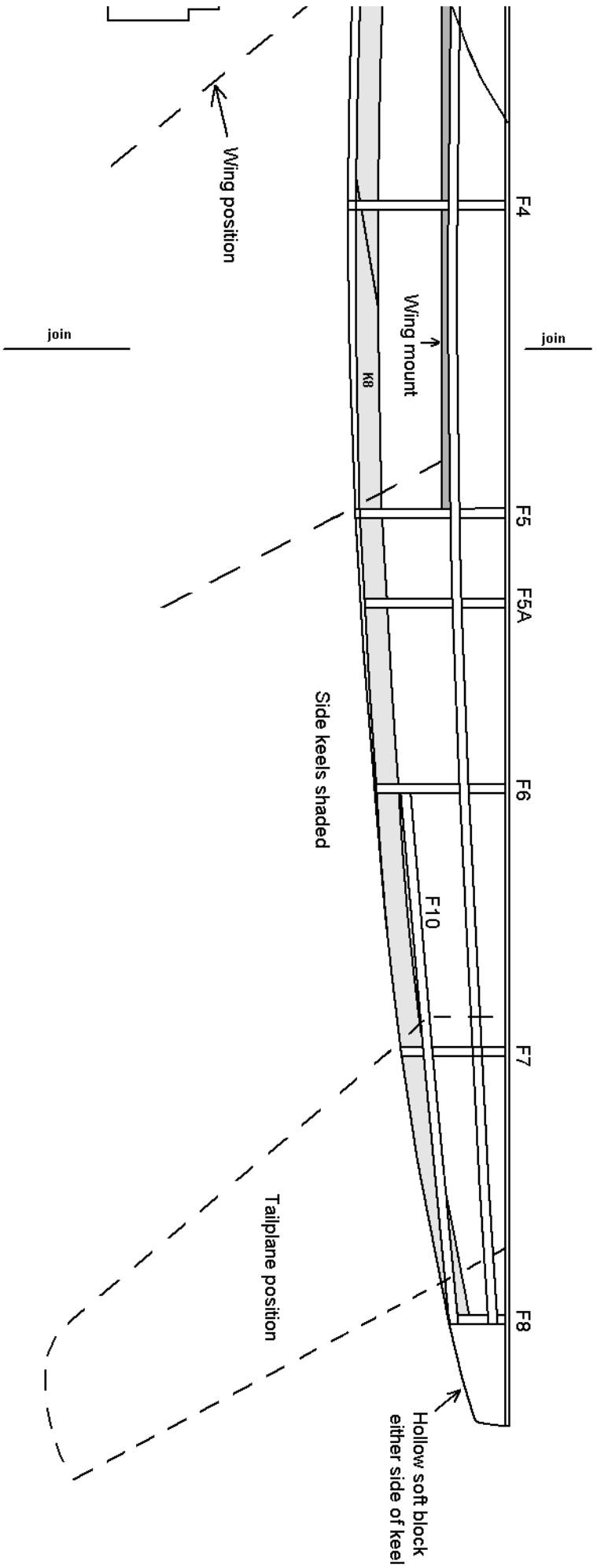


Fiat G.91-R
Sheet 2 of 5

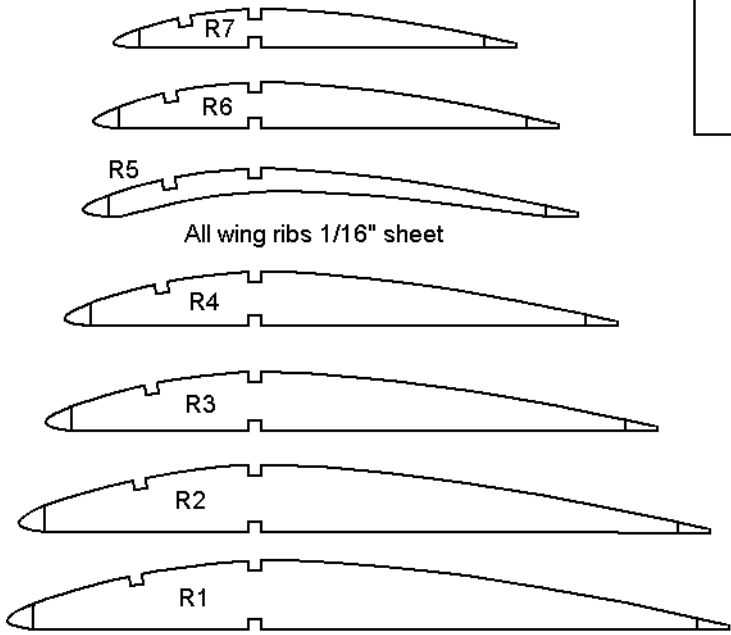


join

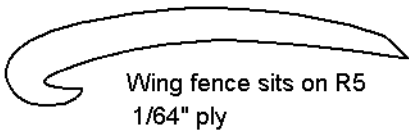
join



Fiat G.91-R
Sheet 3 of 5

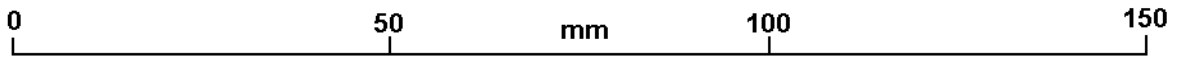
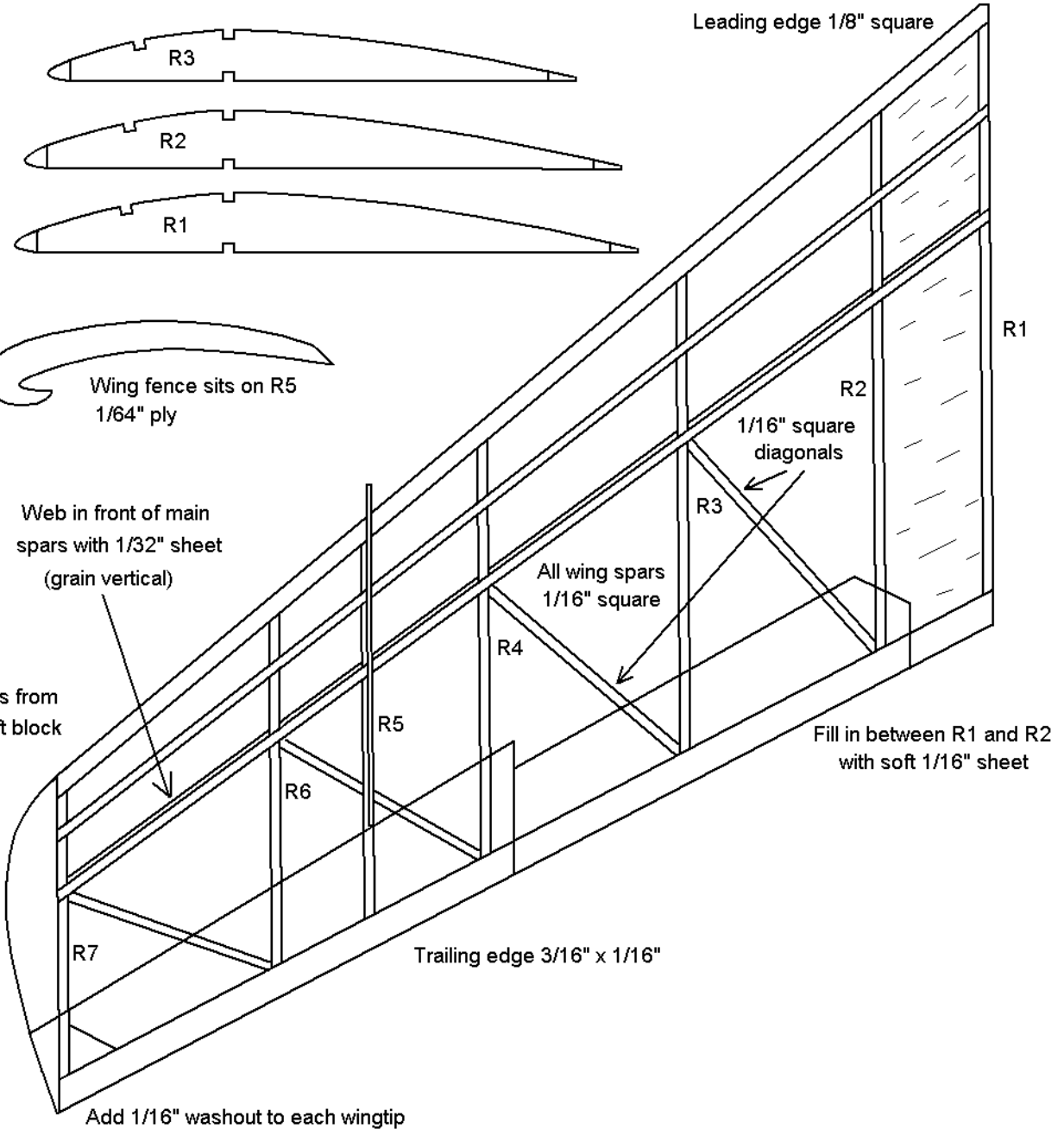


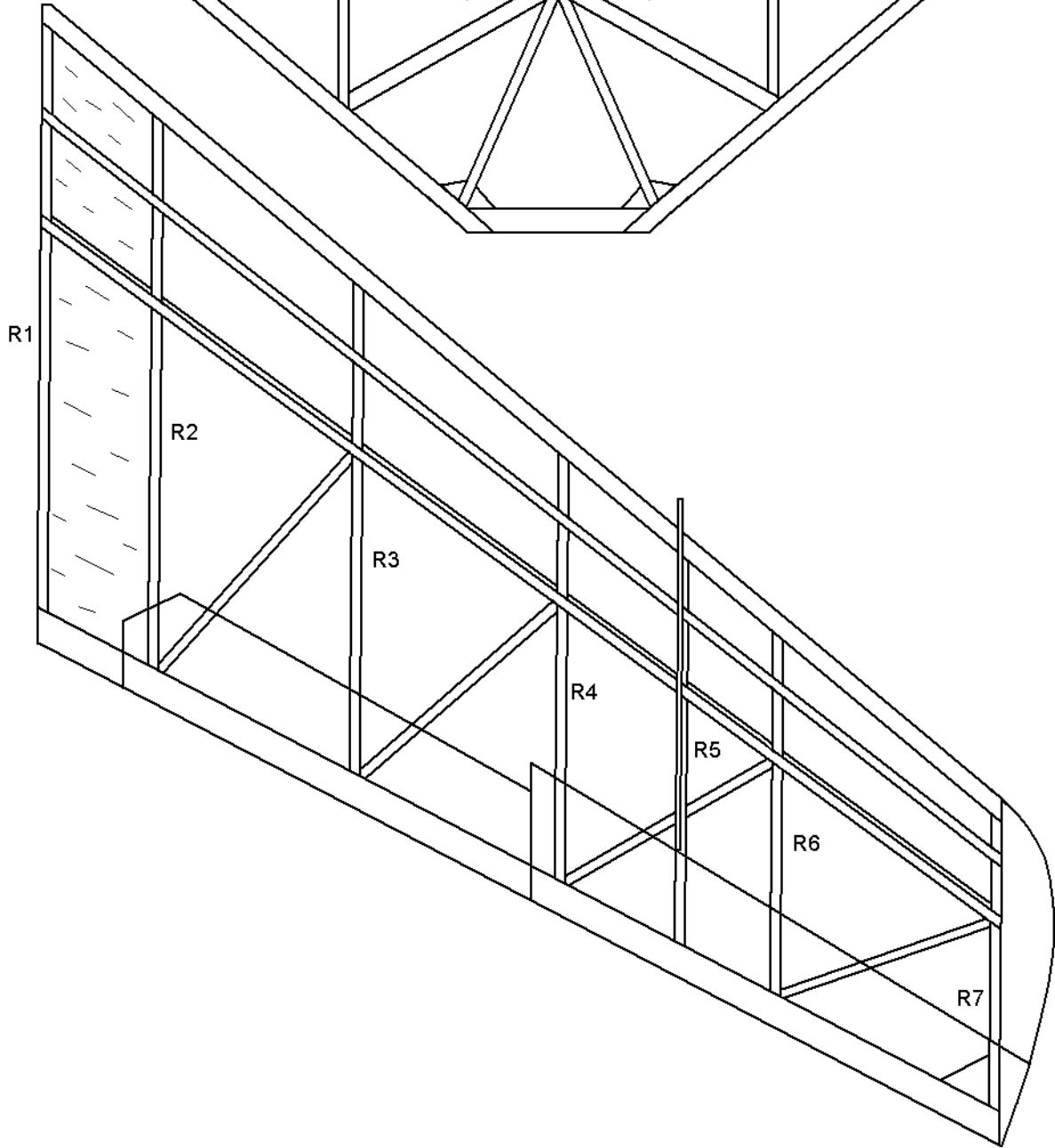
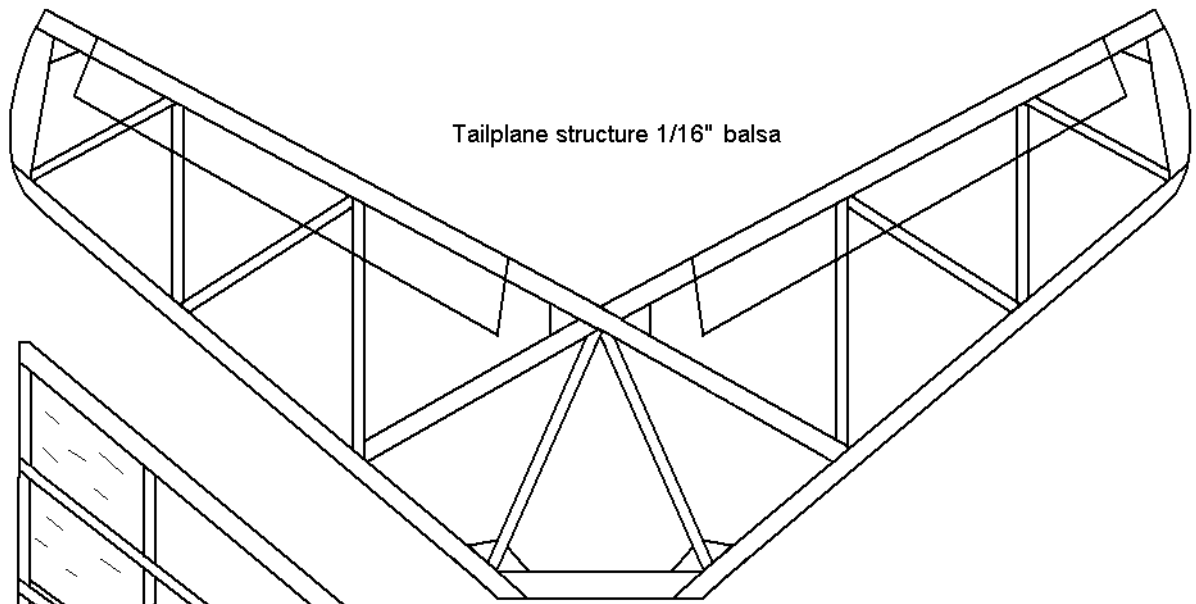
All wing ribs 1/16" sheet

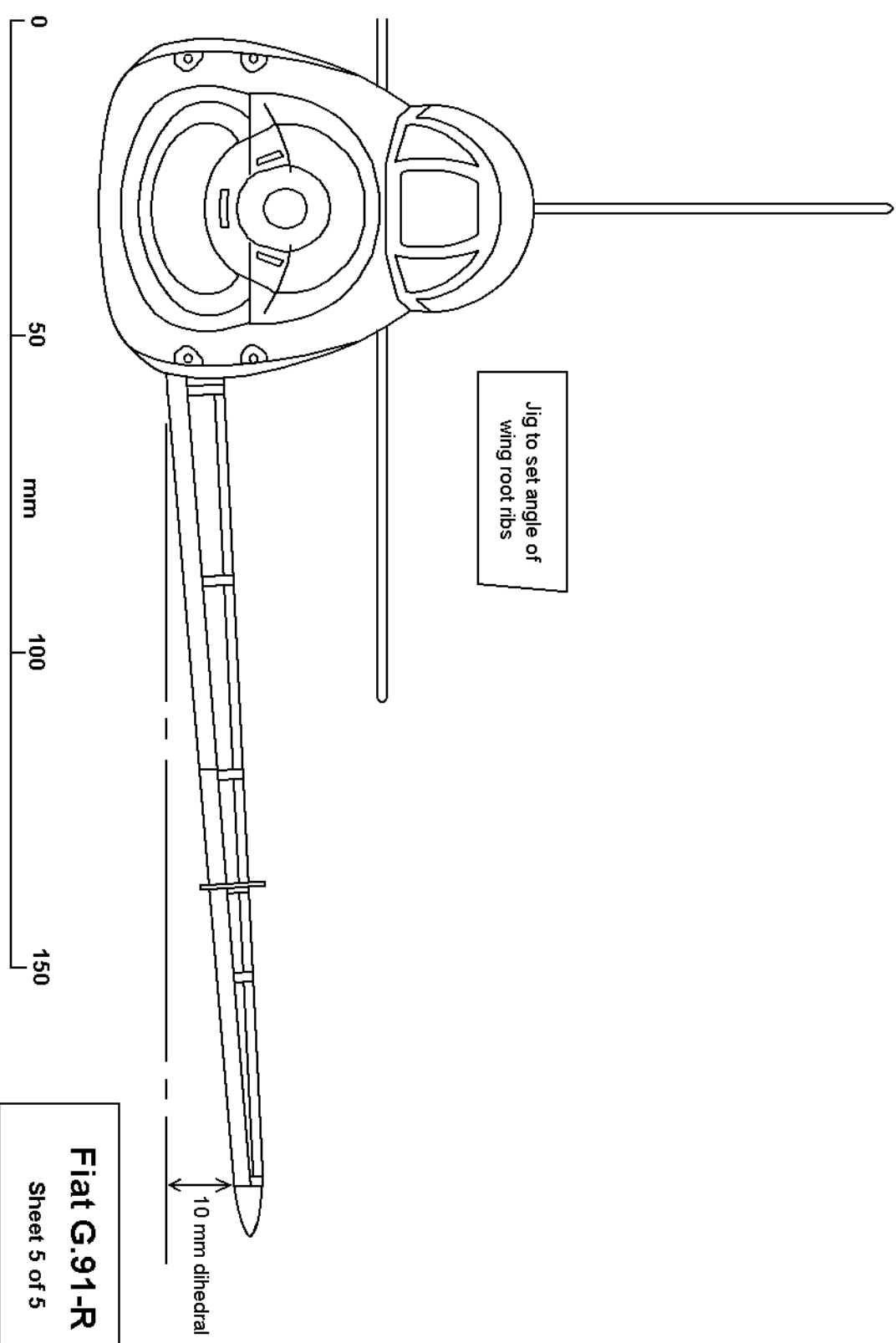


Web in front of main spars with 1/32" sheet (grain vertical)

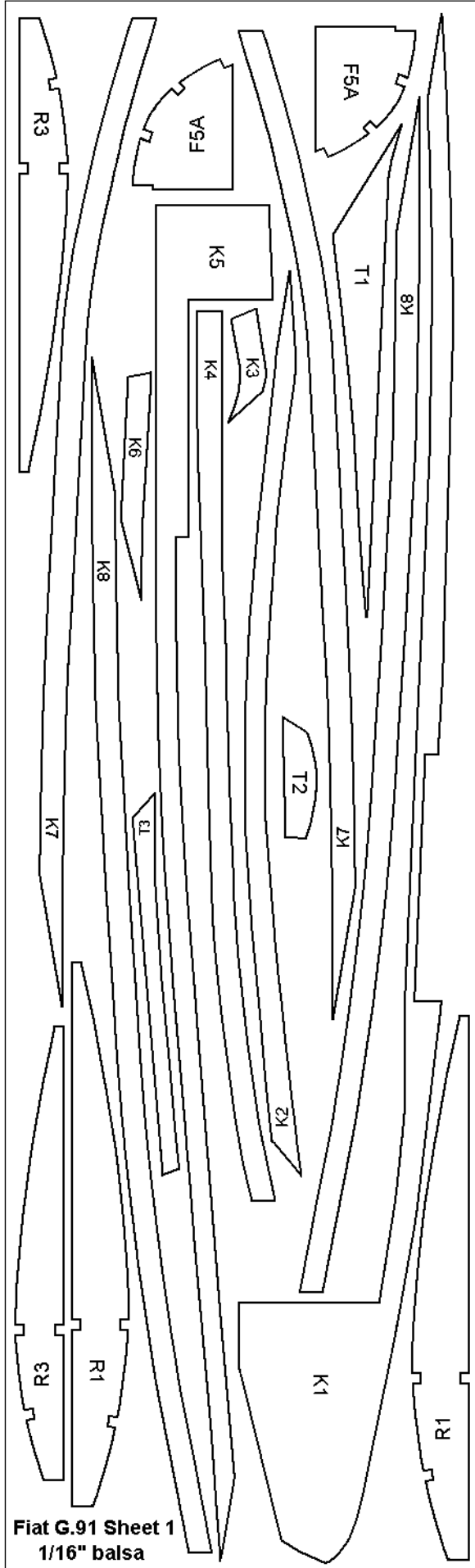
Tips from soft block







3"



T

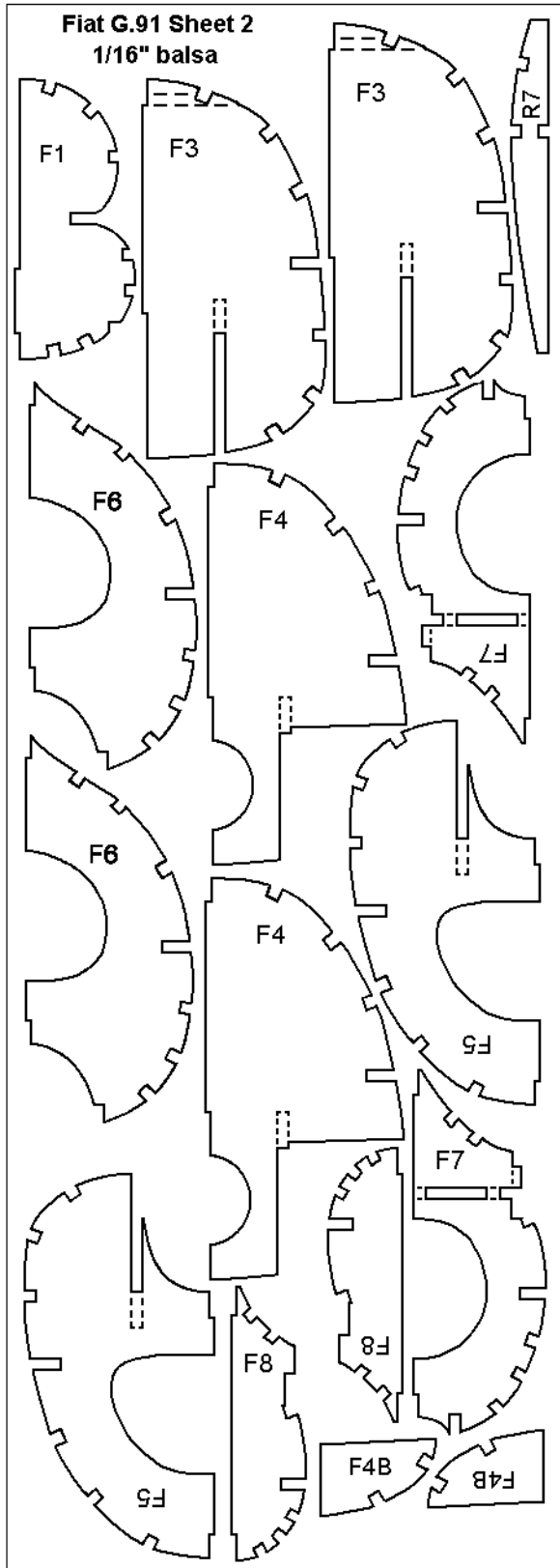
T

T

T

Fiat G.91 Sheet 1
1/16" balsa

3"



+

+

+

+

+

