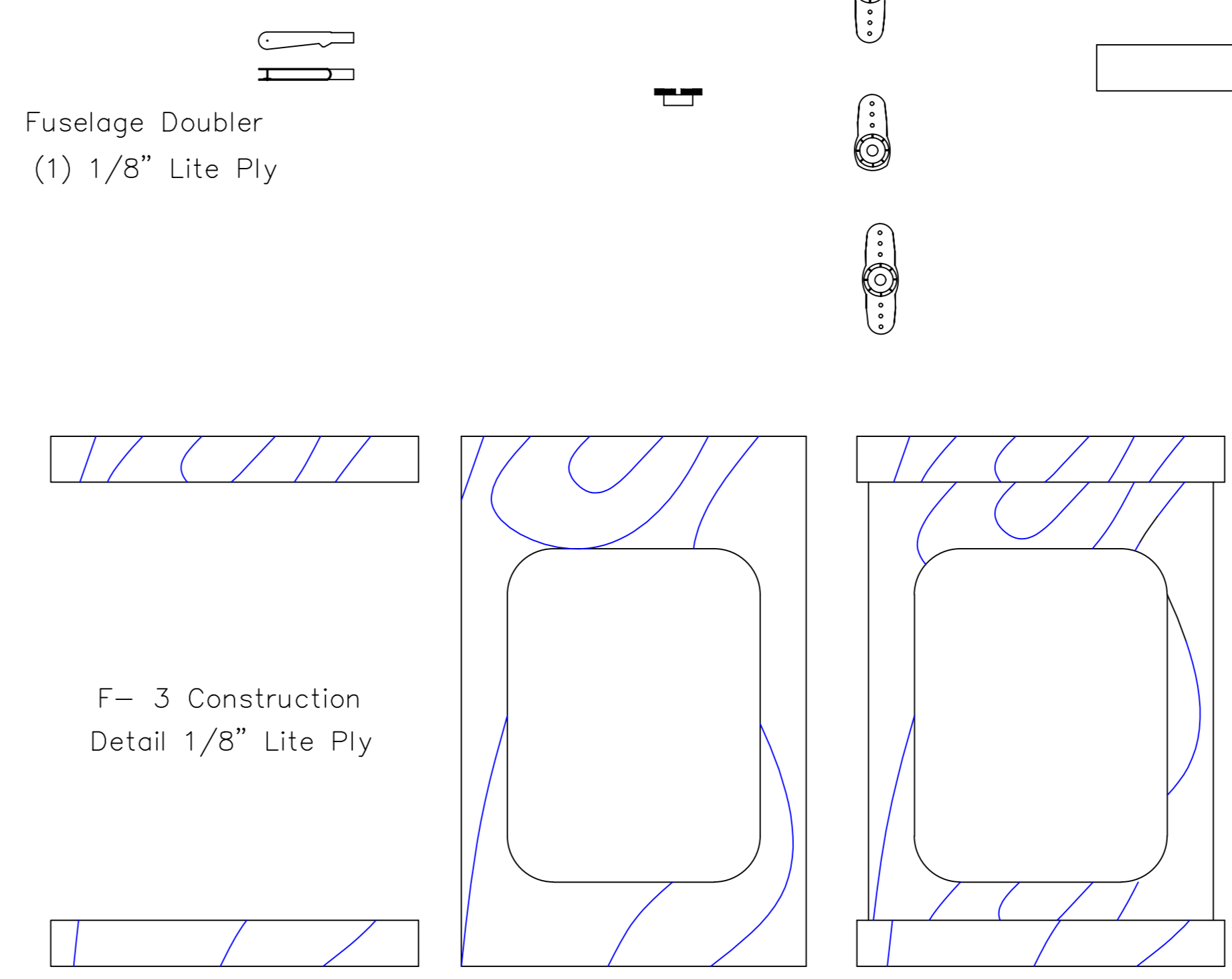
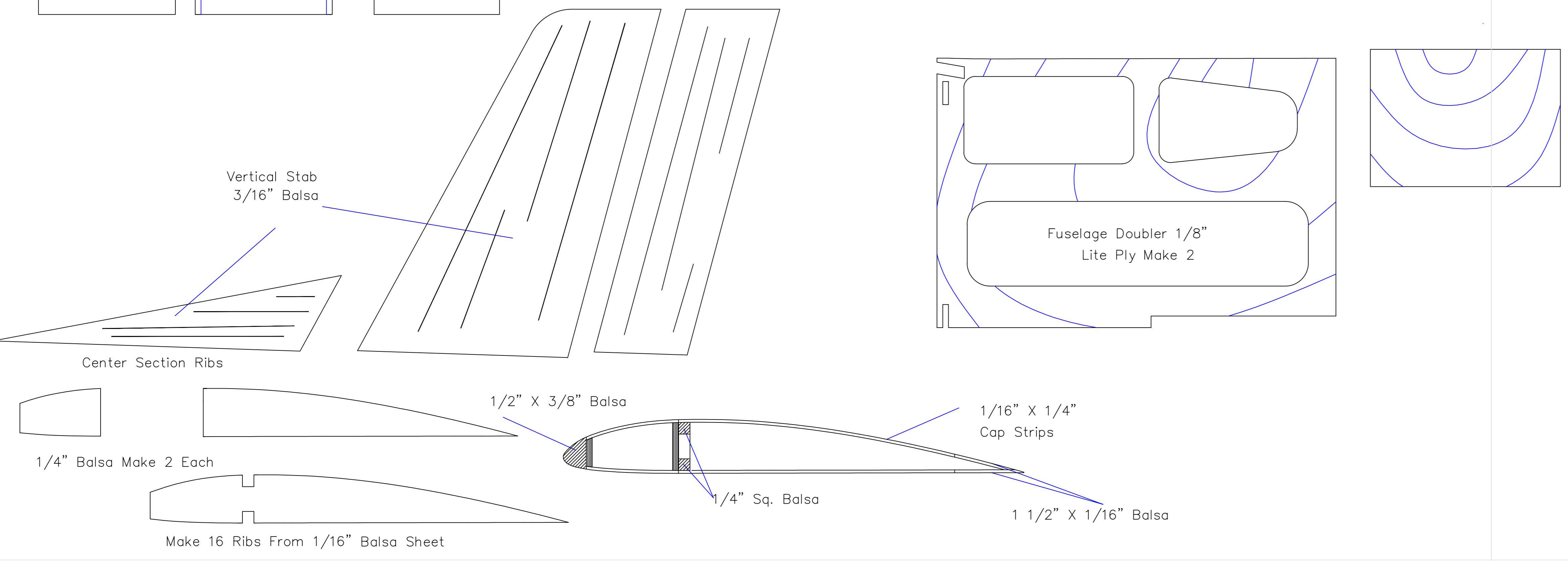
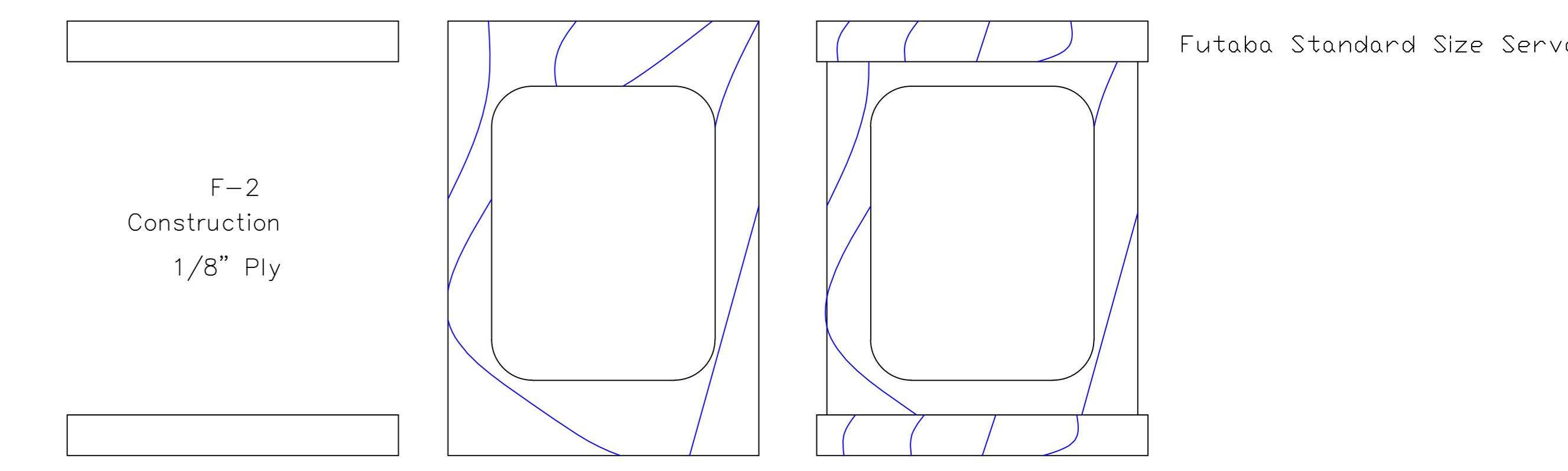
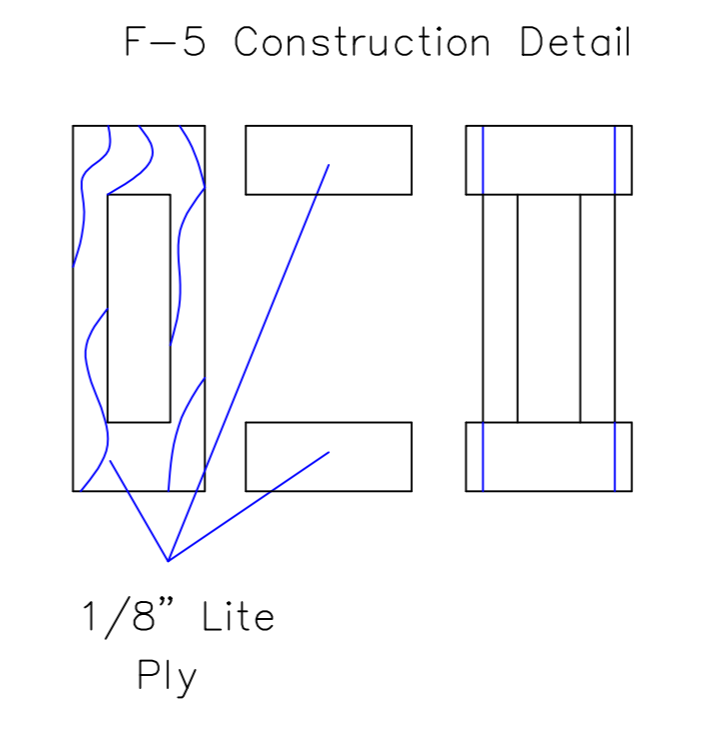
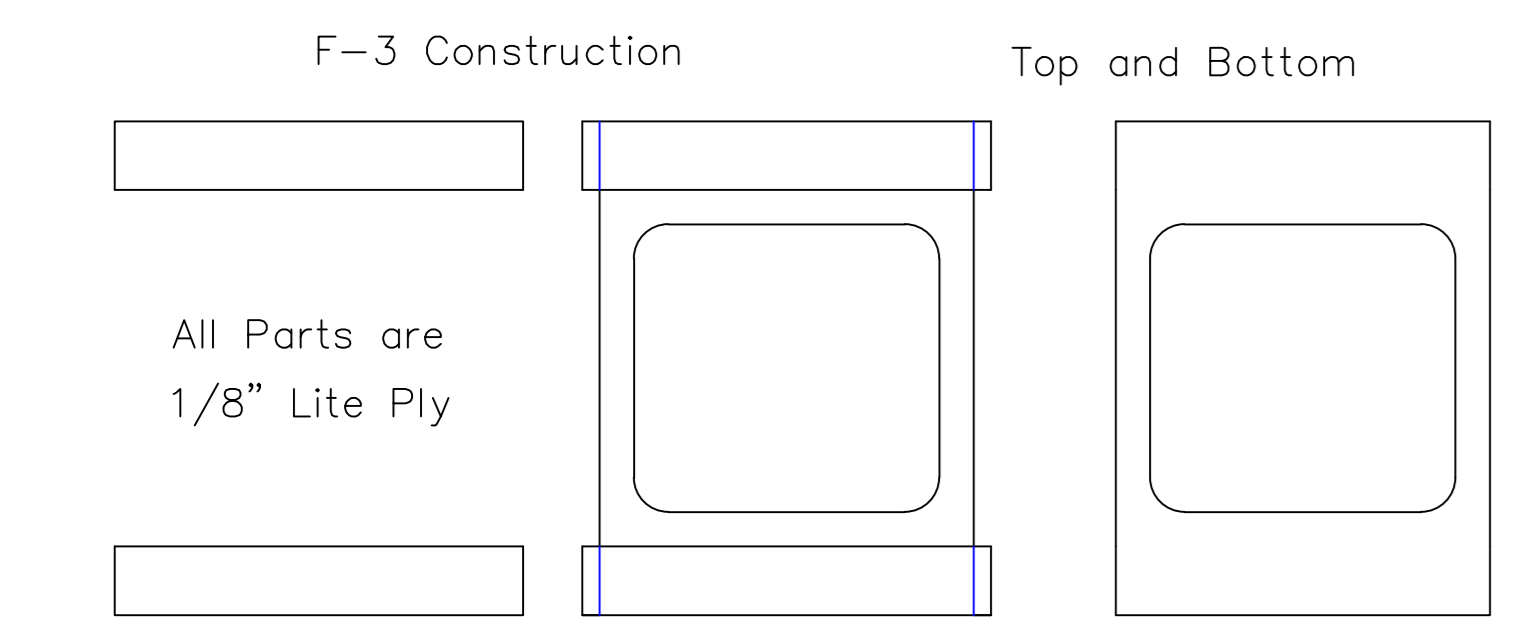
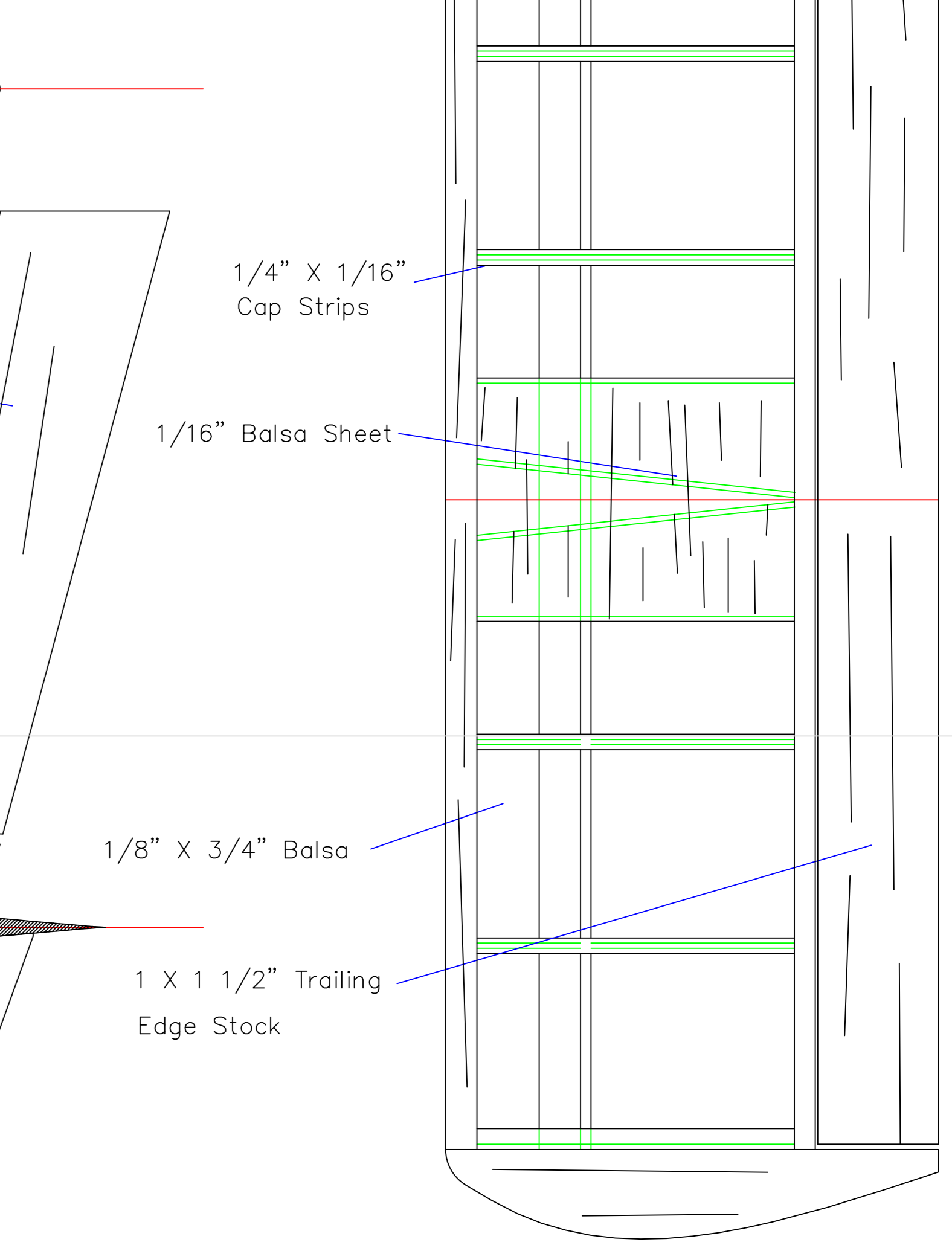
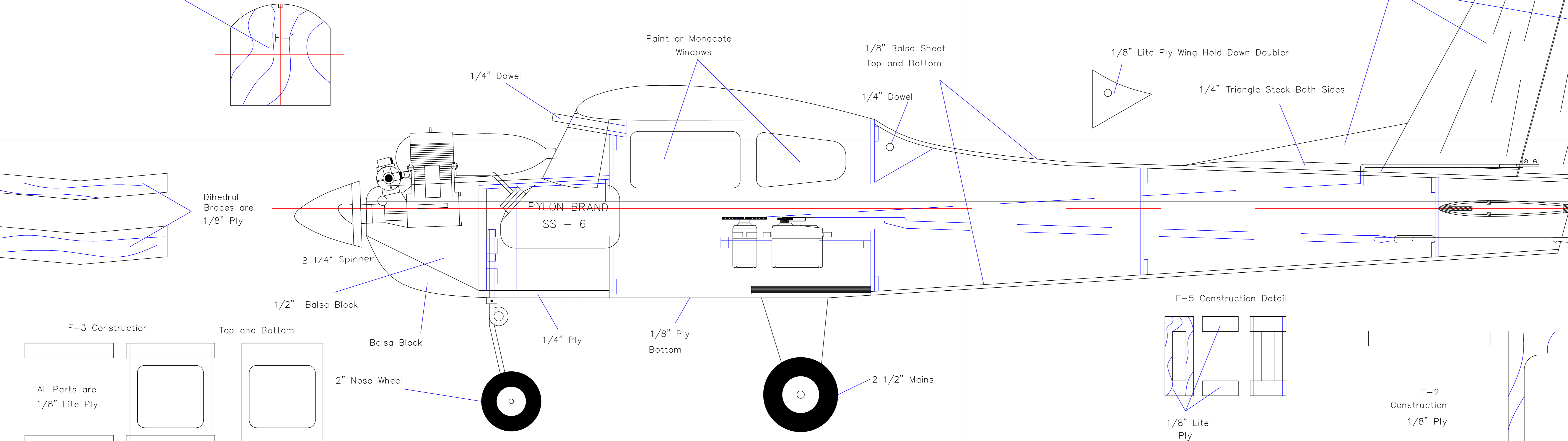
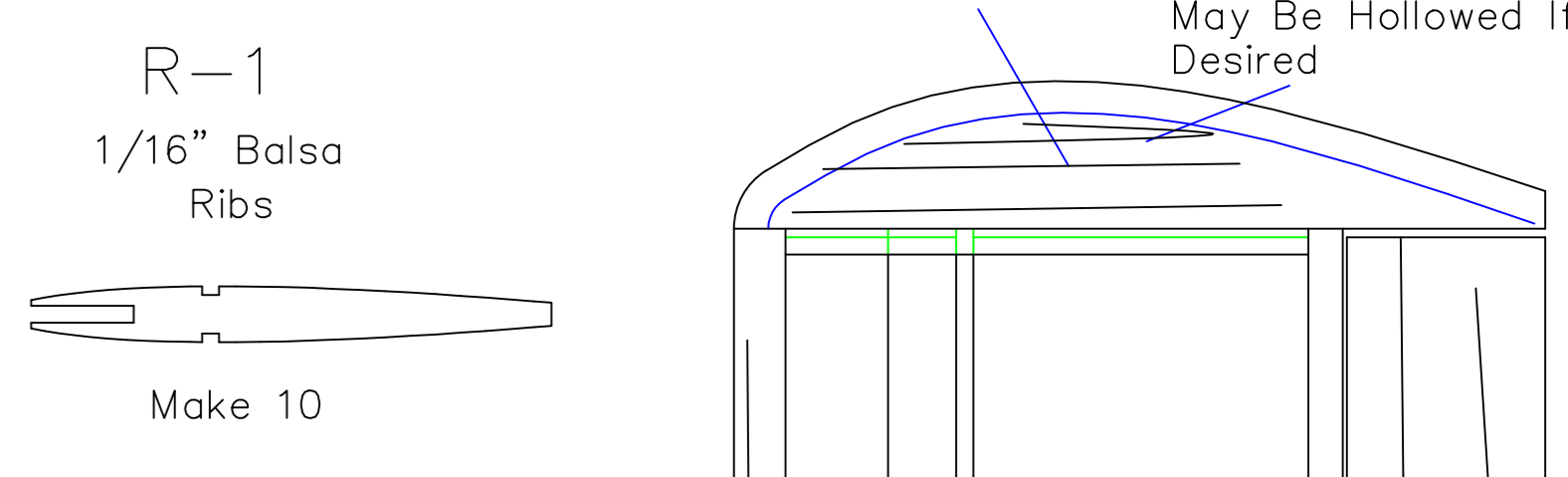
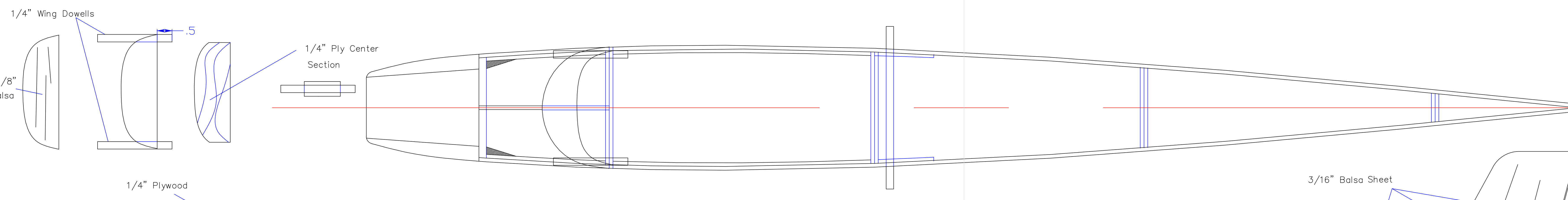
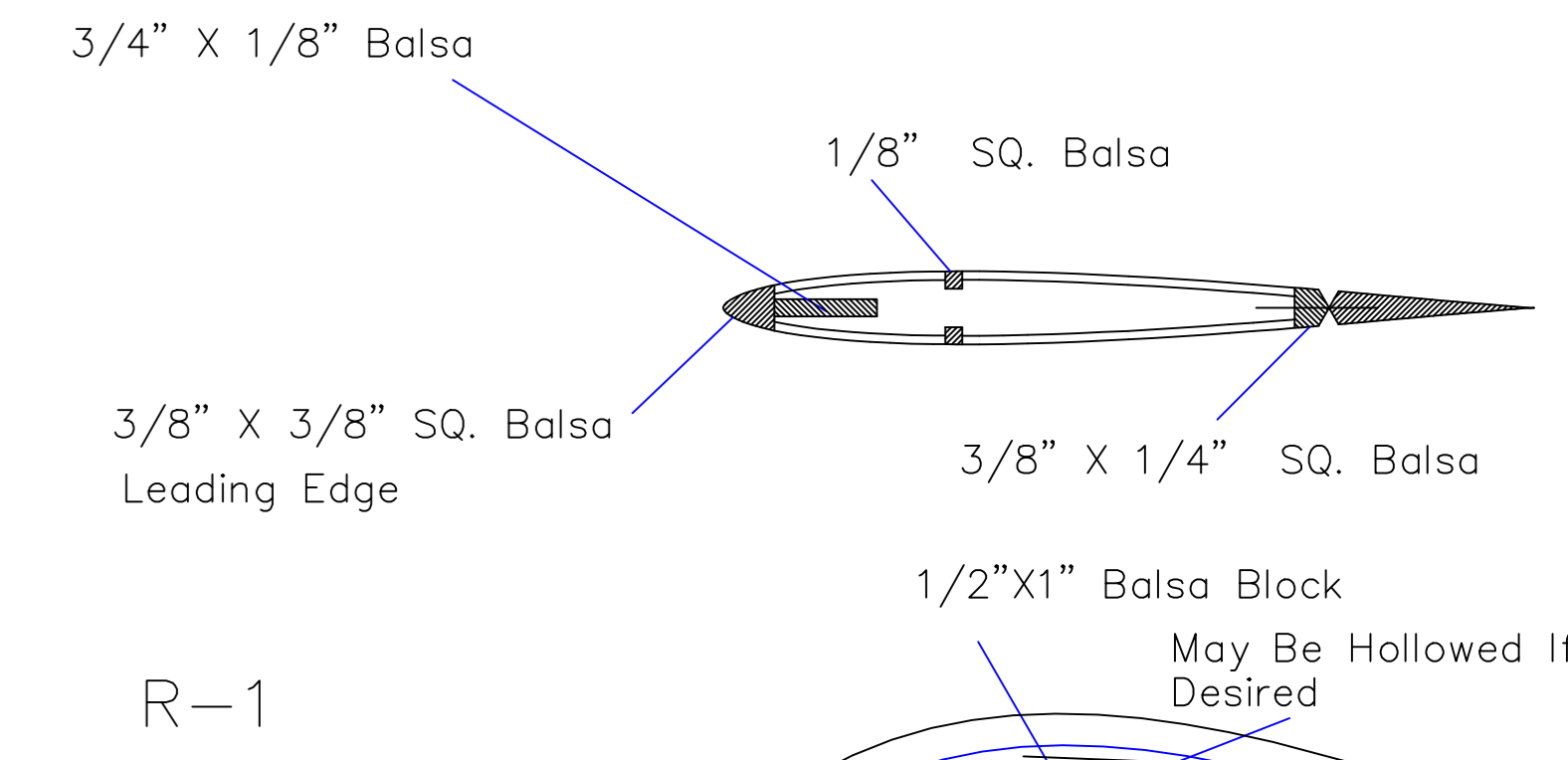
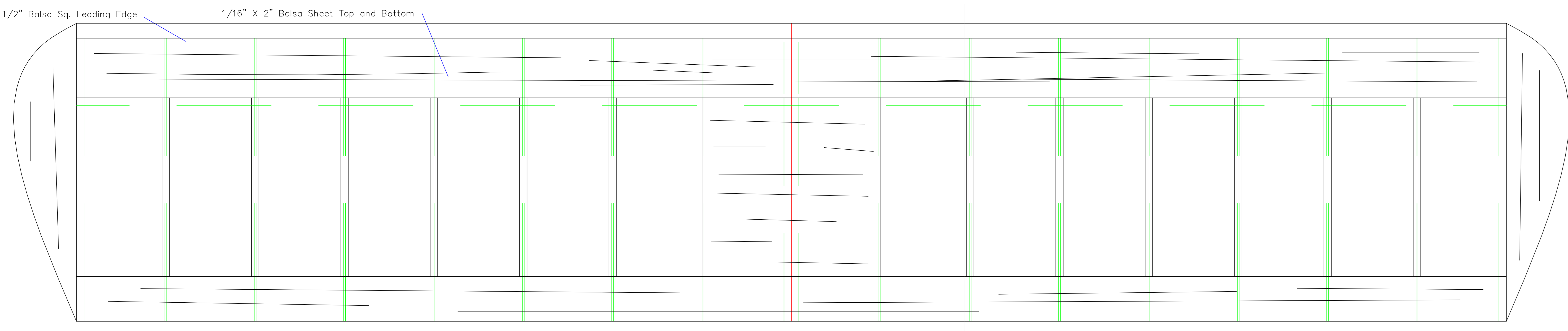


BILL OF MATERIAL

- (1) 1/4" x 4" x 36" Balsa
- (10) 1/16" x 4" x 36" Balsa
- (5) 1/8" x 4" x 36" Balsa
- (1) 3/16" x 4" x 36" Balsa
- (2) 1/2" x 3/8" x 36" Balsa, LEADING EDGE.
- (2) 1/4" x 1/4" x 36" Balsa, TRIANGLE STECK.
- (1) 3/8" x 3/8" x 36" Balsa, SQUARE STICK.
- (1) 1/4" x 3/8" x 36" Balsa, SQUARE STICK.
- (3) 1/4" x 1-1/2" x 36" Balsa, TRAILING EDGE.
- (1) 1" x 3" x 30" Balsa, BLOCK.
- (6) 1/8" x 6" x 12" LITE PLY



The StarCad 150-R

While its not quite finished yet, this little sport trainer. It sports a .40 wing span. I plan on building it with L and balsa. Should be fun.

Drawing modified by  **Cessna 150 Trainer**