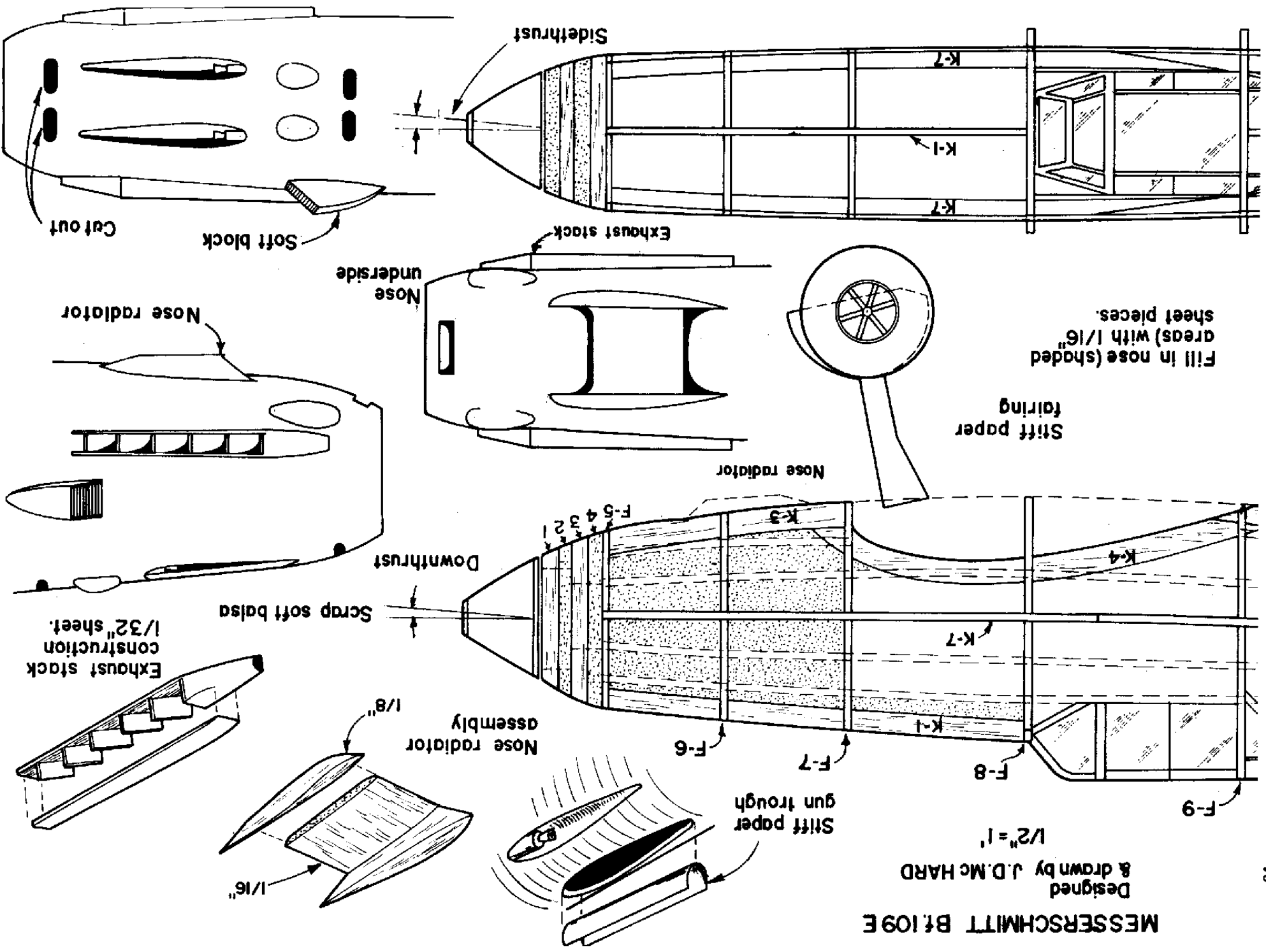
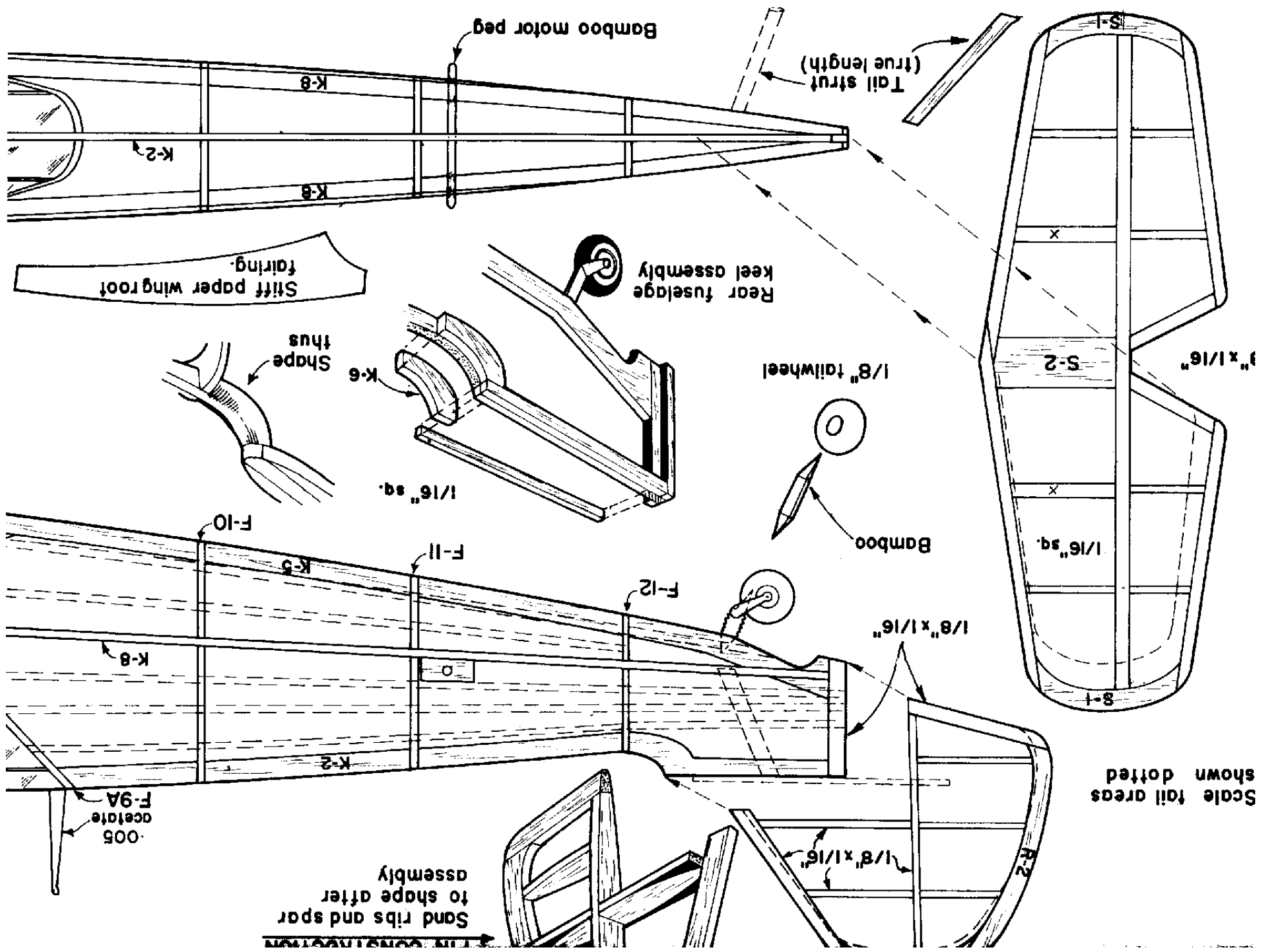


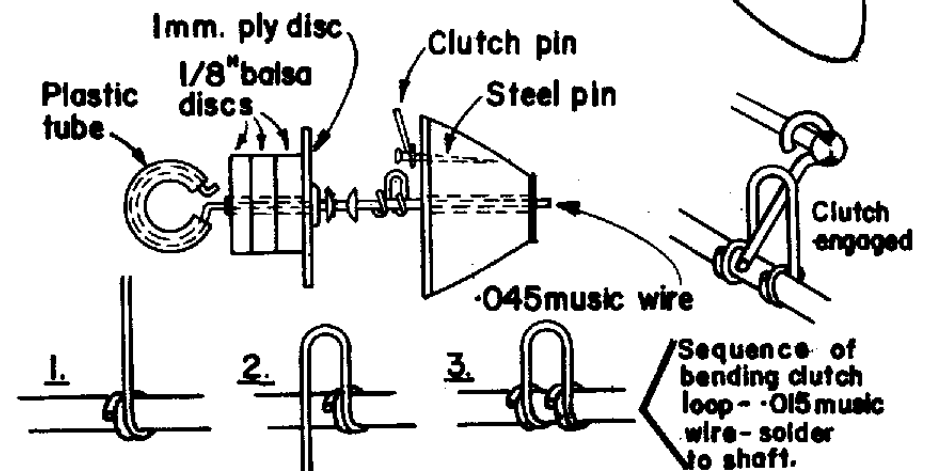
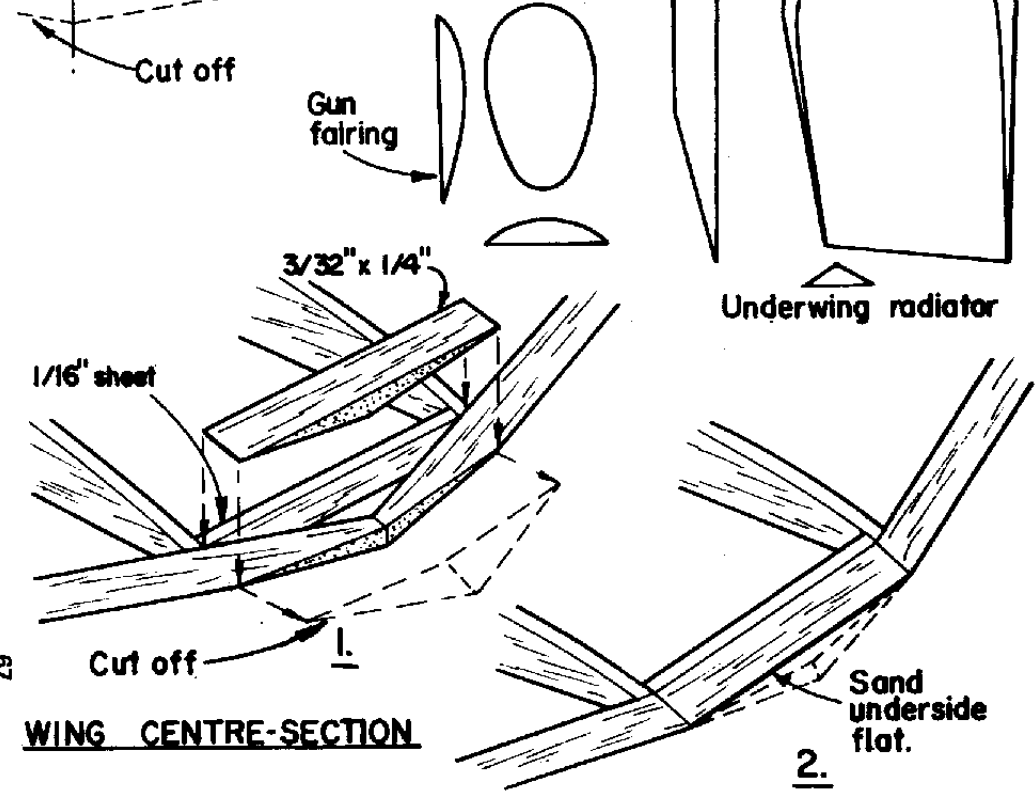
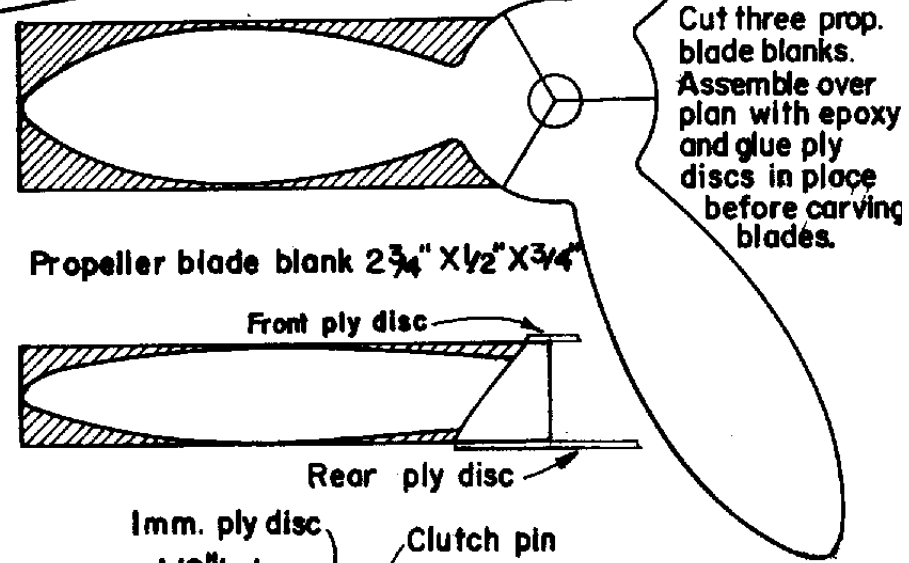
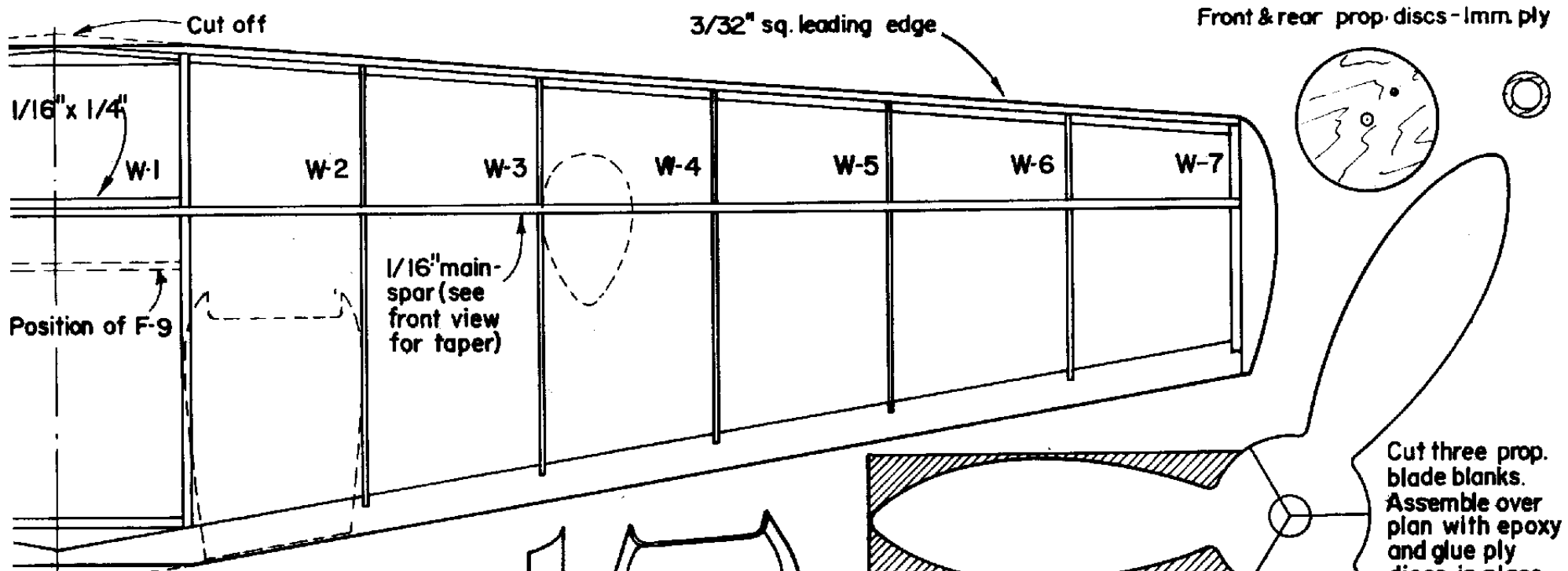
MESSERSCHMITT B4109E

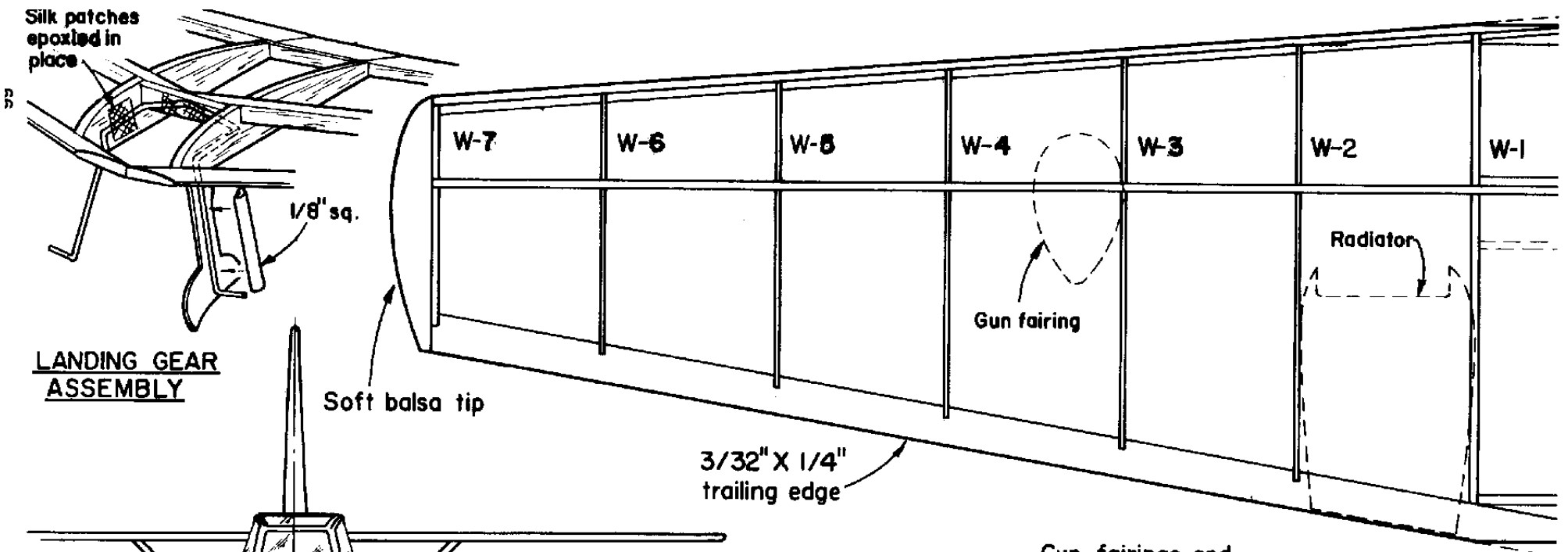
Designed & drawn by J.D. McHARD

1/2" = 1'

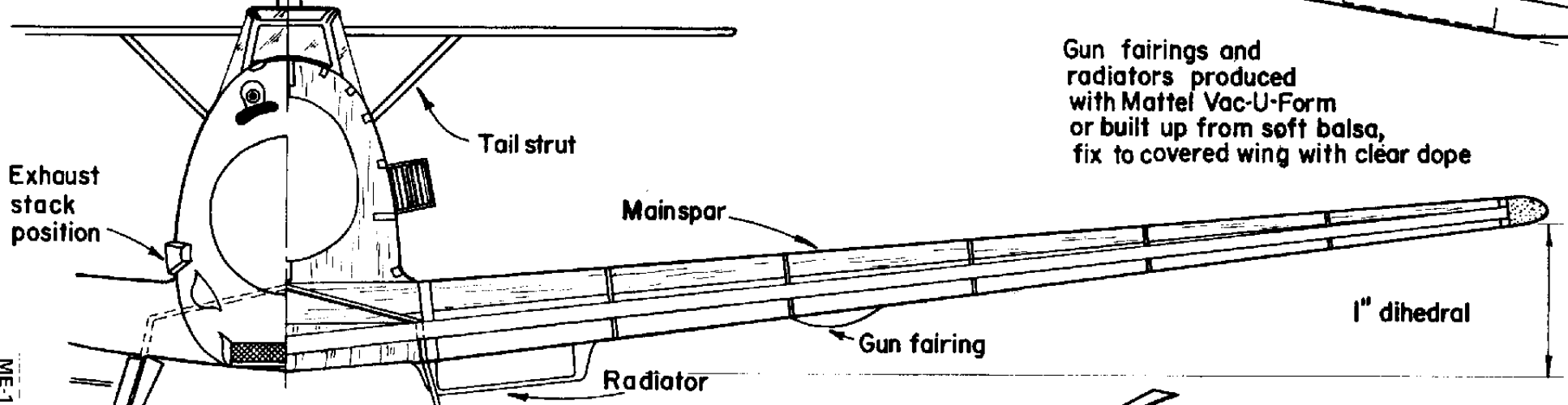








LANDING GEAR ASSEMBLY



Gun fairings and radiators produced with Mattel Vac-U-Form or built up from soft balsa, fix to covered wing with clear dope

ME-109

