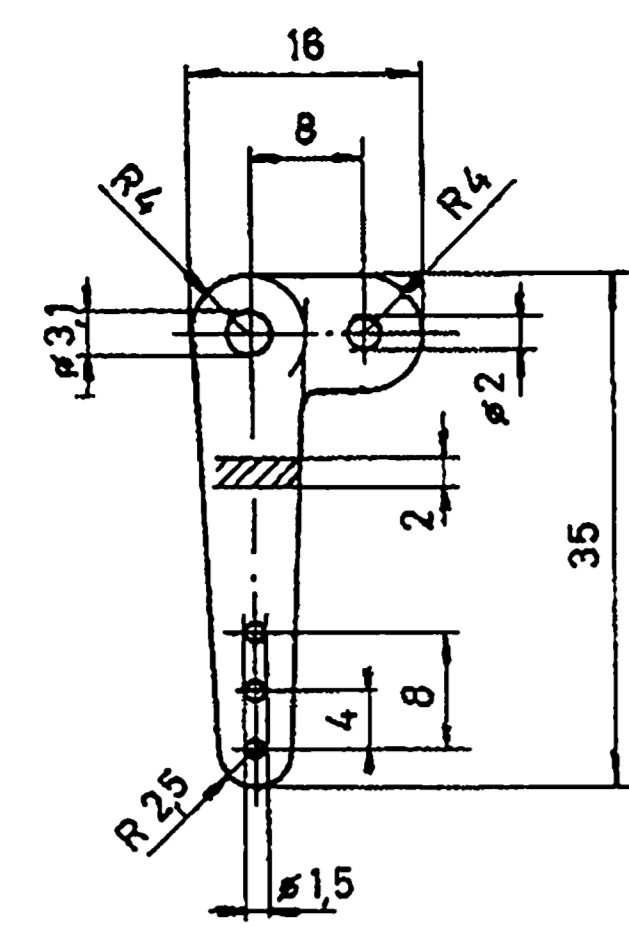
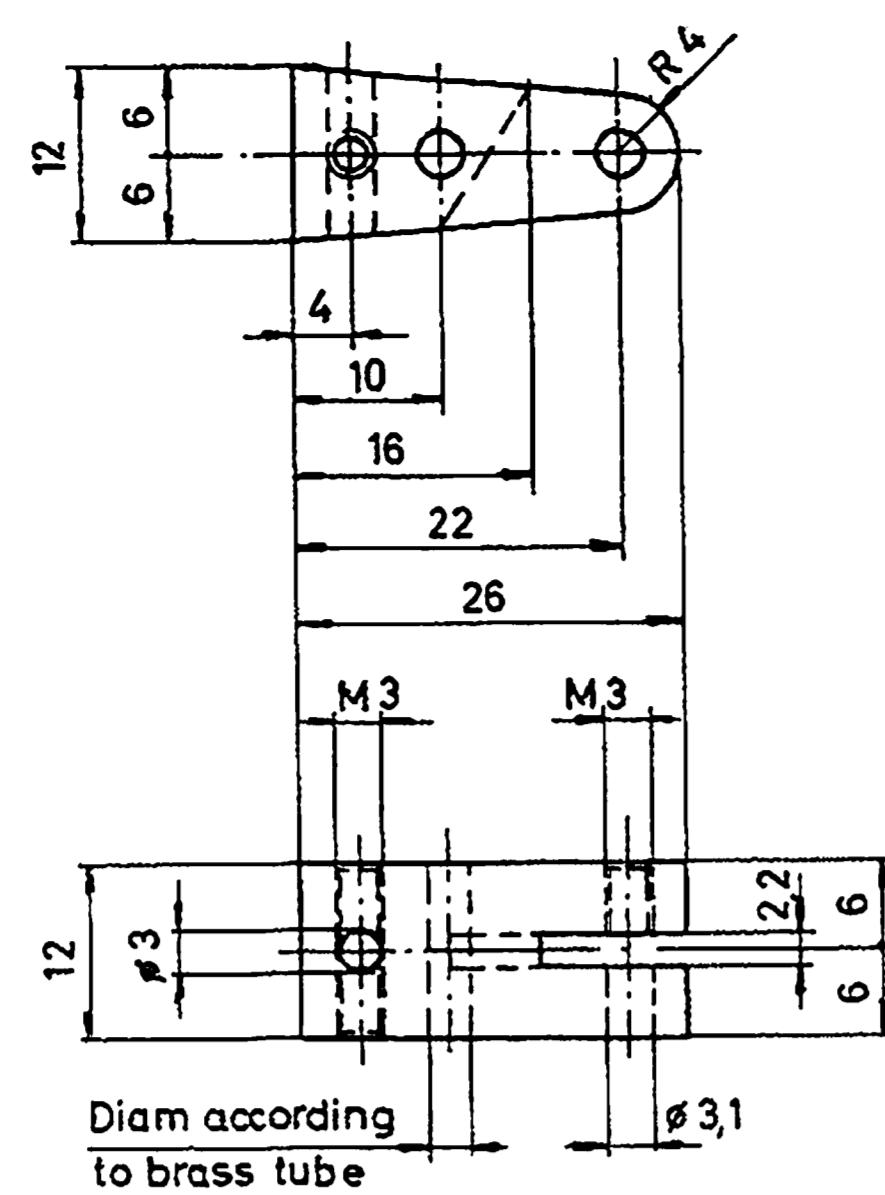


Fill space between spars with balsa

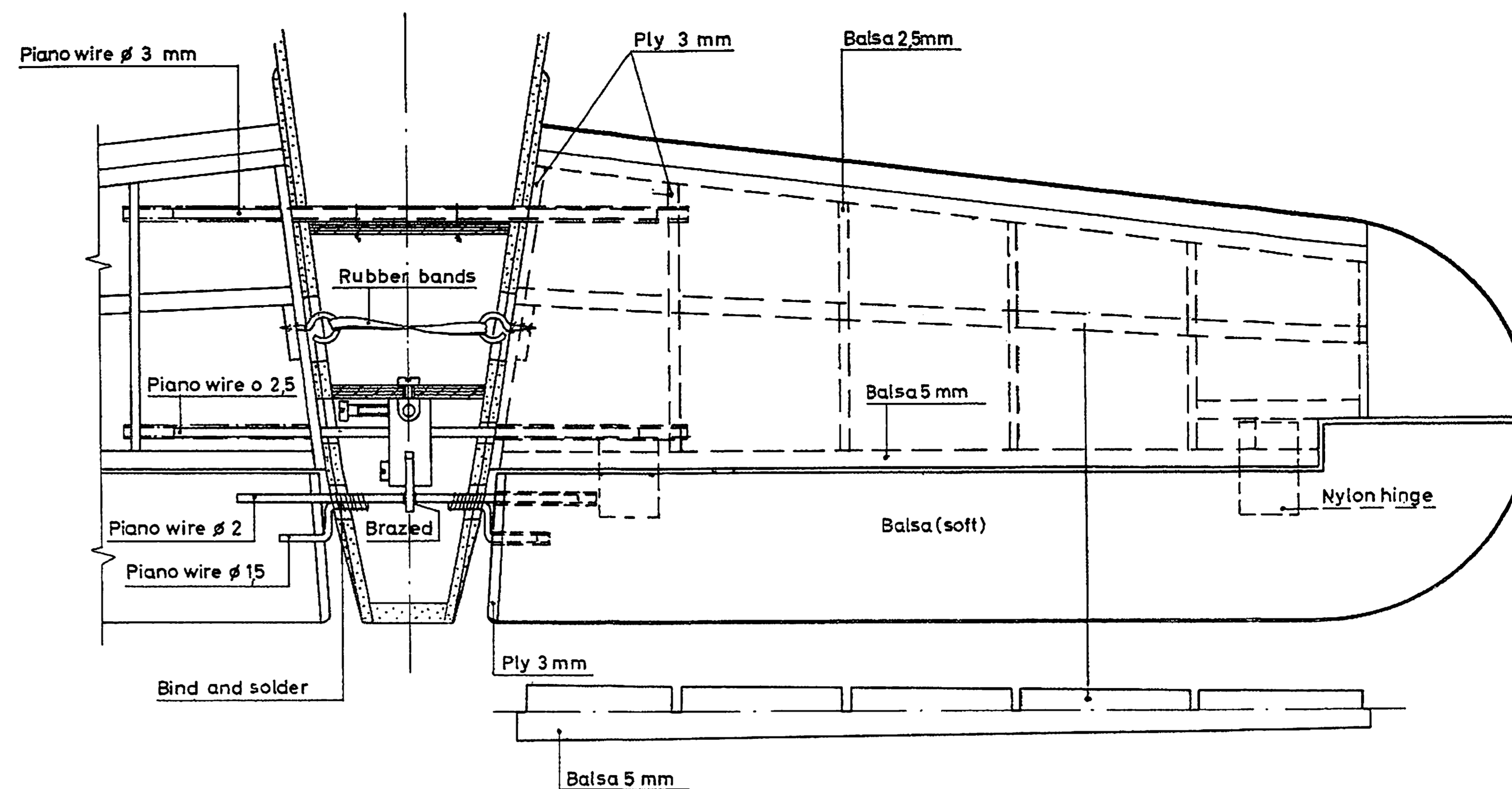
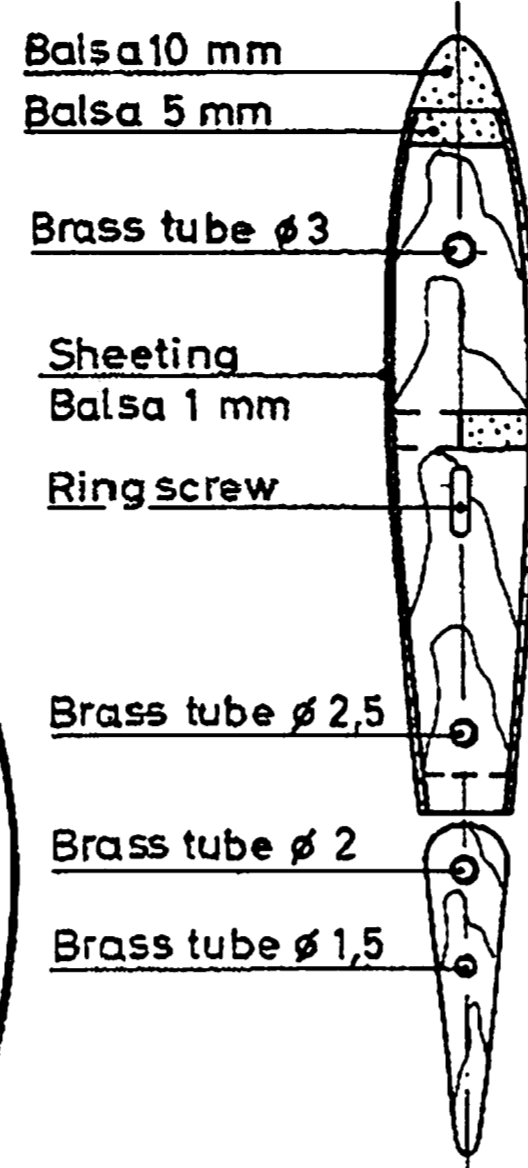
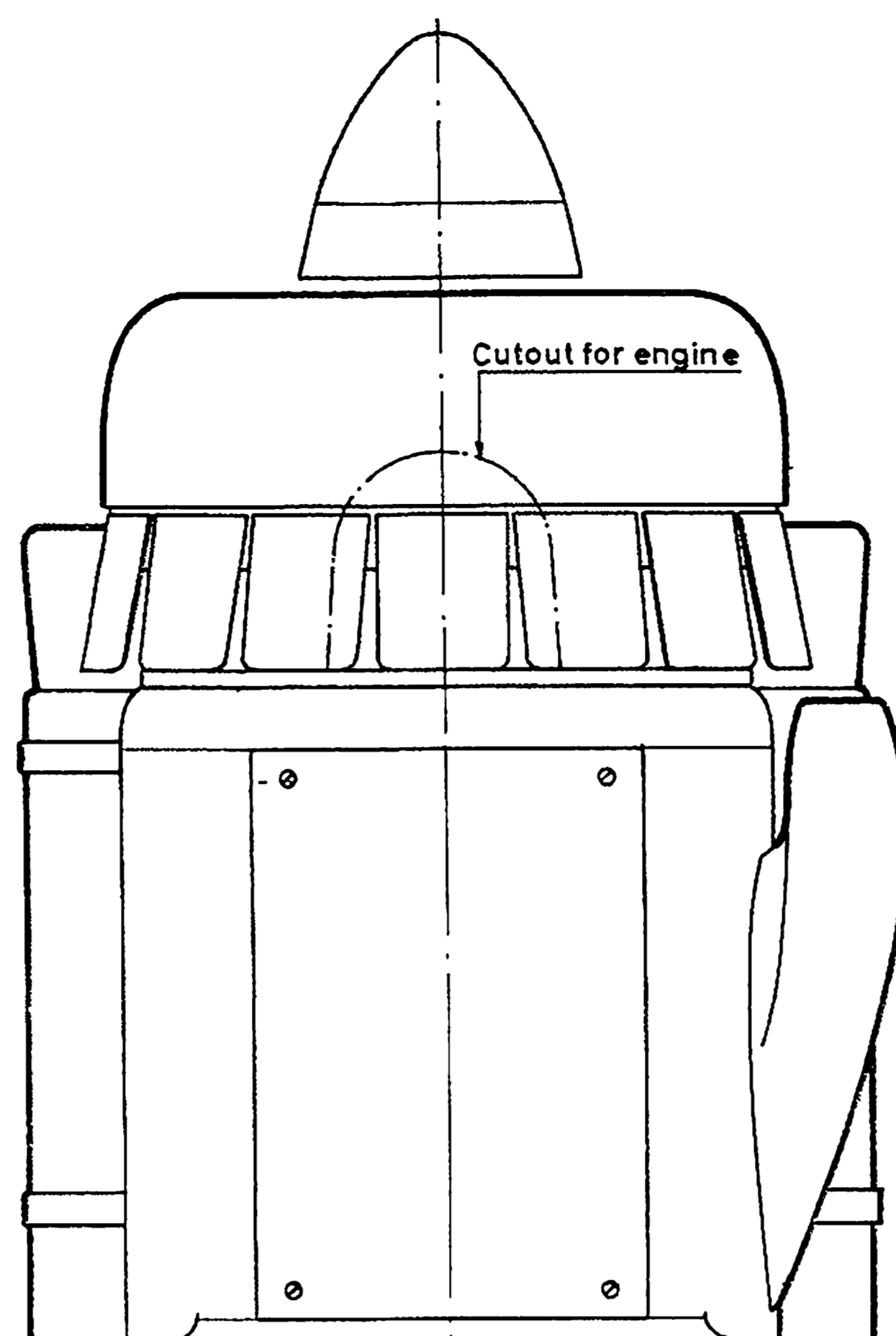
Speed indicator
(Ball pen mine)



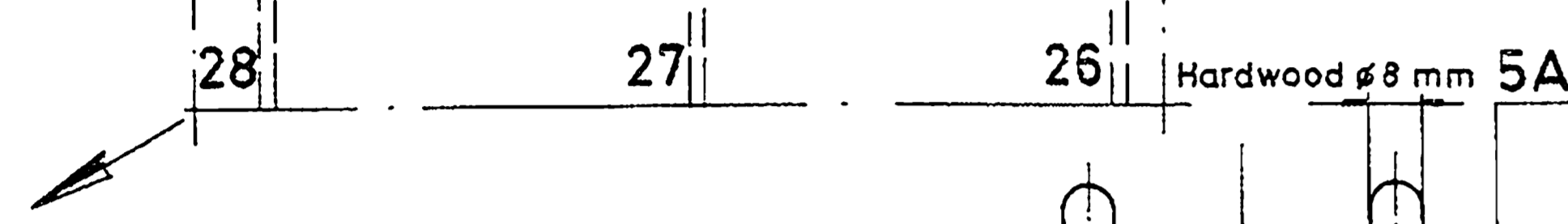
17 Brass
Scale 2:1
Landing lights
Frame: cardboard
Reflector: Alum. 0.2 mm
Flashlight bulbs



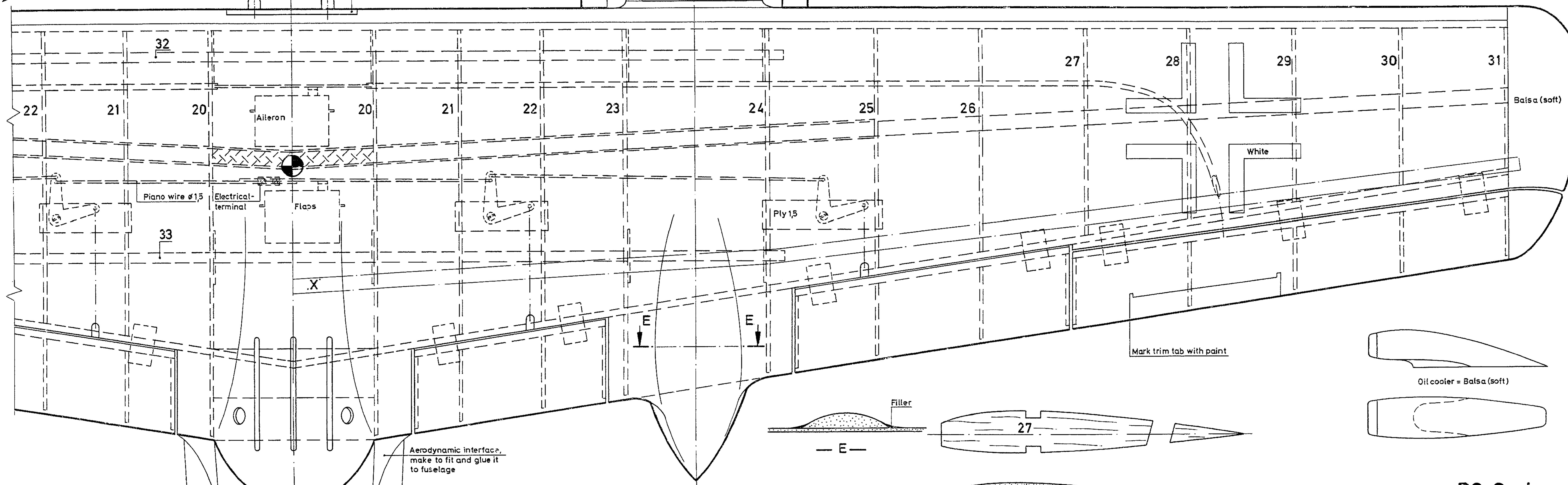
16 Aluminium
Scale 2:1
Diam according to brass tube



Piano wire 3 mm
Ply 3 mm
Balsa 2.5 mm
Rubber bands
Piano wire 2.5
Balsa 5 mm
Nylon hinge
Piano wire 2
Piano wire 1.5
Balsa (soft)
Ply 3 mm
Balsa 5 mm
Bind and solder
Brazed



Hardwood 8 mm 5A



Piano wire 1.5

Electrical terminal

Flaps

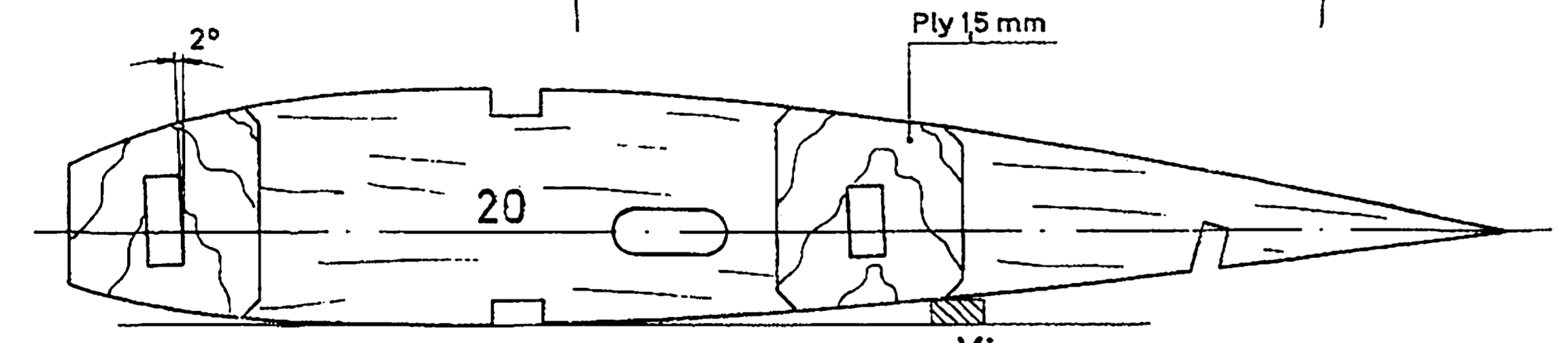
Ply 1.5

Aerodynamic interface, make to fit and glue it to fuselage

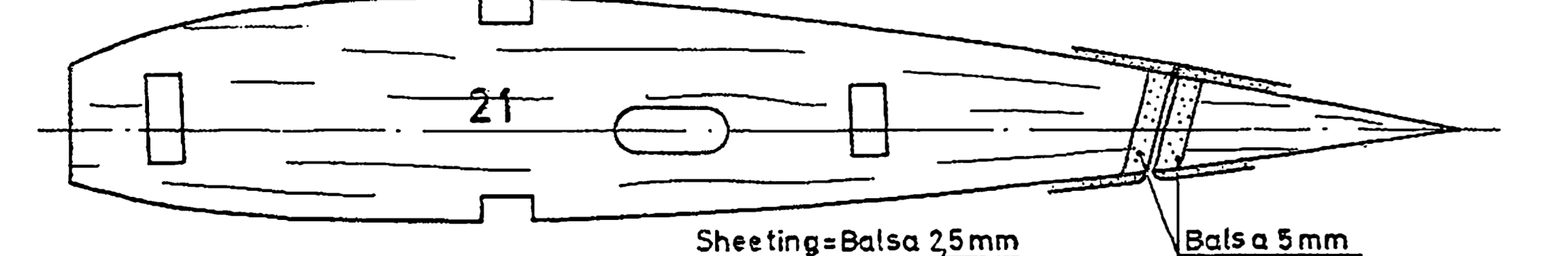
Mark trim tab with paint

Oil cooler = Balsa (soft)

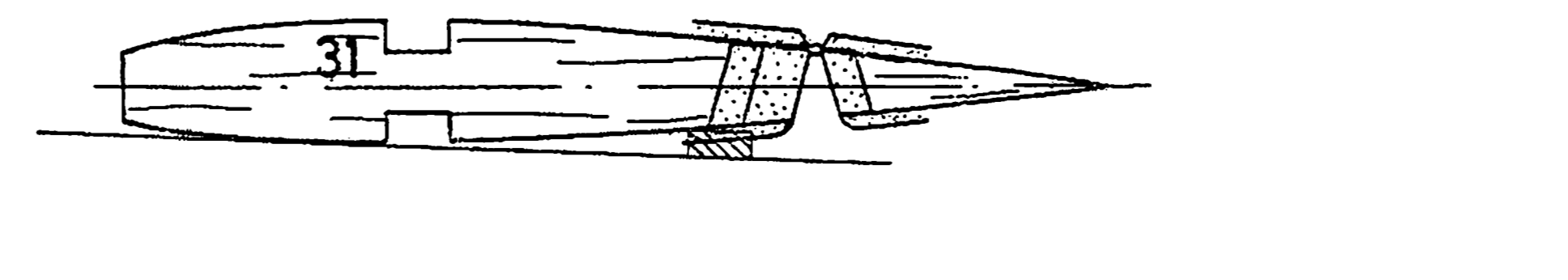
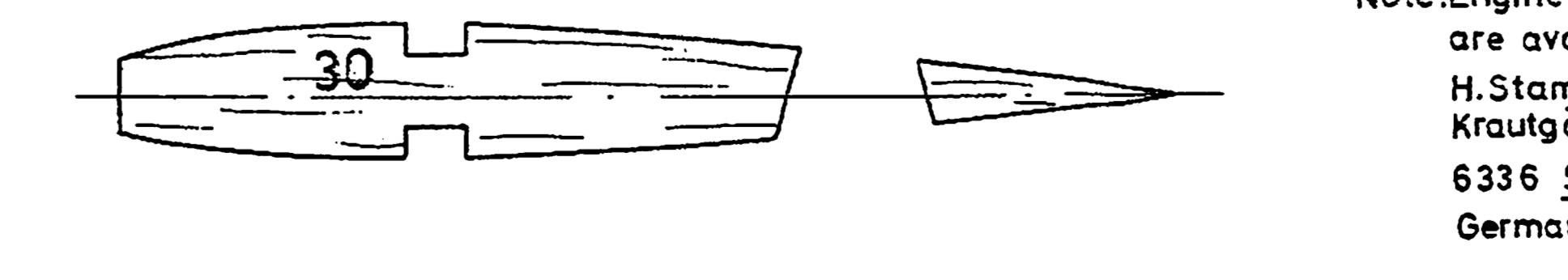
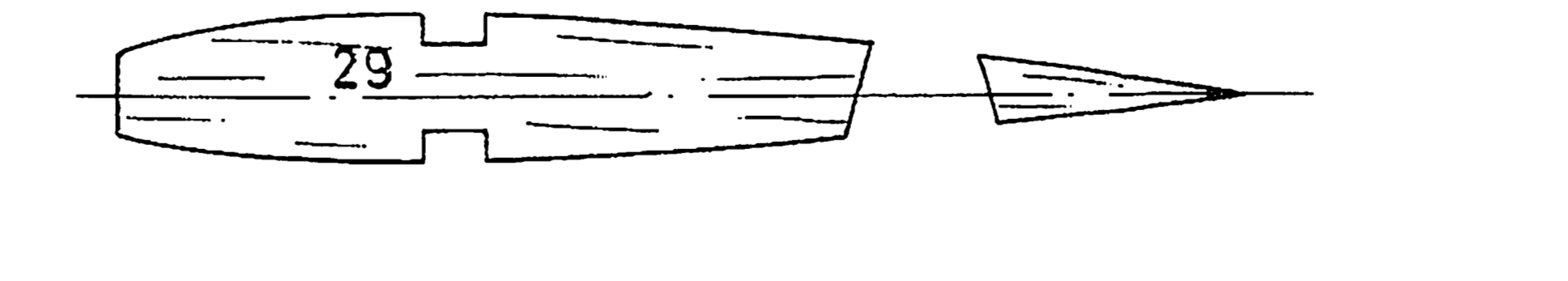
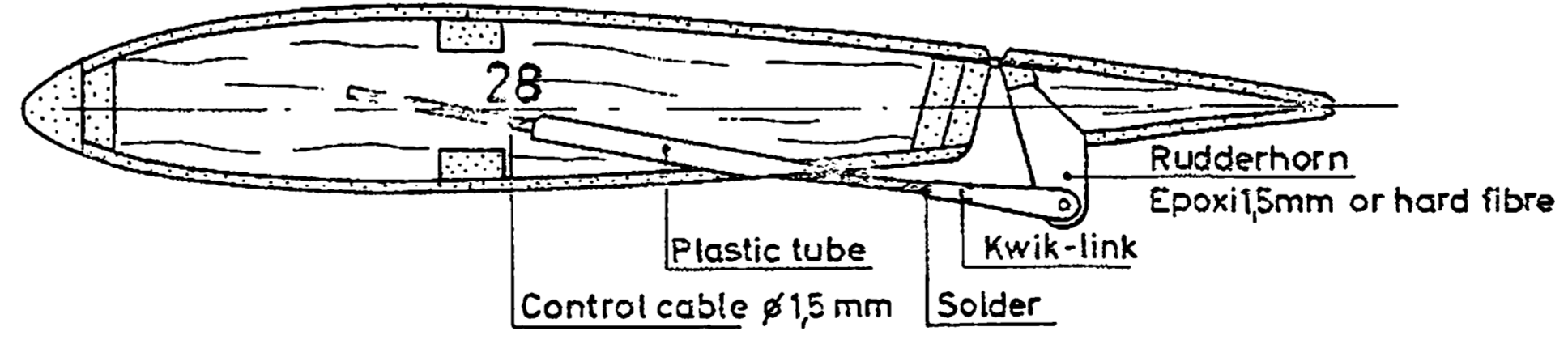
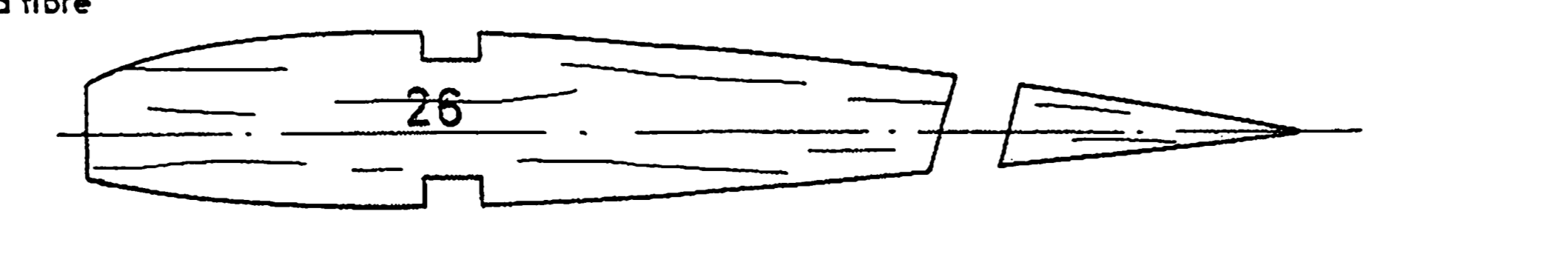
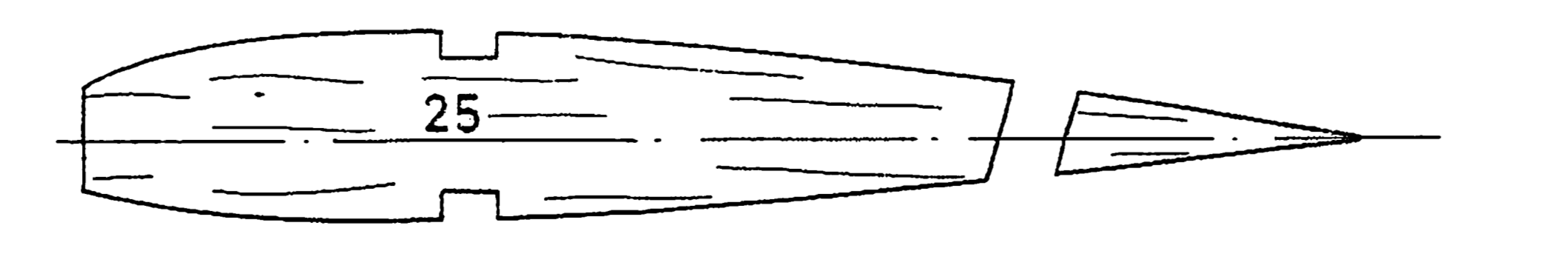
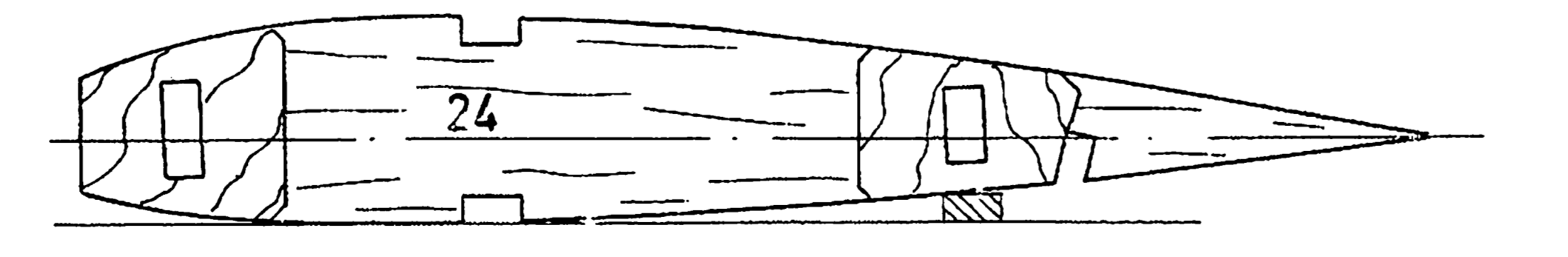
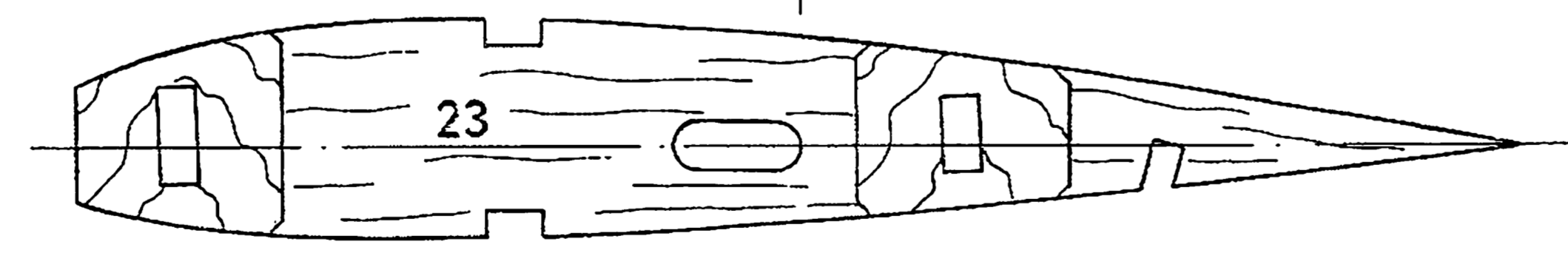
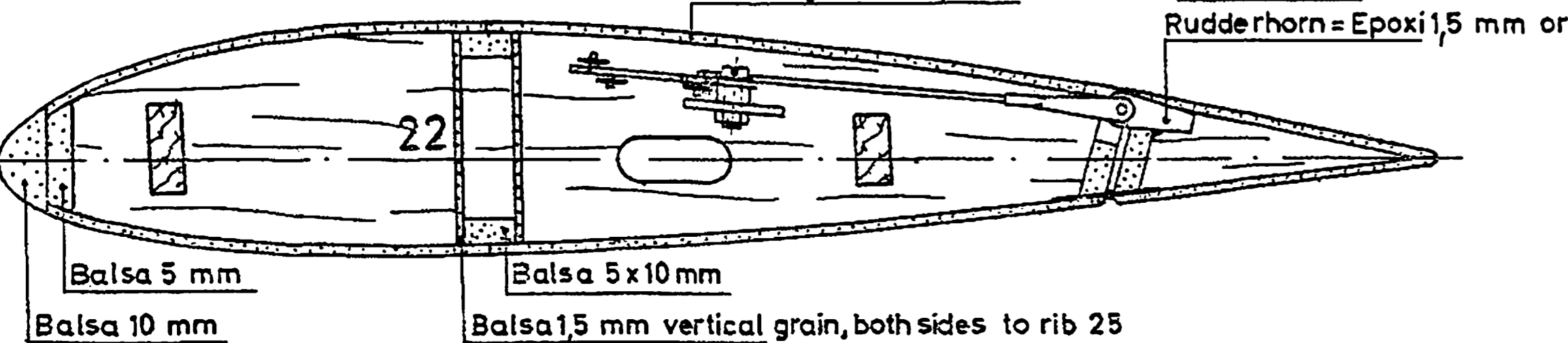
All ribs = Balsa 2.5 mm



X = Balsa 5 x 10 mm, shim during construction

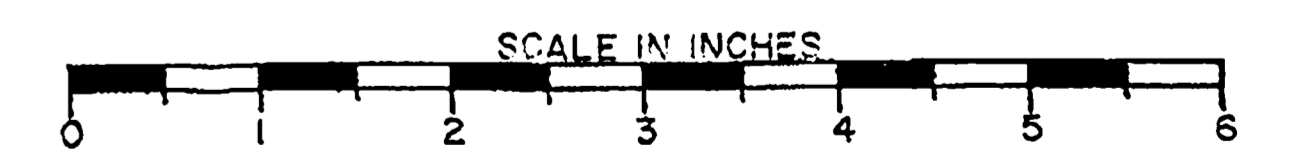


Rudderhorn = Epoxi 1.5 mm or hard fibre



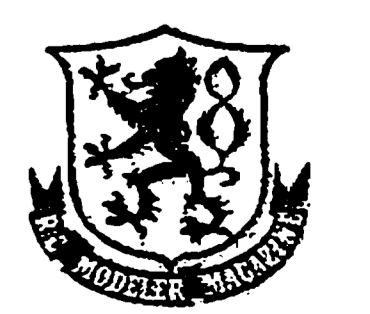
Note: Engine cowls, canopy are available from:
H. Stamm
Krautgartenstr. 11
6336 Solms
Germany

RC-Scale model
FOCKE-WULF
Ta 154-A1 „Moskito”



Wingspan	1760 mm
Length	1400 mm
Engines	2 x 6 - 6.5 cm (.35 cu in)
Channels	5
Weight	4600 gr (10 lbs)

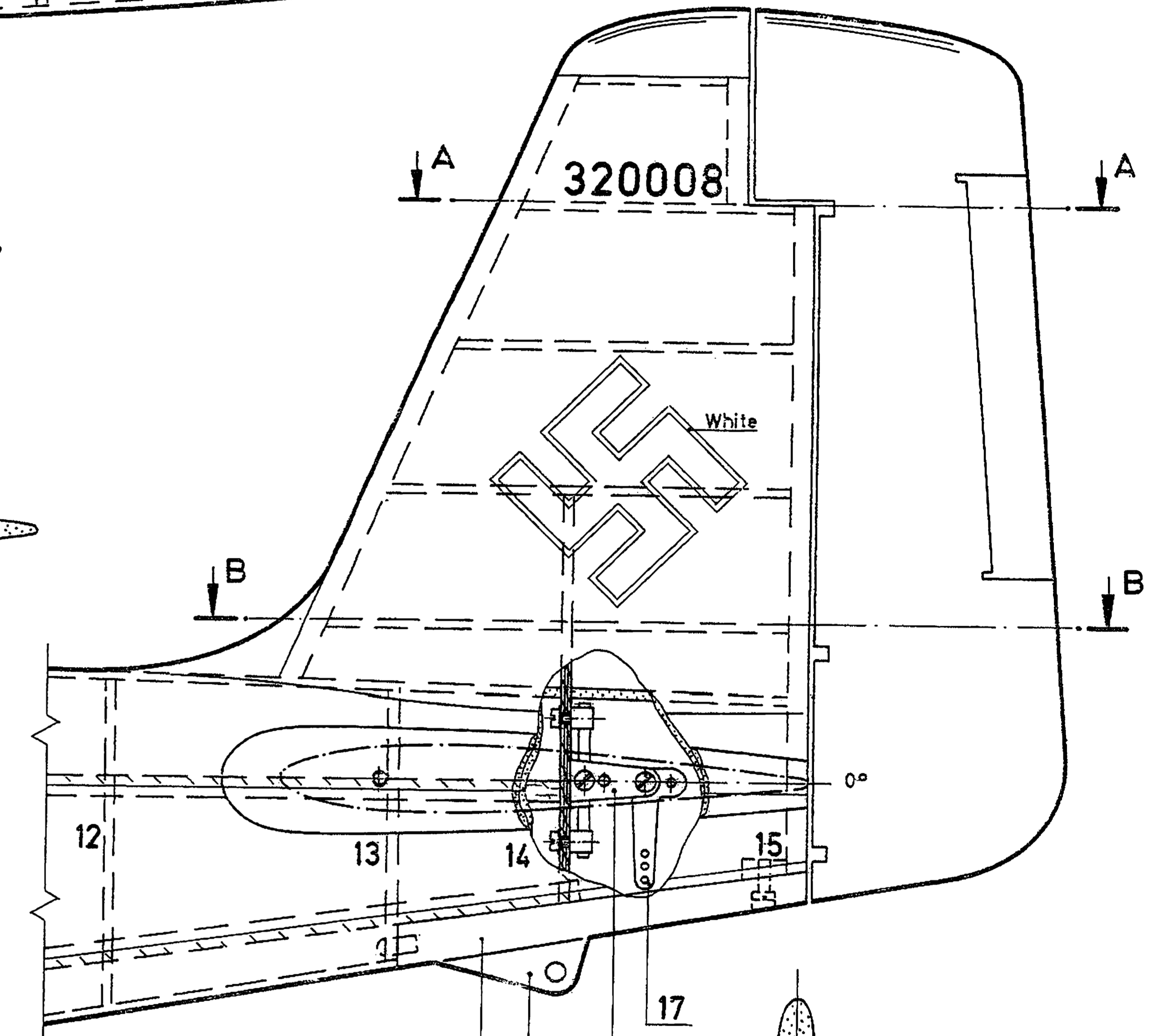
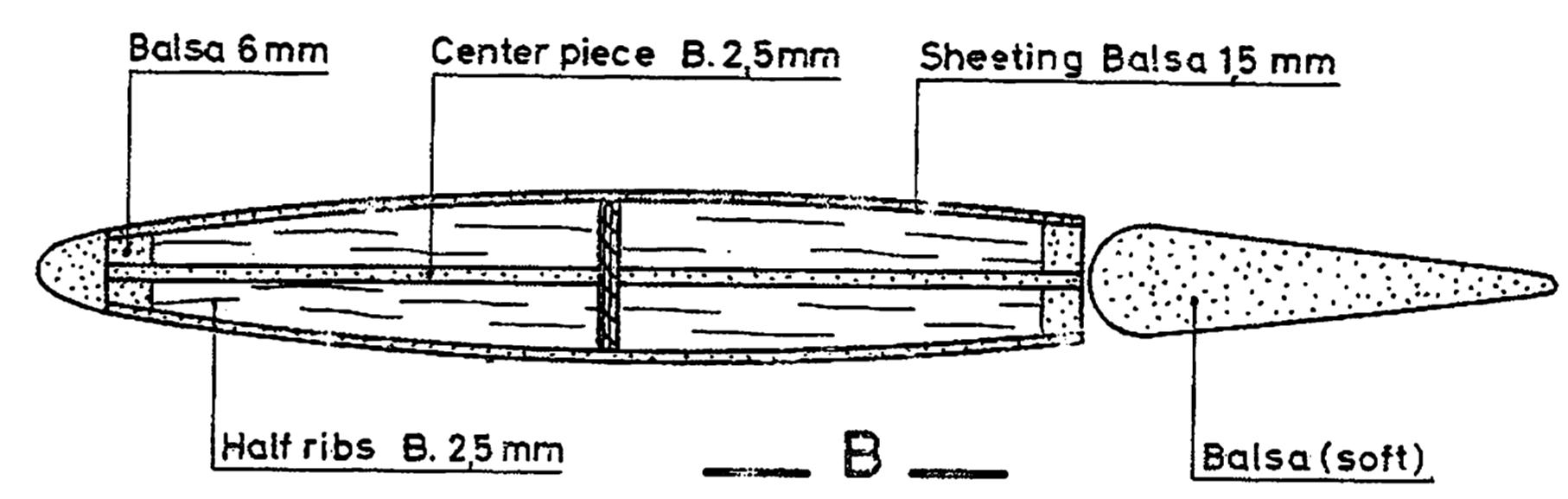
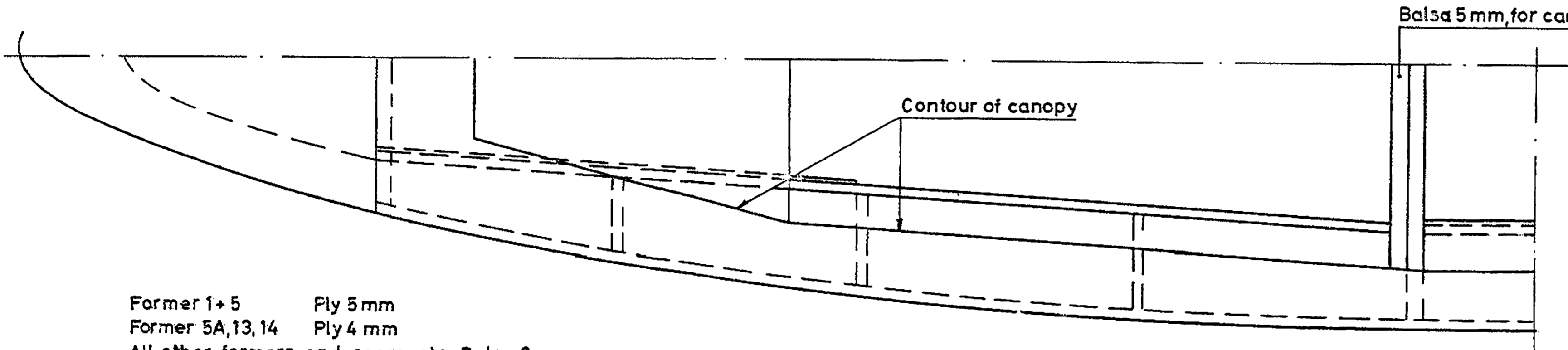
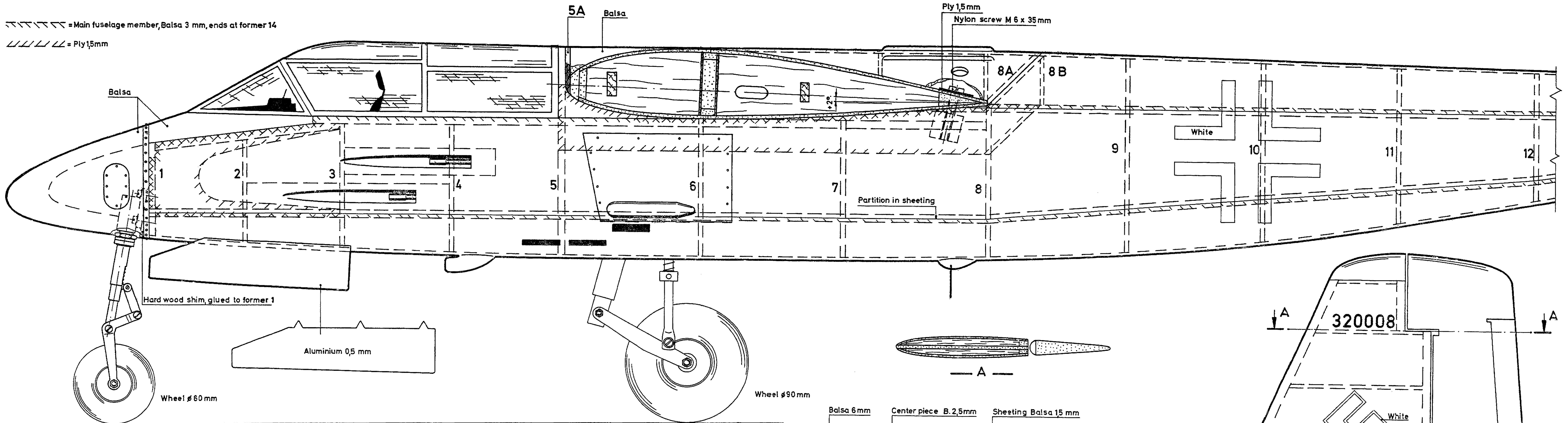
Designed by *Fr. Heier*
Inked by *Fr. Heier*
Translated by TELAVES



All dimensions in millimeters
1 mm = 0.039 inches

==== = Main fuselage member, Balsa 3 mm, ends at former 14

//// = Ply 1,5mm



Former 1+5 Ply 3 mm
 Former 5A,13,14 Ply 4 mm
 All other formers and segments: Balsa 3 mm
 Sheeting: Balsa 3 mm

