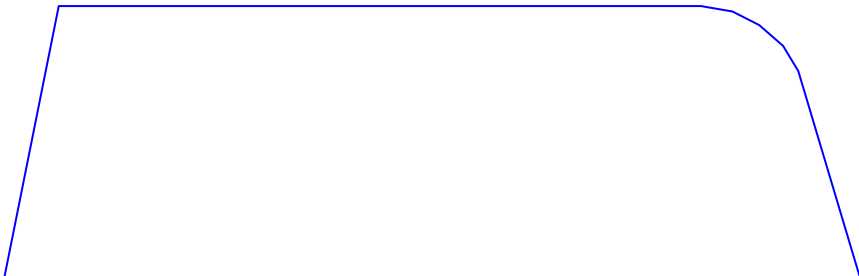
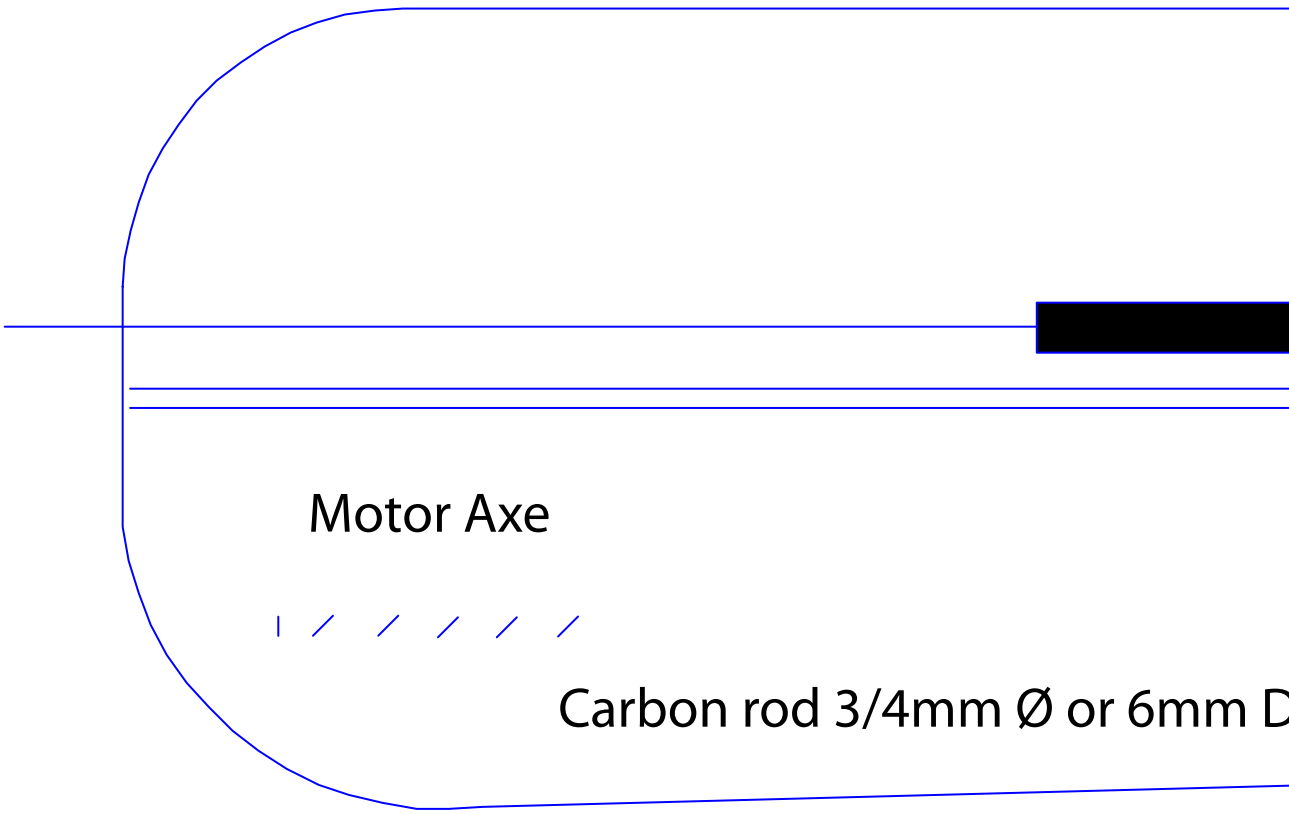
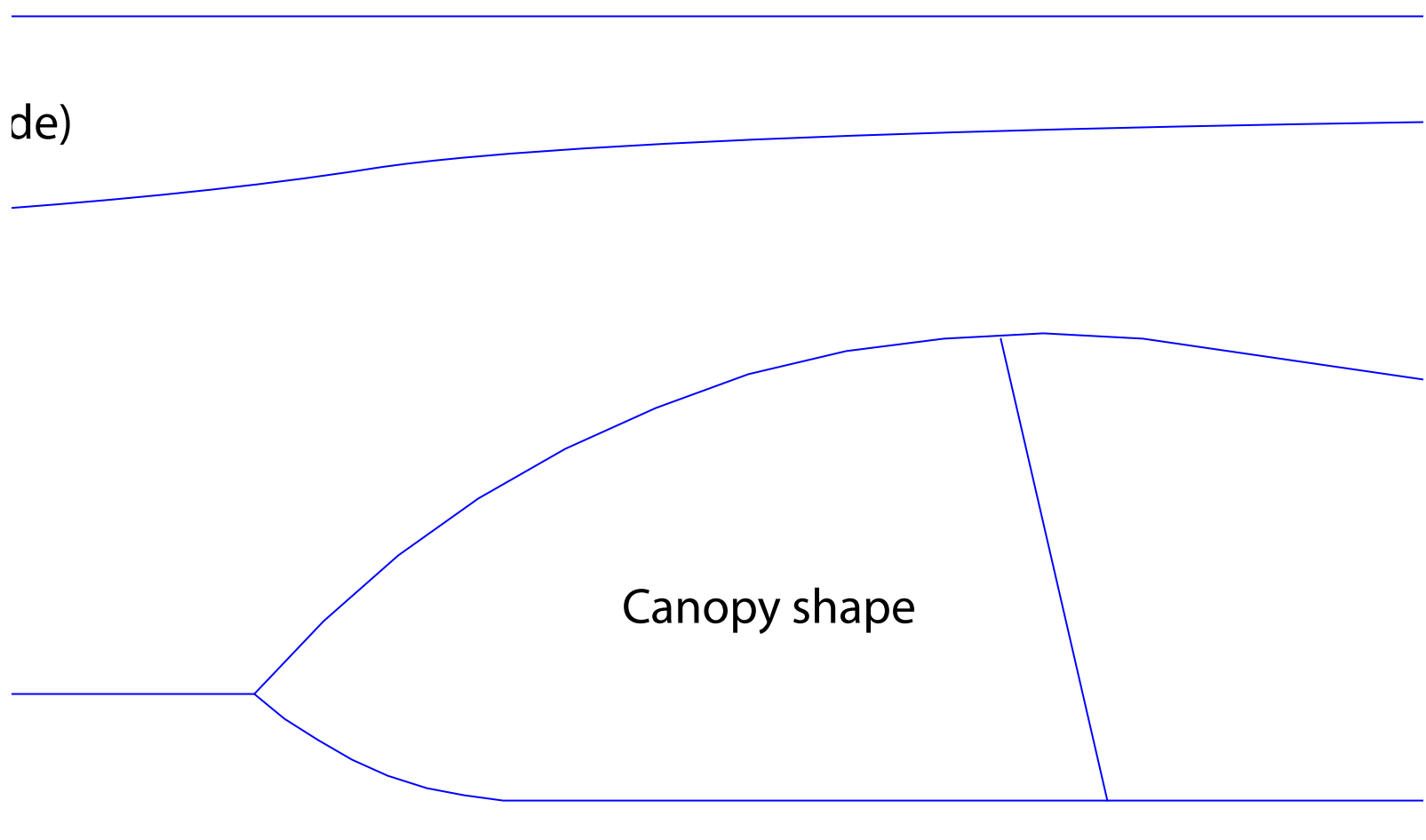


Fuselage reinforce - Cut 2x (one per side)



de)



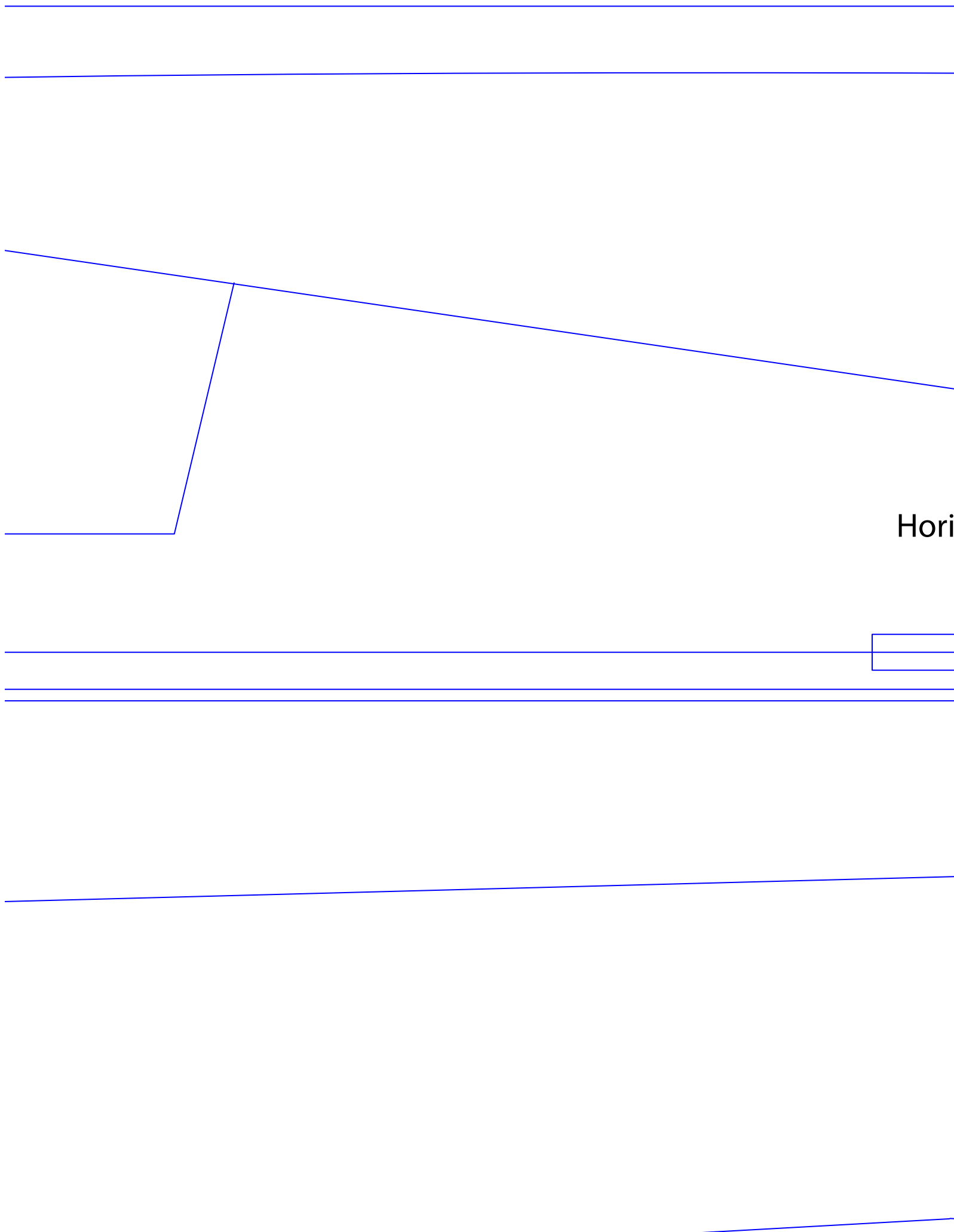
Canopy shape

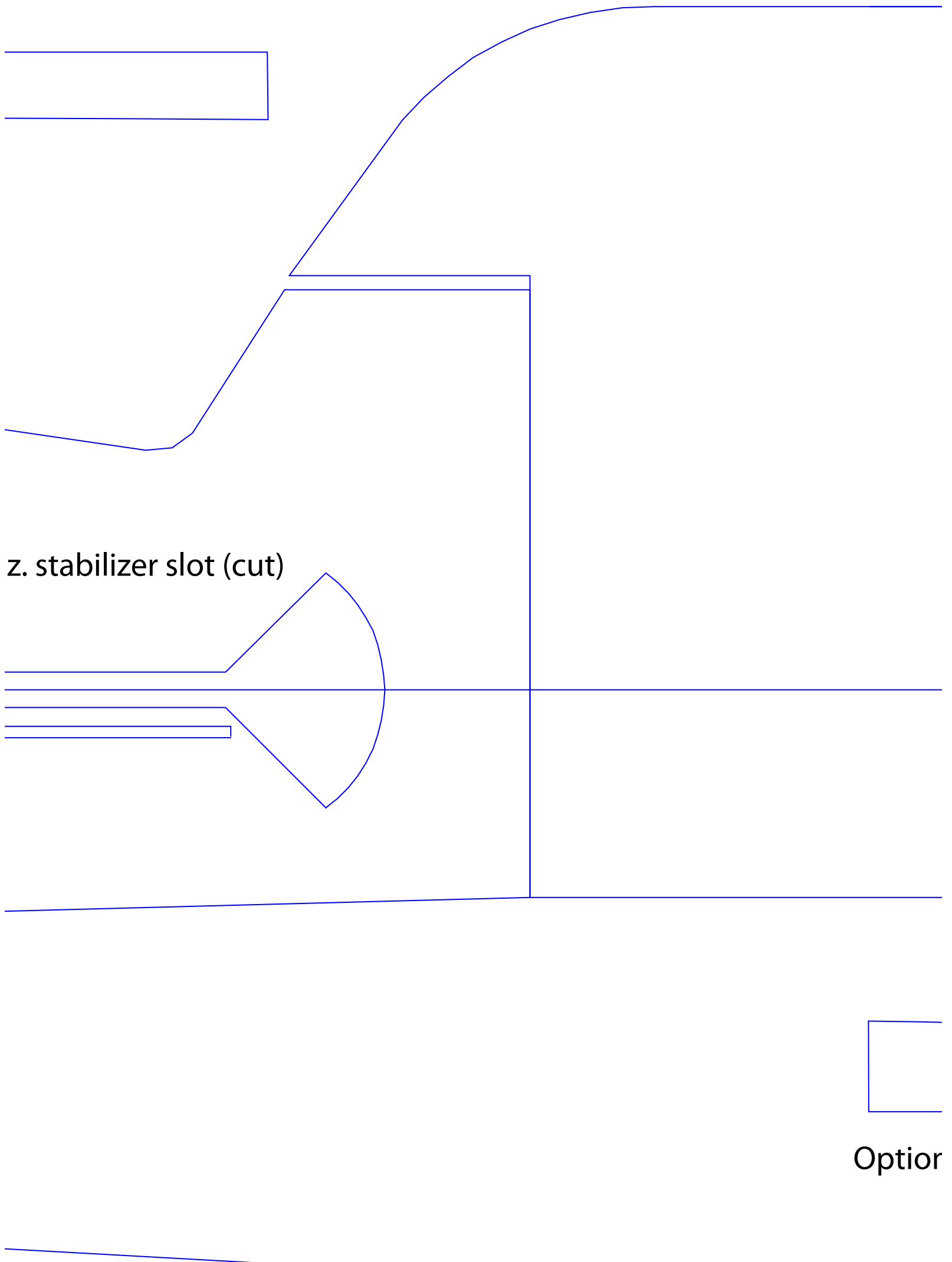
Main wing slot (cut for 6mm Depron)

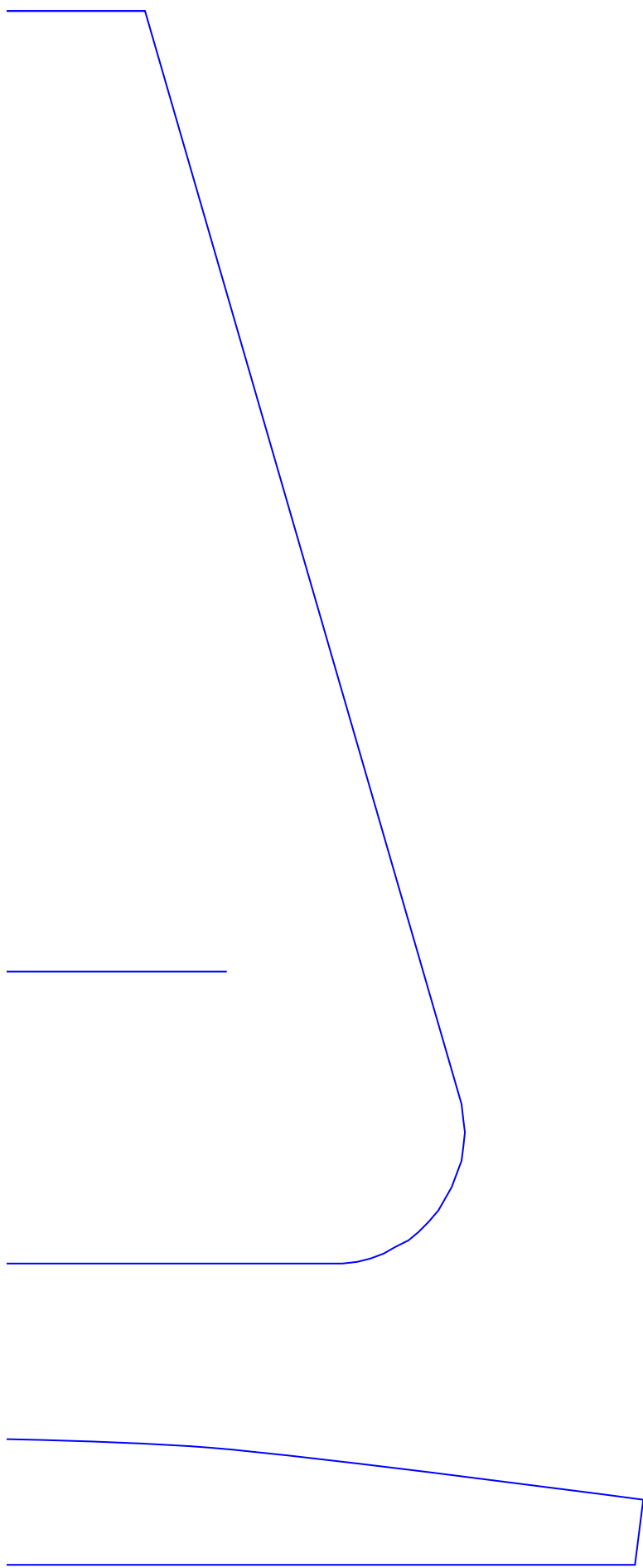


Depron fuselage reinforce (adjust)





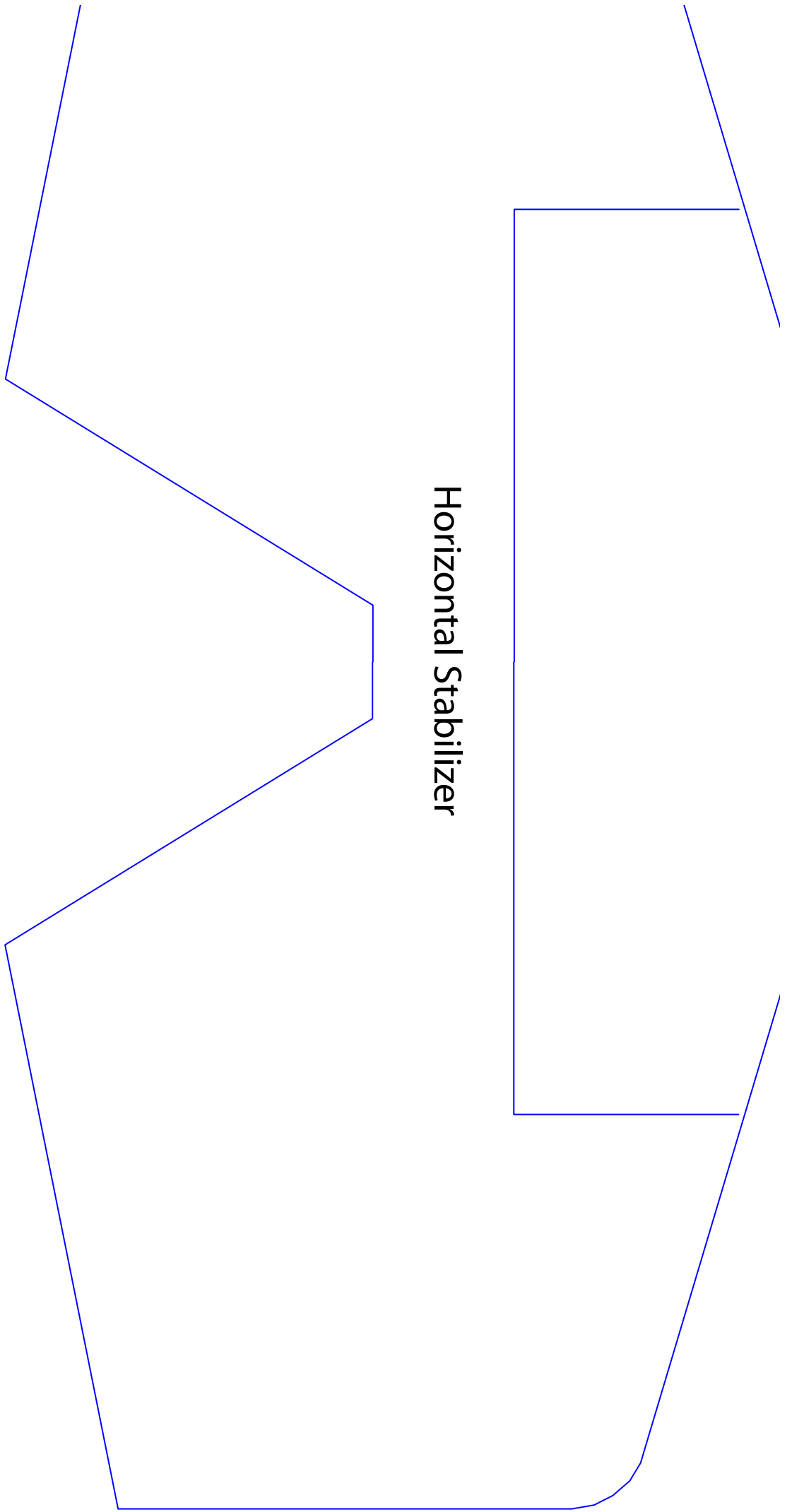


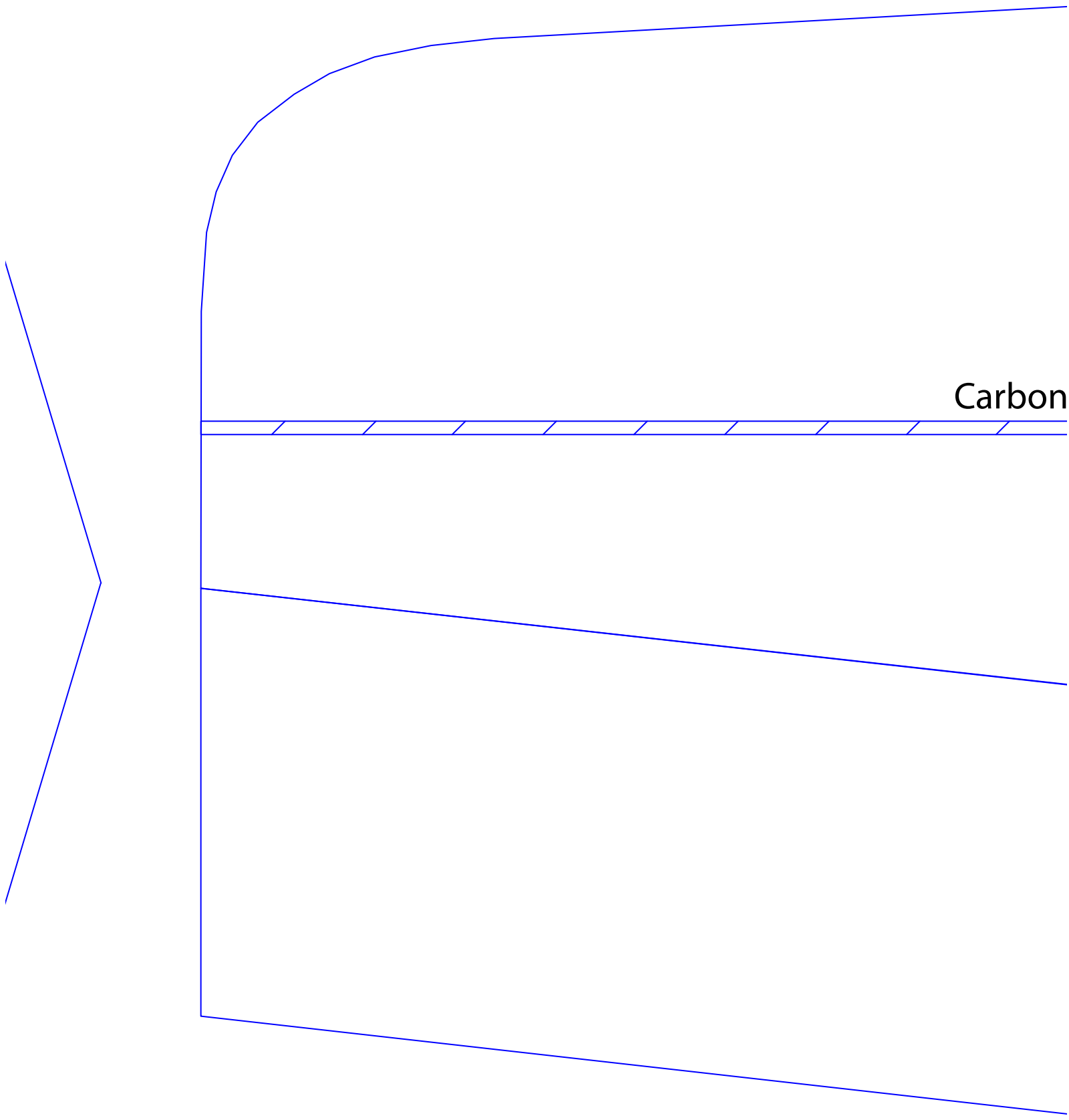


ral motor mount reinforce (Cut 4x)



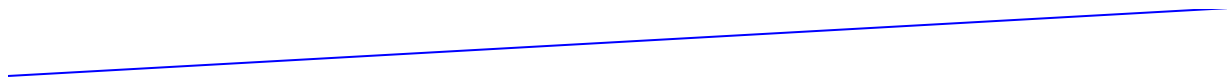
Horizontal Stabilizer





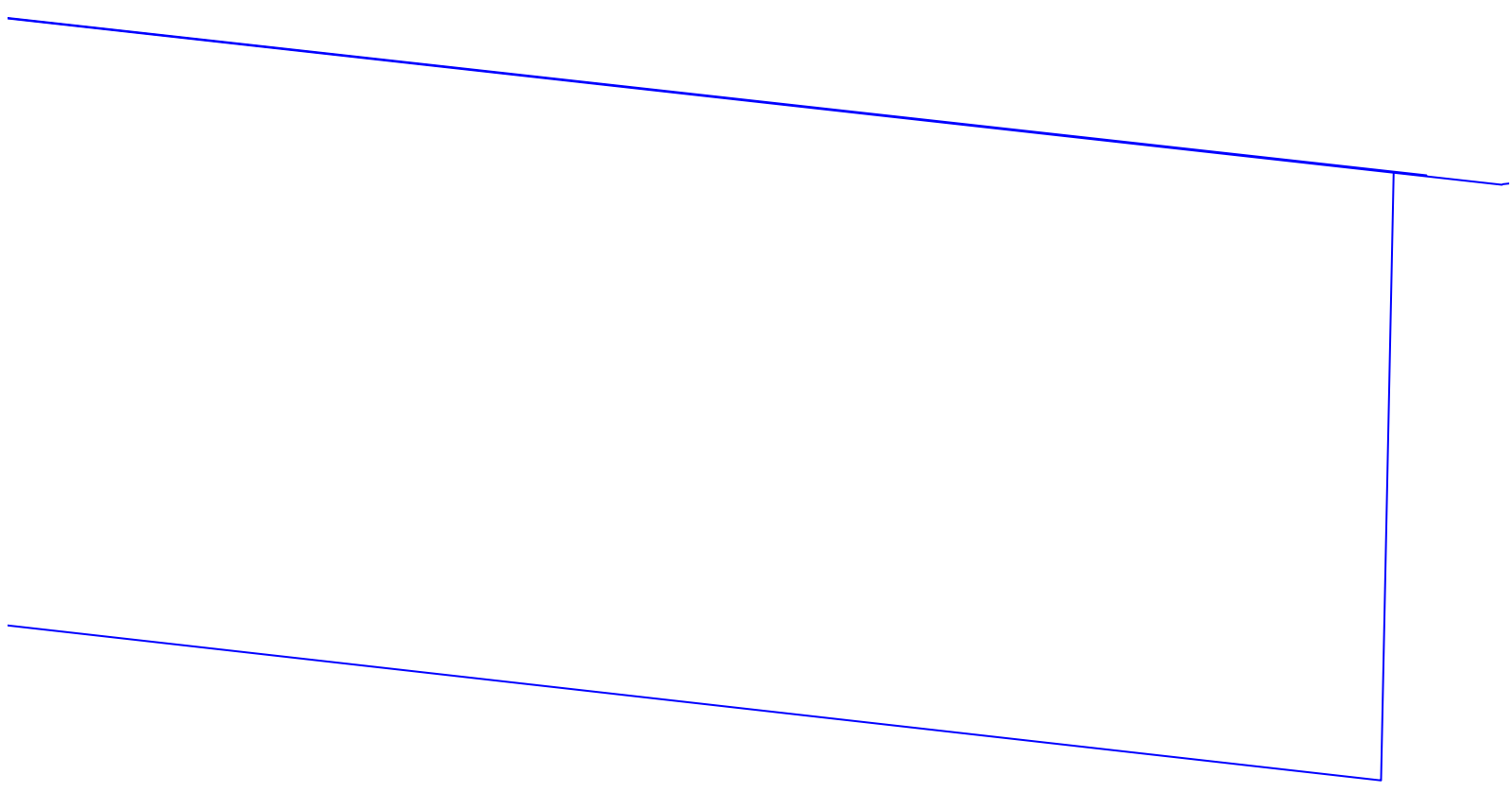
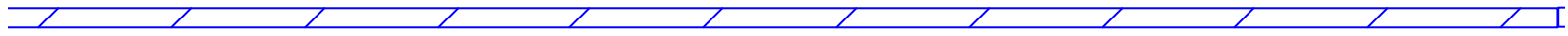
Carbon

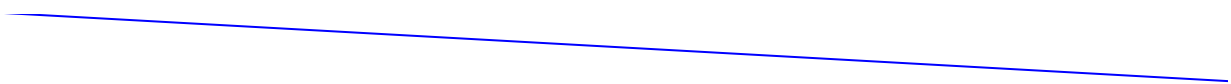




Main Wing - Cut 1x (one piece with

Rod 3/4mm Ø





th aileron - separate after paint)

