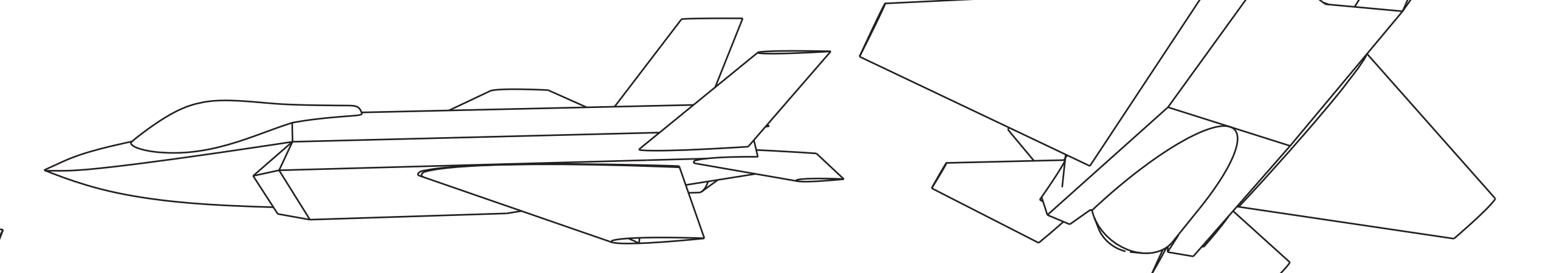
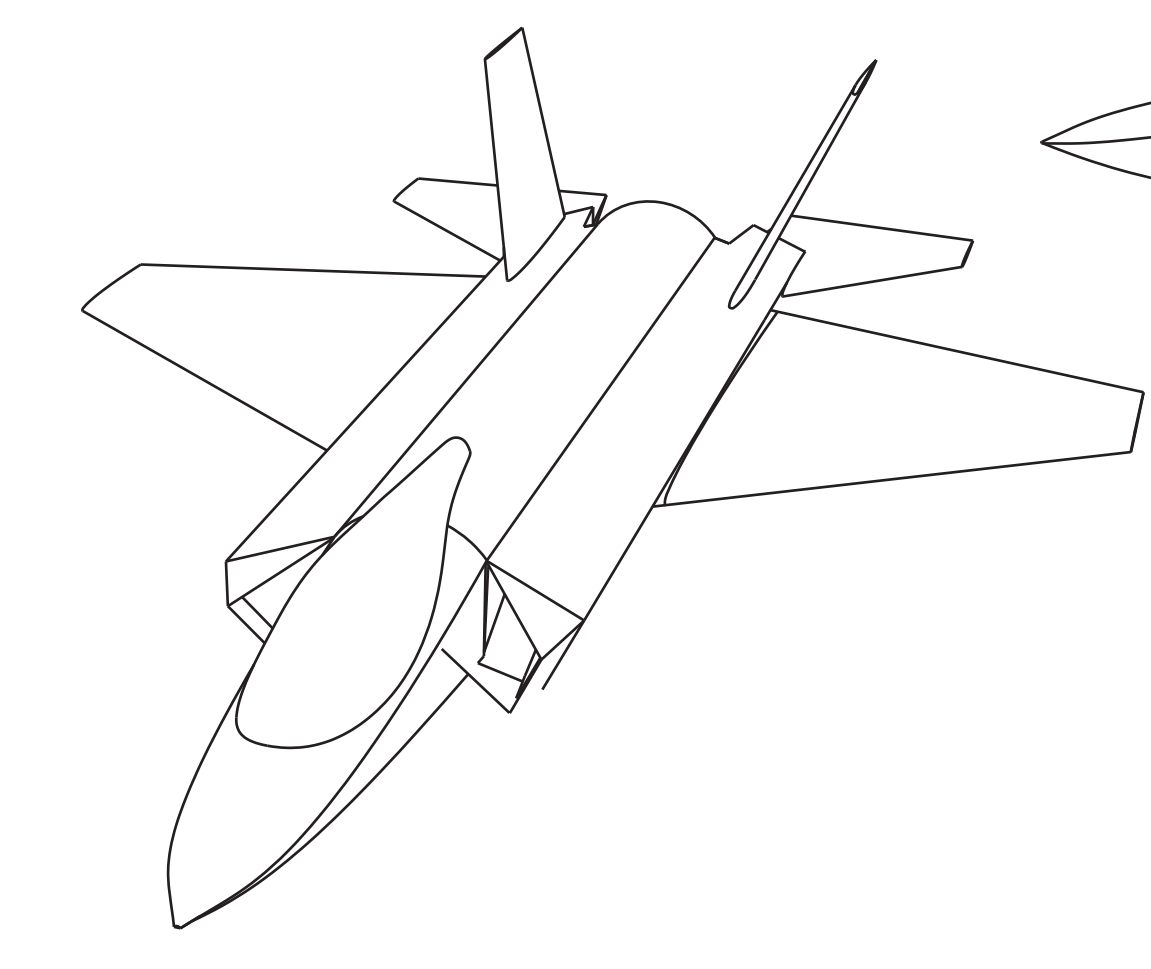
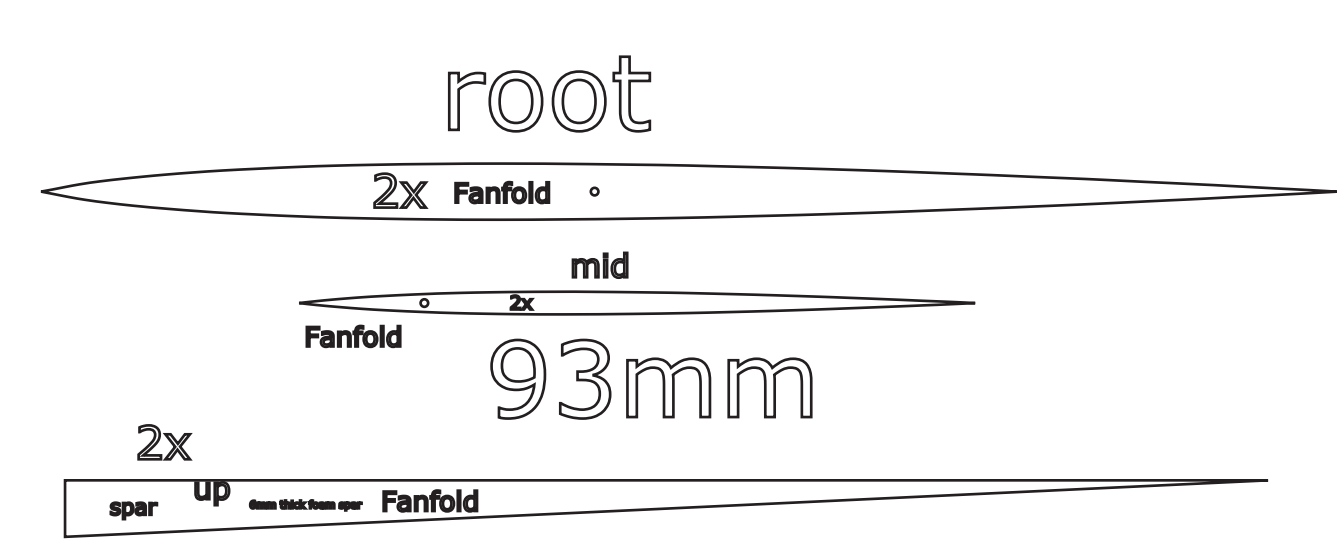
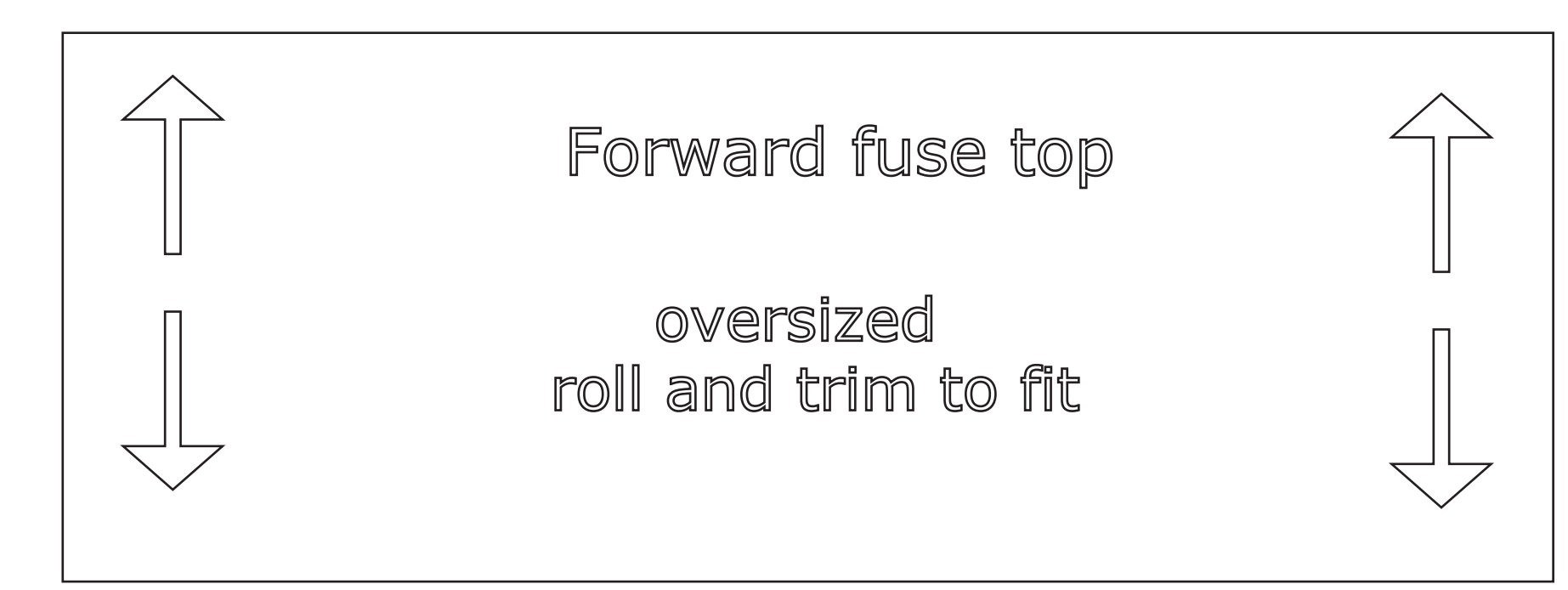
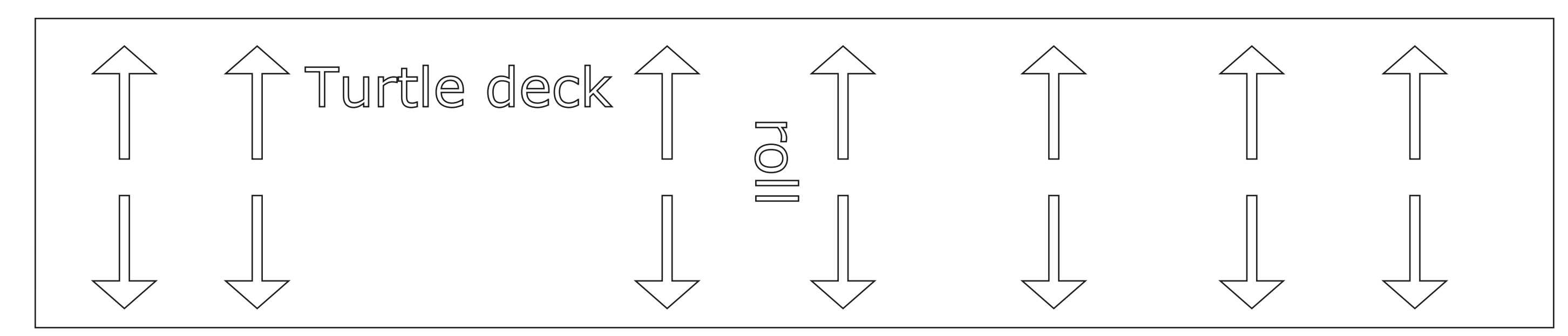
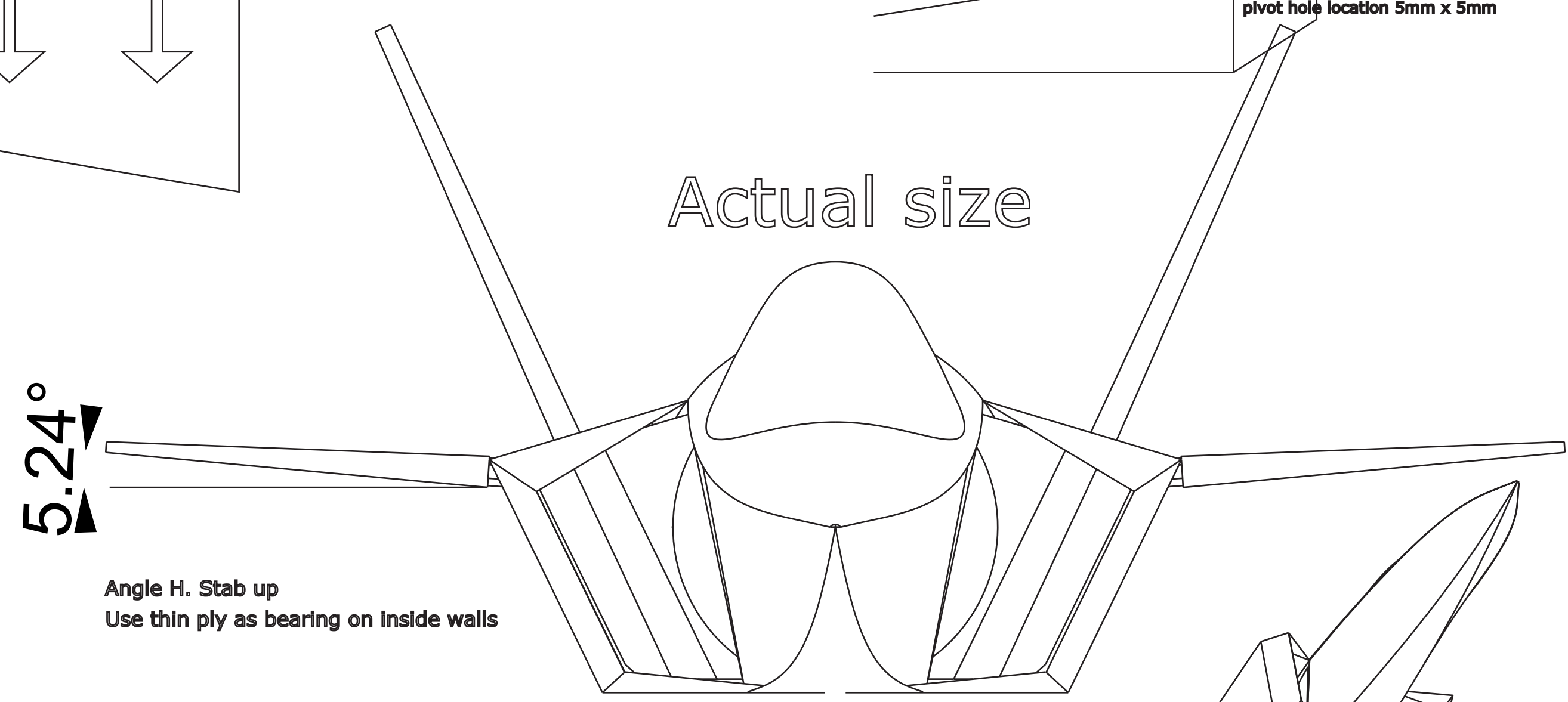
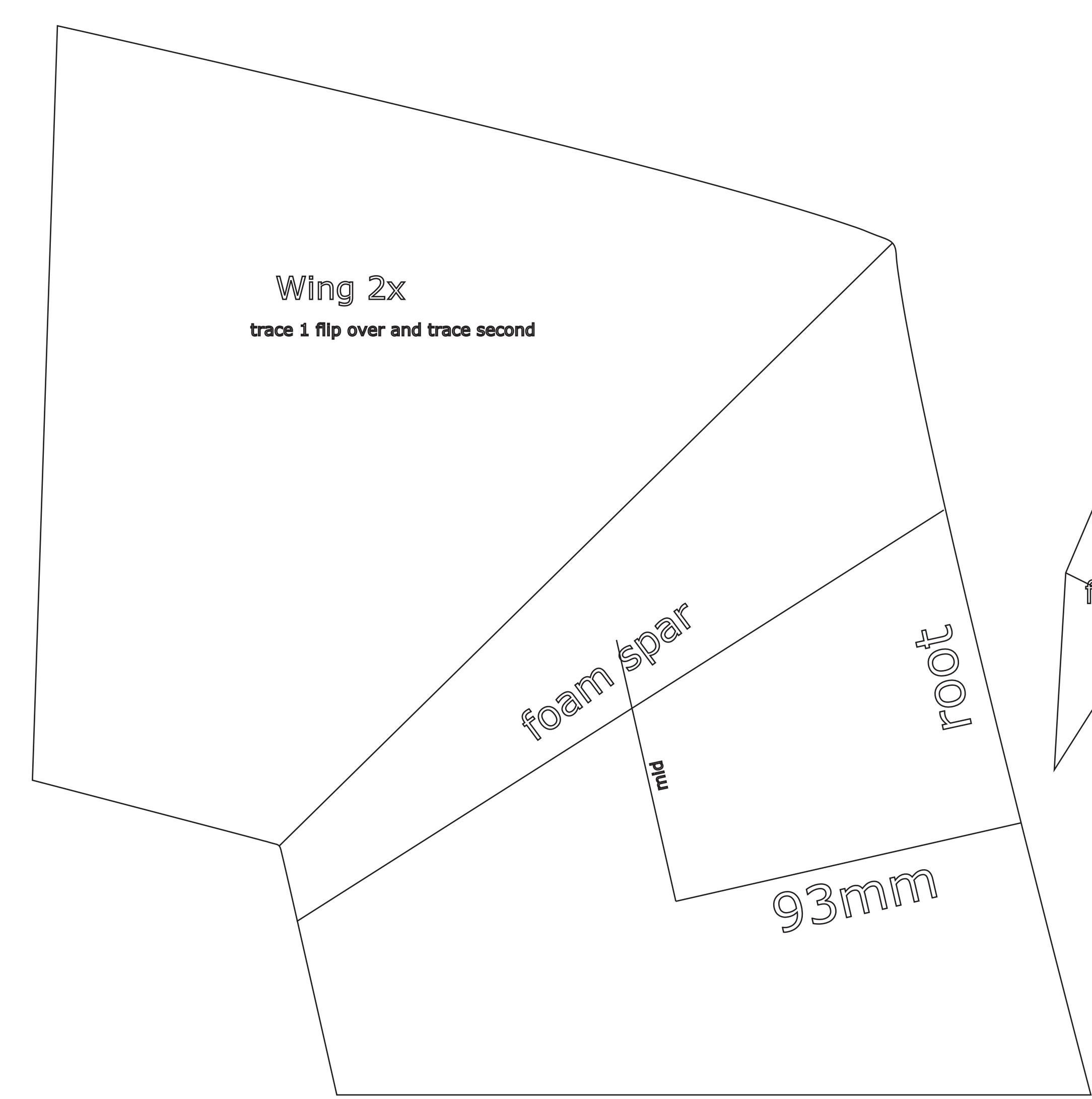
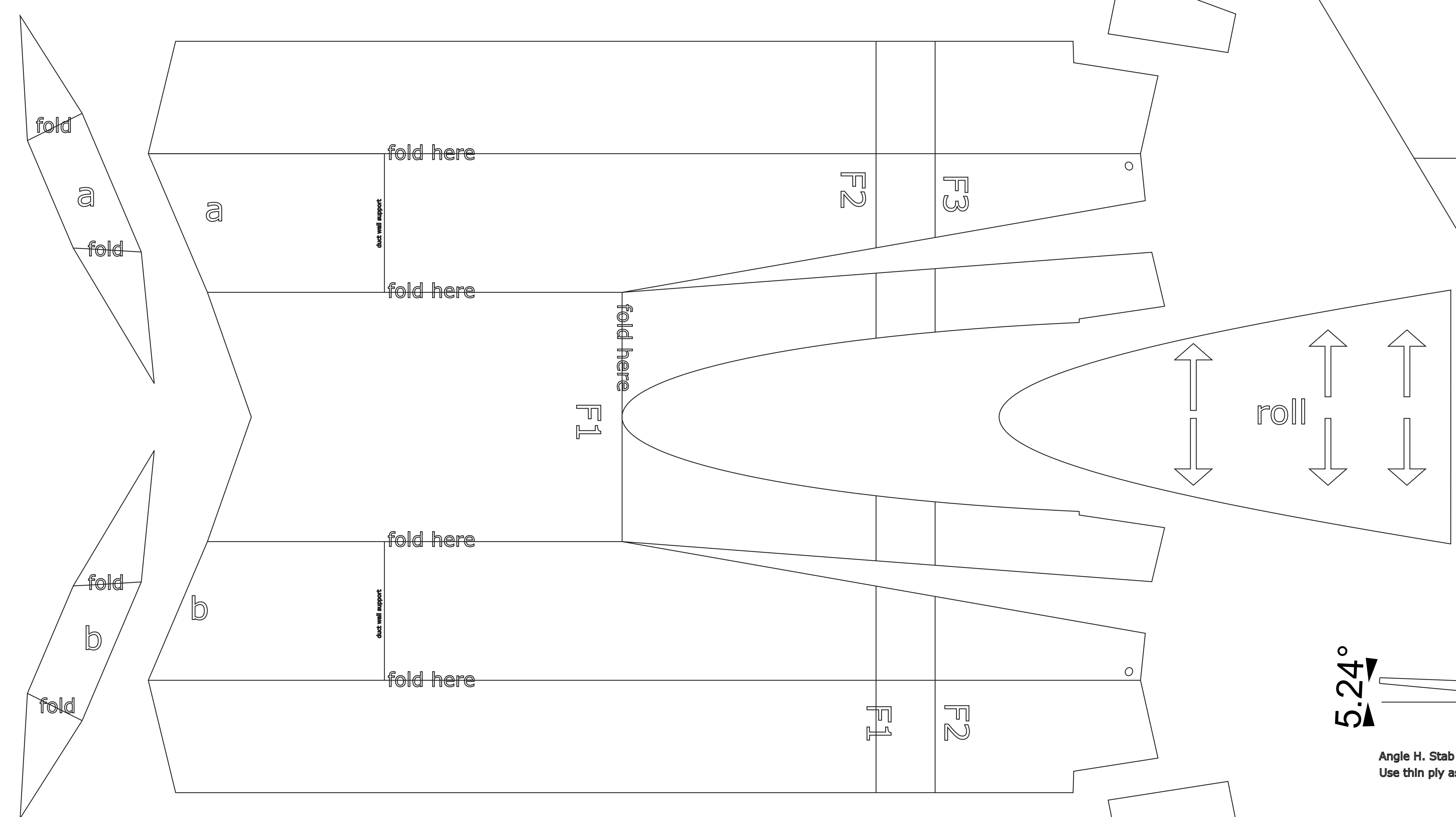
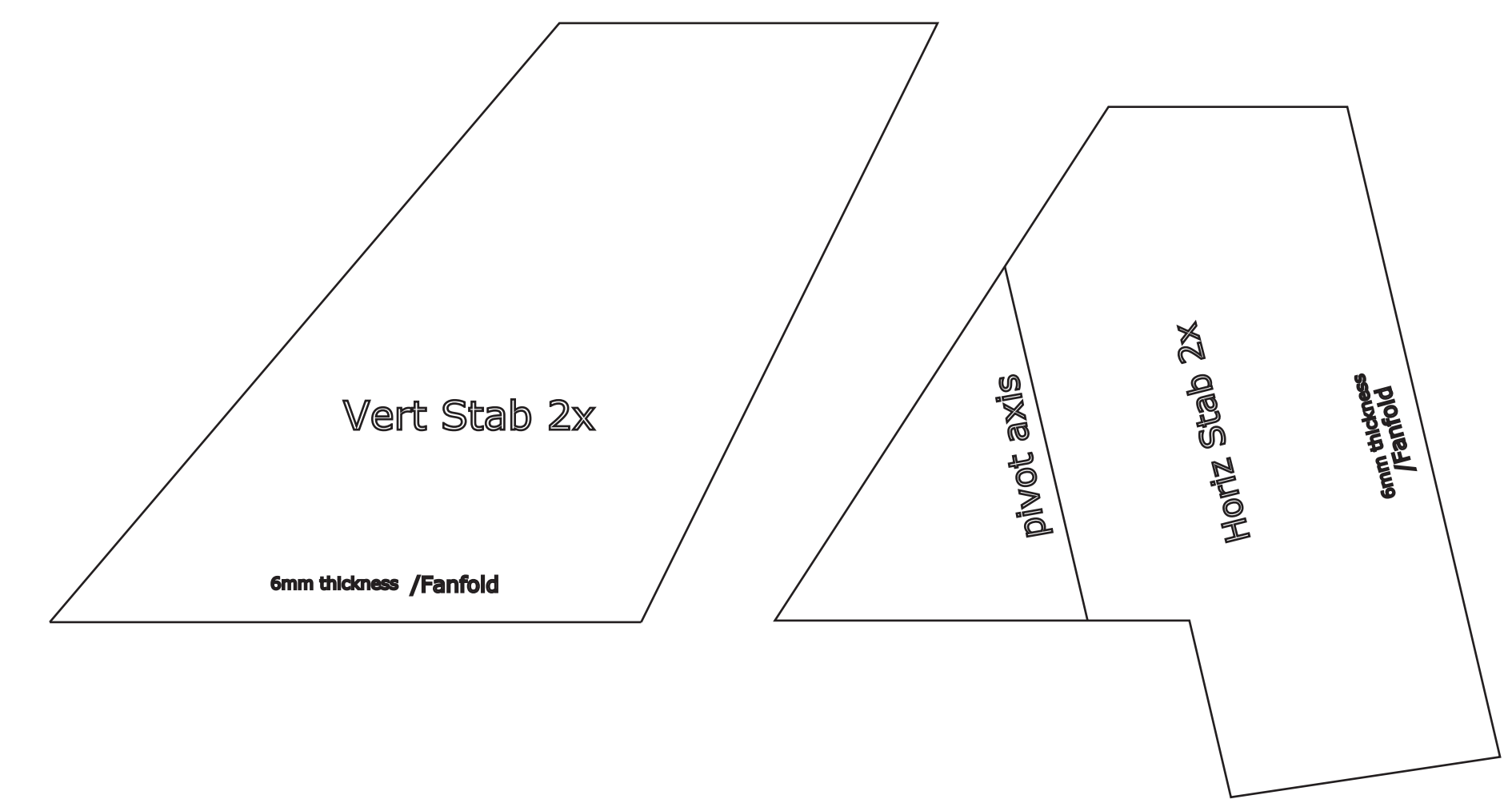
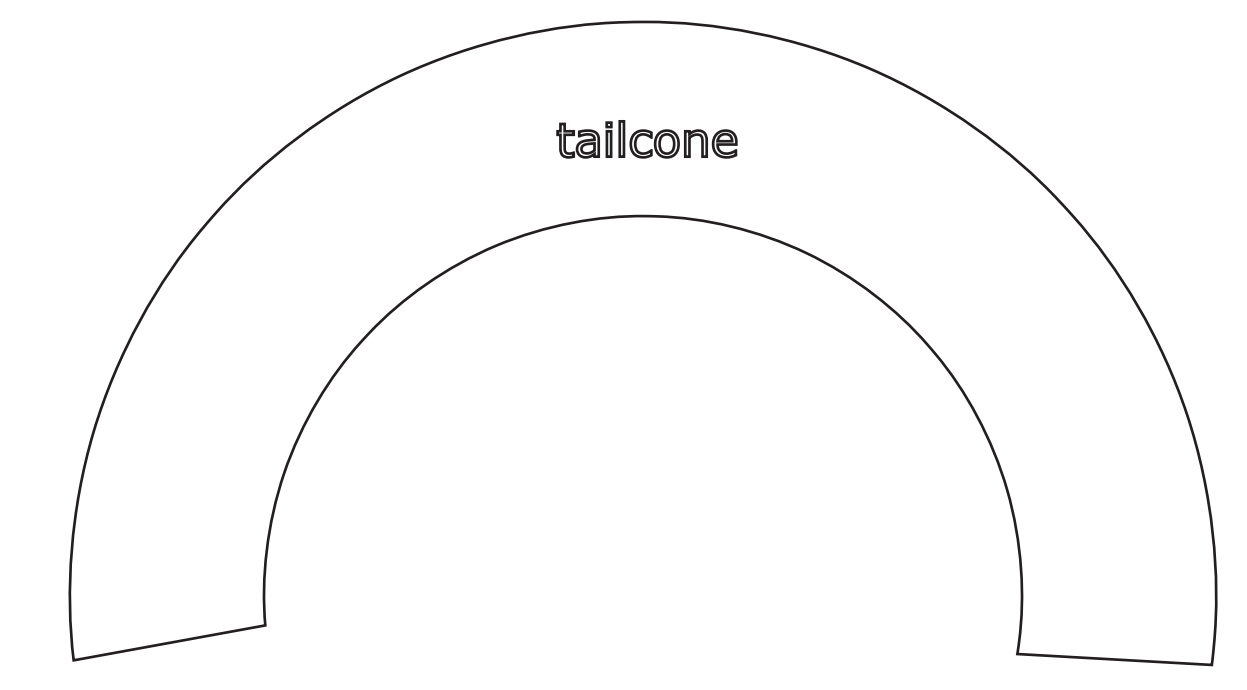
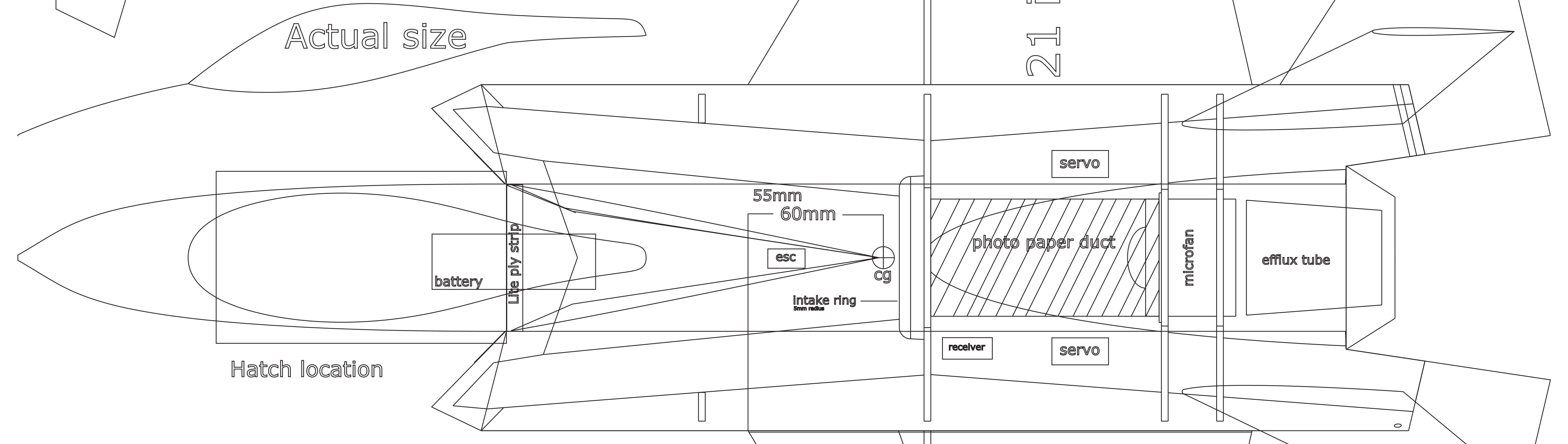


Taileron Setup
 Throws:
 Pitch +/- 1 inch
 Roll +/- 3/4 inch



MB Joint Strike Fighter
 EDF F35
 design by Al Sprosta 2004

scale 1 Inch

for 3mm Depron
 and 1/4"-3/8" Fanfold (where indicated)

print 48"w x 36"h E size