

FRONT SPAR

3/16" SQ. SPRUCE L.E.

1/8" X 1/4" SPRUCE

1/4" X 1/2" BALSA

ROOT RIB- 4 REQ'D-1/16" BALSA

3/16" BALSA TIP & TIP RIB

W1
1/16" SHEET BALSA (TOP & BOTTOM)

3/16" X 1/2" BALSA SPAR

W2
1/16" SHEET BALSA T.E. (TOP & BOTTOM)

PLASTIC PAPER HOOK SEE JAN. 1975 RCM

1/16" PLY

WING RIB- 26 REQ'D-1/16" BALSA 2 REQ'D-3/16" BALSA

3/16" WASHOUT AT EACH TIP
3" DIHEDRAL AT EACH TIP

3/16" X 1/4" BALSA

3/16" SHEET BALSA

3/16" SQ. BALSA

3/16" SHEET BALSA

3/16" HARDWOOD DOWEL

HORN LOCATION

3/16" SQ. BALSA SIDE BRACES

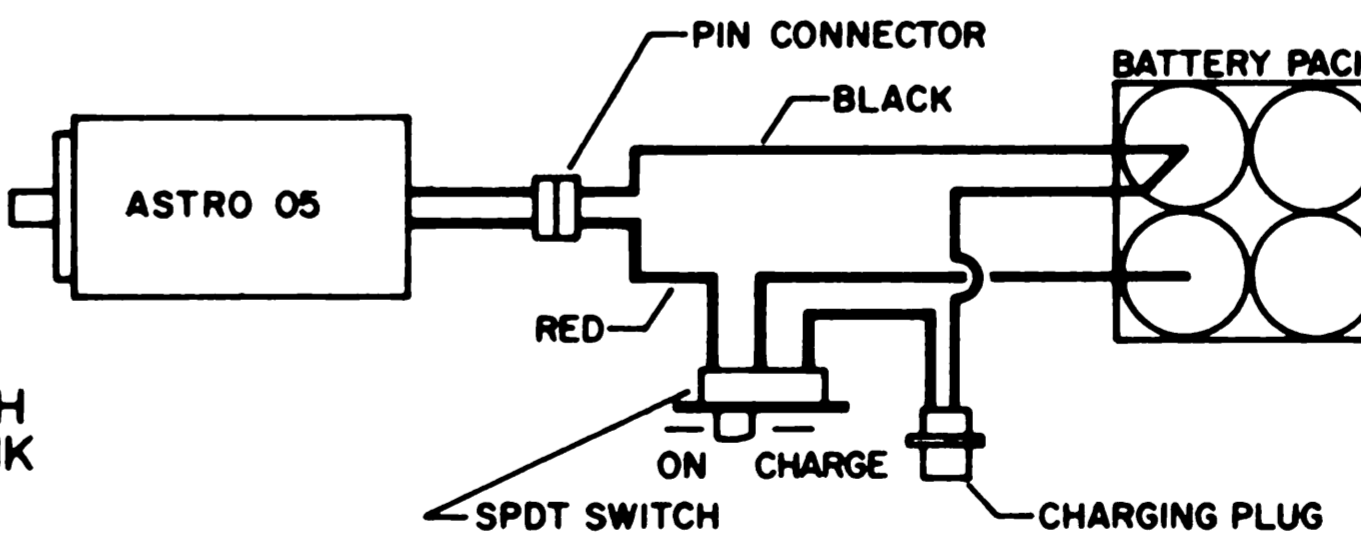
3/16" HARDWOOD DOWELS

ELEVATOR SERVO
RUDDER SERVO

MAKE MOTOR TUBE FROM 1/64" X 9-1/4" X 6-1/8" PLY ROLLED AROUND MOTOR

HEAT SHRINK TUBING USED AS CONNECTOR BETWEEN ON-OFF MOTOR SWITCH & SERVO

RS SYSTEMS RADIO SHOWN



3/16" BALSA FIN & RUDDER

HINGE LOCATION

USE COX 6-3 GRAY PROP

AIR INLET

1/8" BALSA COWLING

CHARGING PLUG

SPDT SW.

C.G.

RECEIVER SWITCH

MASTEROD CABLE PUSH RODS WITH SOLDER LINK AT SERVO END

1/8" BALSA TOP (CROSS GRAIN)

CHARGING PLUG

A

ASTRO 05

MOTOR TUBE

BI

RECEIVER

1/4" X 3/8" PLY SERVO RAILS

3/32" BALSA SIDES

G

3/16" SQ. BALSA

3/32" BALSA DOUBLER

GOLDBERG SMALL HORNS & MINI SNAP LINKS

BOTTOM IS 1/8" POPLAR PLY FORWARD OF E

1/2" DIA. HOLE (OUTLET FOR BATTERY COOLING)

WHEEL IS 1-1/2" WITH 1/4" PLY BRACKETS EACH SIDE USING 3/32" DIA. AXLE (OPTIONAL SKID CAN BE USED)

1/8" POPLAR PLY FORWARD FUSELAGE BOTTOM

1/2" COOLING HOLE

CUTOUT FOR WHEEL IF USED



© RCM ALL COMMERCIAL RIGHTS RESERVED

ELECTRAGLIDE 62

DESIGNED & DRAWN BY J. V. ZAREMSKI INKED BY DICK KIDD

