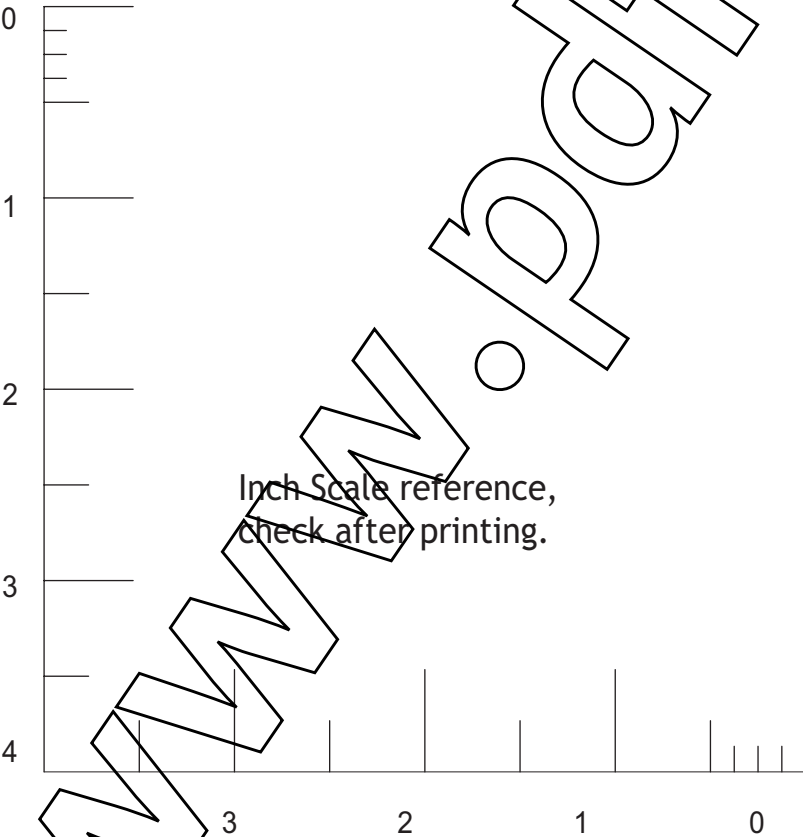


Glue to bottom of the
x-brace behind the
trailing edge of wing.



Inch Scale reference,
check after printing.

EXTRA 330

- Wing Span.....
- Length.....
- Weight.....
- Power.....
- Prop.....
- Ch.....
- Battery.....

® Copyright 2005

www.pdflib.com

3mm Depron

6mm Depron reinforcer.
Glue to bottom of the
x-brace behind the

www.pdfjib.com

www.pdflib.com



A 330-3 D PARK FLYER SPECS

an..... 36"
.....34.5"
.....12-13oz
.....AXI 2212/34
..... GWS 12x4
..... 4
..... 3 Cell-700 to 1350mAh Li-Poly

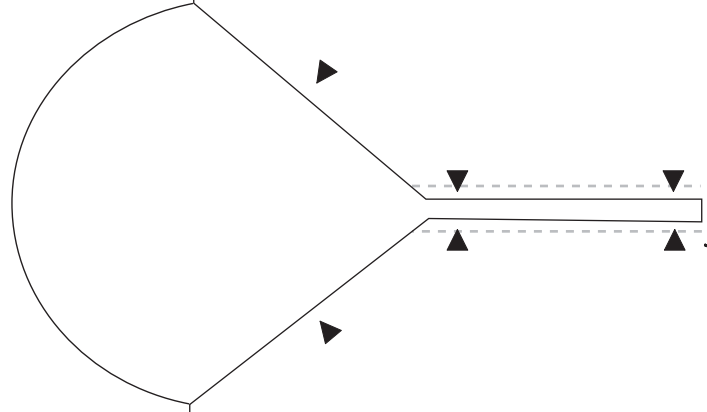
FLIGHT SYSTEM RECOMMENDATIONS

Rx and Servos
* GWS R-4PH 4ch receiver or equivalent
* 4 Waypoint W-084 Micro Servos
or Hitec HS 55
Brushless Motor
* AXI 2212/34 outrunner (Max 3D performance)
Speed Controller
* Phoenix 25amp speed controller
Battery
* 3 Cell 700-1350mAh-11.1v Li-Poly
Prop(s)
* GWS 12x6 Slow Flyer
* APC 12x3.8 electric slow flyer

3D
Batix.com

www.pdflib.com

3
patix.com



D
ser
line



Landing Gear

www.pdflib.com

www.pdflib.com

Wing cut from on



Carbon Fiber Tube .1
bottom of the wing o

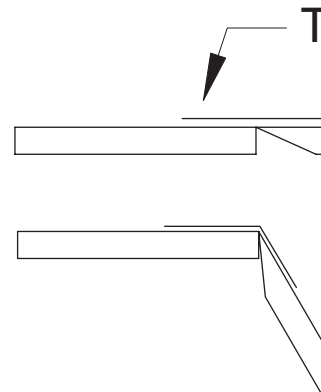
CTIONS

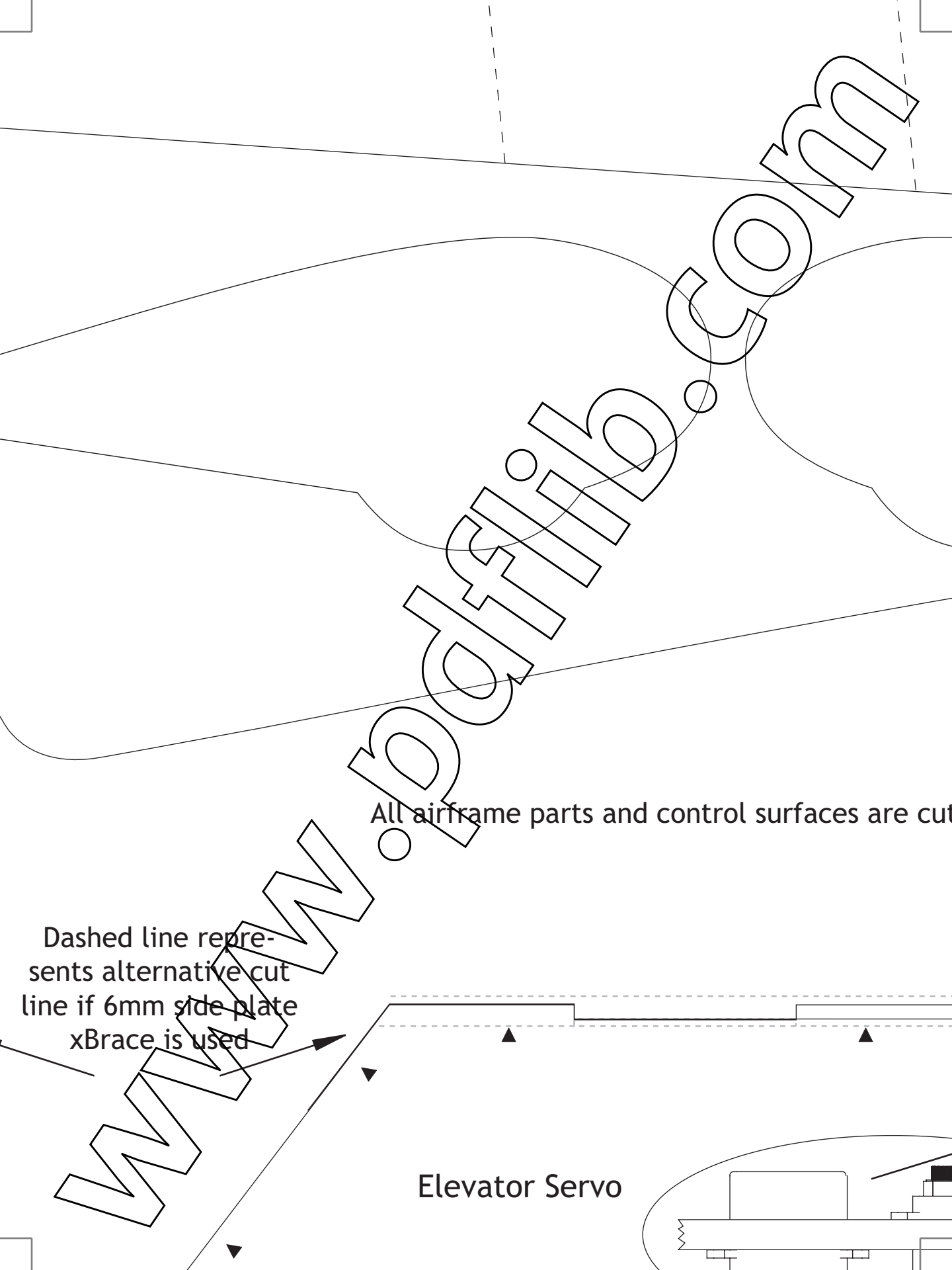
MATERIALS LIST

HINGE DETAILS

- * Depron 6mm/3mm White (www.depronusa.com)
- * Carbon Fiber Tube .157(3.9mm) x 30" (wing tube)
- * .040 Solid Carbon Rod (push rods + stab support)
or...optional 3mm flat carbon rod tab support
- * .080 Solid Carbon Rod (landing gear support)
- * Medium or Thick foam friendly CA
- * Foam friendly CA accelerator
- * JZ Products Super RC "Z" 56 glue
- * 1" Self-sticking Hook & Loop
(Velcro-Industrial Strength) tape
- * Clear packing tape
- * 4-E-flite Micro Control Horns No. EFLA200
OR...4 Du-Bro Micro Control Horns No. 848
- * 4 Du-Bro Micro E/Z Links No. 849
- * .032 wire control arms
- * Du-Bro RC Electric Flyer Hinge Tape (3M Blenderm)
- * Zagi tape for trim scheme (optional)
- * Straight edge razor blades
- * No. 11 Xacto knife
- * Metal yardstick
- * 3M Photomount Spray Adhesive
(for plan transfer to Depron)

Best results are achieved with
wide Du-Bro RC Electric Flyer
Tape (3M Blenderm) for all
Clean all parts with rubbing alcohol
before applying.

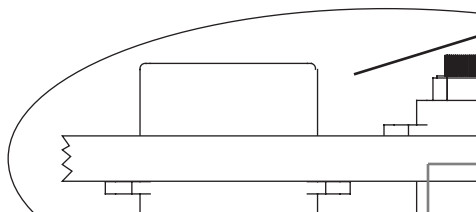




All airframe parts and control surfaces are cut

Dashed line represents alternative cut line if 6mm side plate xBrace is used

Elevator Servo



litaba

www.pdflib.com

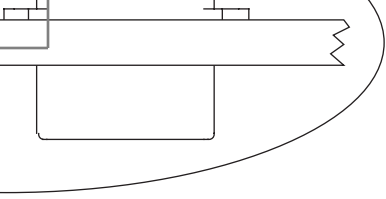


www.pdflib.com

Extra

one piece of 6mm Depron foam

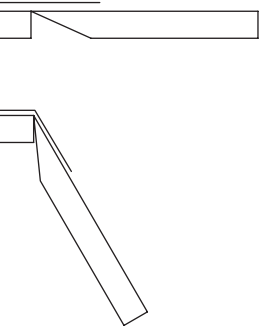
ube .157(3.9mm). Cut a channel (per plan) on the
wing only and CA or RC-56 in place.



DETAIL

achieved by using 1" Electric Flyer Hinge) for all hinges. Rubbing alcohol

Tape



PUSHROD DETAIL

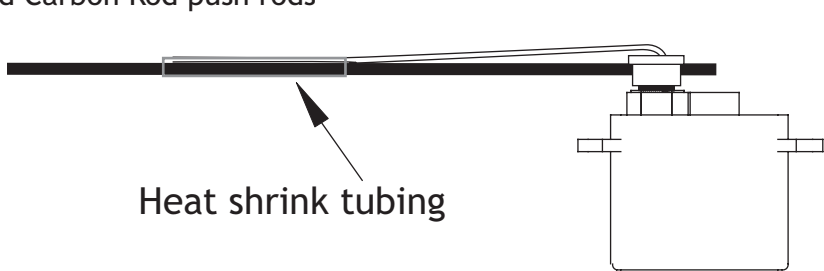
Use on control servo arms. CA 3" of wire to 2mm carbon fiber rod, secure with 1" of heat shrinking tubing. Carbon rod fits opposite side of control arms, wire connects and holds rod in place



.032 wire control rods



.040 Solid Carbon Rod push rods

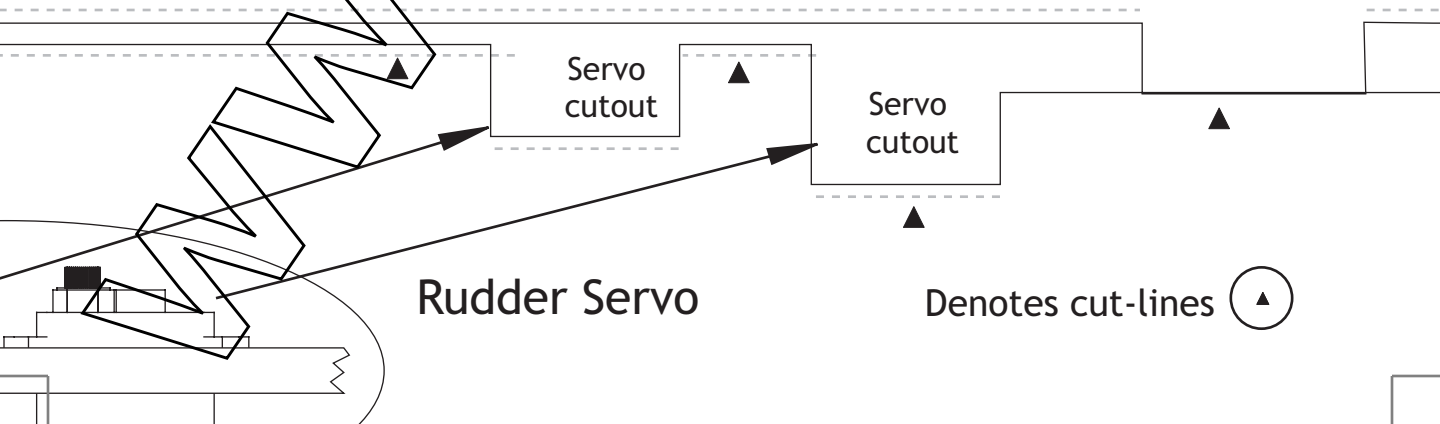


Heat shrink tubing

www.pdflib.com

All parts are

are cut from Deporn Foam



Servo cutout

Servo cutout

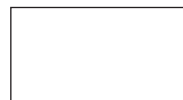
Rudder Servo

Denotes cut-lines



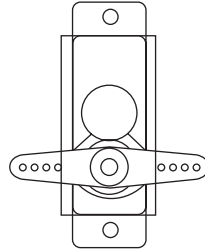
www.pdflib.com

Cut side plate (x
from 3mm Dep



6mm Depron
optional

tra 330-3D Park Flyer

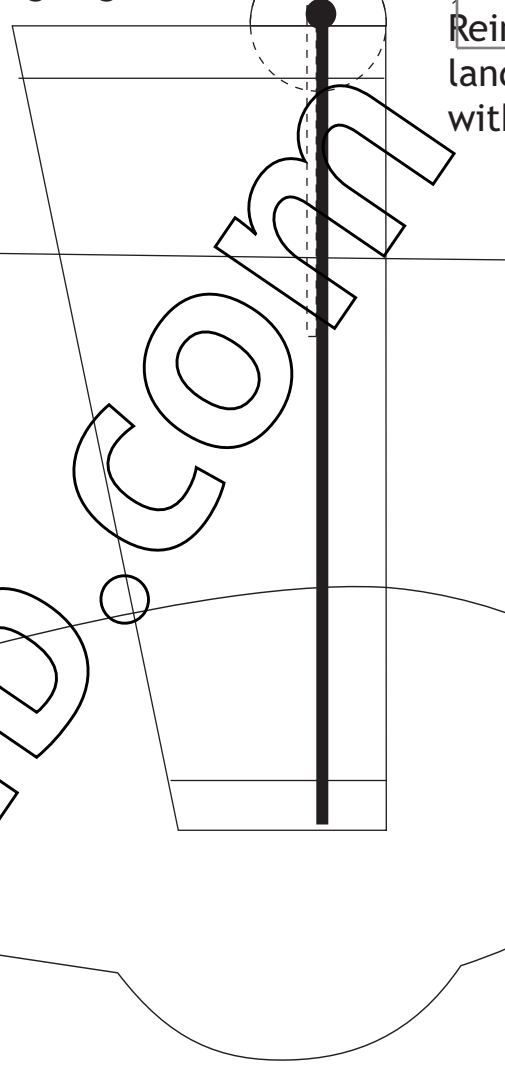
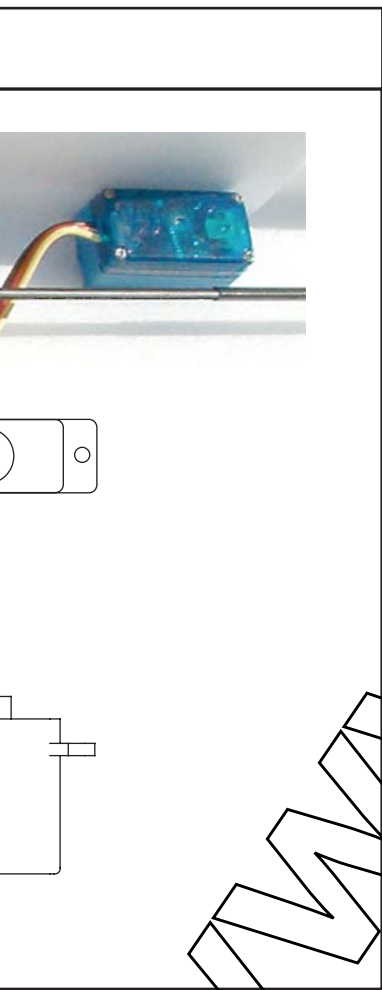


www.pdfFiller.com

Li-Poly Battery

root

Rein
lan
wit



www.pdflib.com

Parts are cut from 6mm Depron unless stated otherwise

Aileron Servo

3 Cell
700-1350 mAh
Li-Poly Battery

Initial CG 2 - 2.5"
from leading edge
root

Rein
lan

Aileron control horns



ce (xBrace)
n Depron

pron
al

www.pdflib.com

www.pdflib.com

Aileron control horns

Reinforce carbon rod landing gear crossing with 1/32 ply

1/8" light plywood reinforced with Depron on all 4 sides

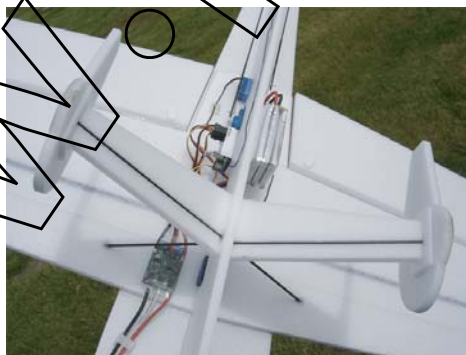
BUILDING & FINISHING DETAILS



Lightly coat back of plan parts with Spray Adhesive, apply each part to Depron. Carefully cut each part out using a straightedge and #11 Xacto.



A Rotary Tool Cutting Adapter is perfect for clean easy to make grooves for Fiber Carbon rod stiffeners.



Nonfunctional landing gear setup. Adds to the overall flight characteristics.



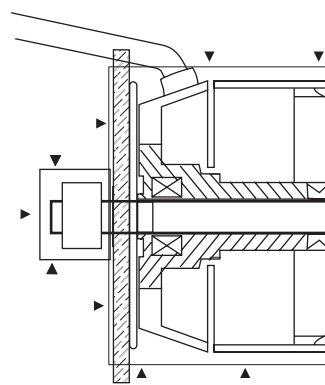
Not speed control and Rx locations. Battery is on the opposite side.

support/str
with order-
Products Su

NOTE: landing gear shown is not functional
but is recommended for improved flight
performance

AXI Brushless

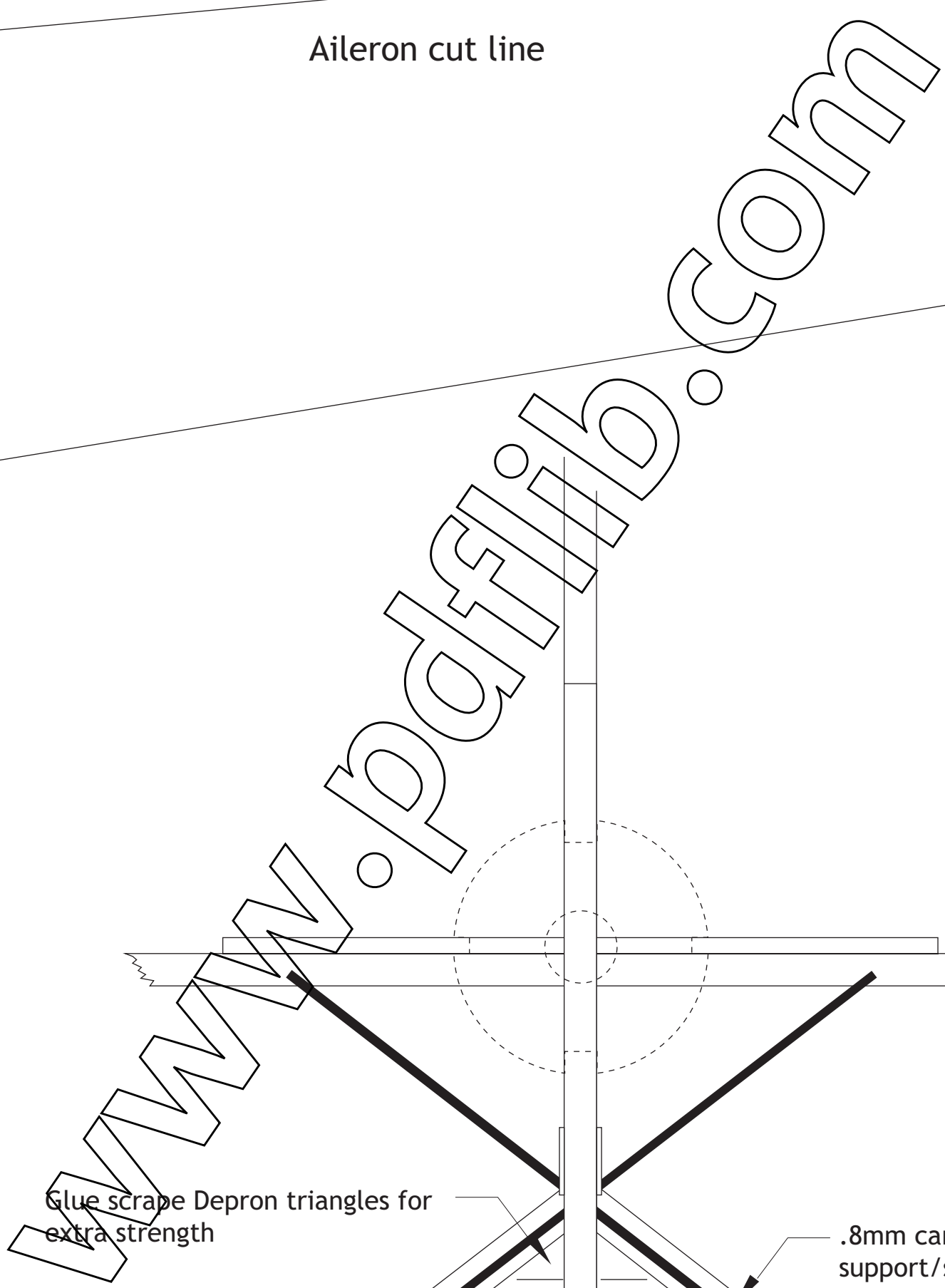
AXI 2212/34 Extern



Reinforce carbon rod
landing gear crossing

1/8" light plywood ra
reinforced with Depre

Aileron cut line

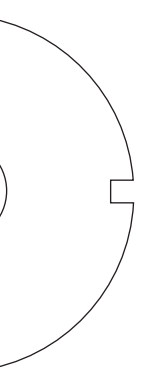


Glue scrape Depron triangles for extra strength

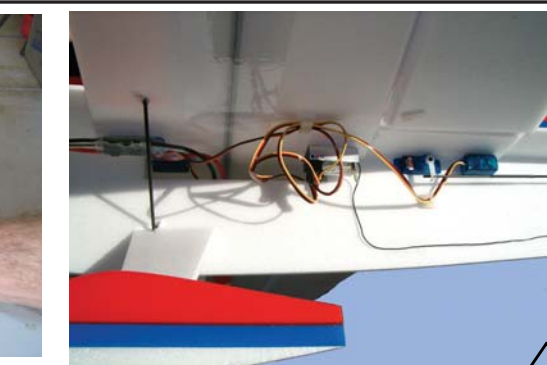
.8mm carbon support/stiffener with order-Products S

www.pdflib.com

wood radial mount,
on Depron triangle stock



DETAILS



easy Speed control, Rx and rudder/elevator servos.
Note landing gear set-up

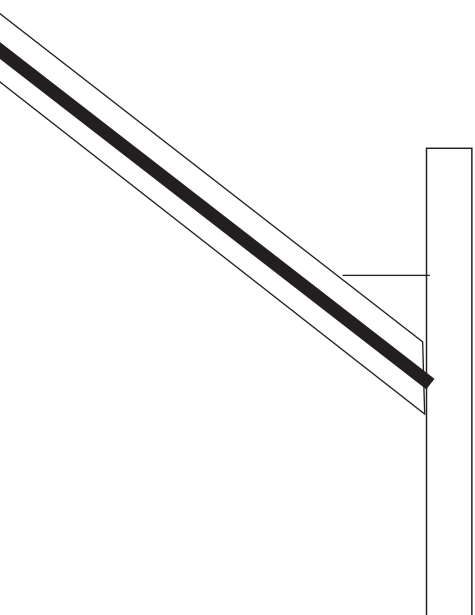


on the Colored Zagi tape works great for trim. It's best to trim
each part before assembly.

www.pdflib.com

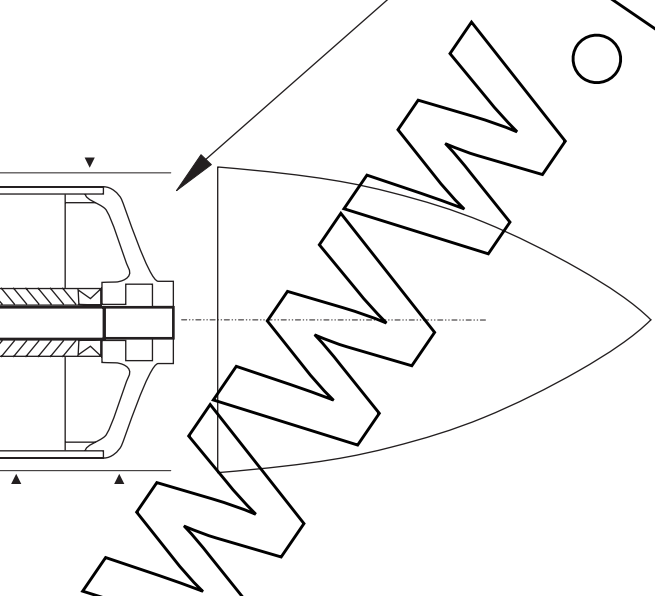
www.pdflib.com

rt/stiffener. Groove foam and glue
order-free (foam friendly) CA or JZ
cts Super RC Z 56



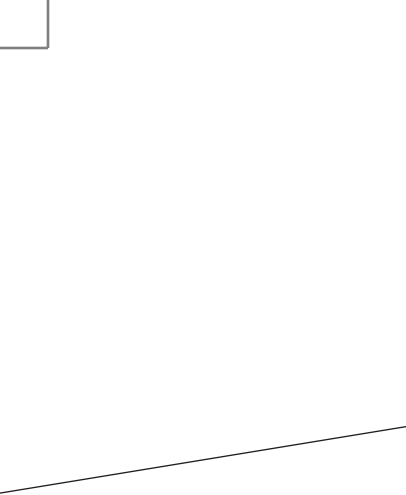
Brushless Motor Shown

External Rotor Brushless



wood radial mount,
on Depron triangle stock

www.pdflib.com



Wing

carbon rod landing gear
part/stiffener. Groove foam and glue
order-free (foam friendly) CA or JZ
etc Super PC 7.56

www.pdflib.com

www.pdflib.com

