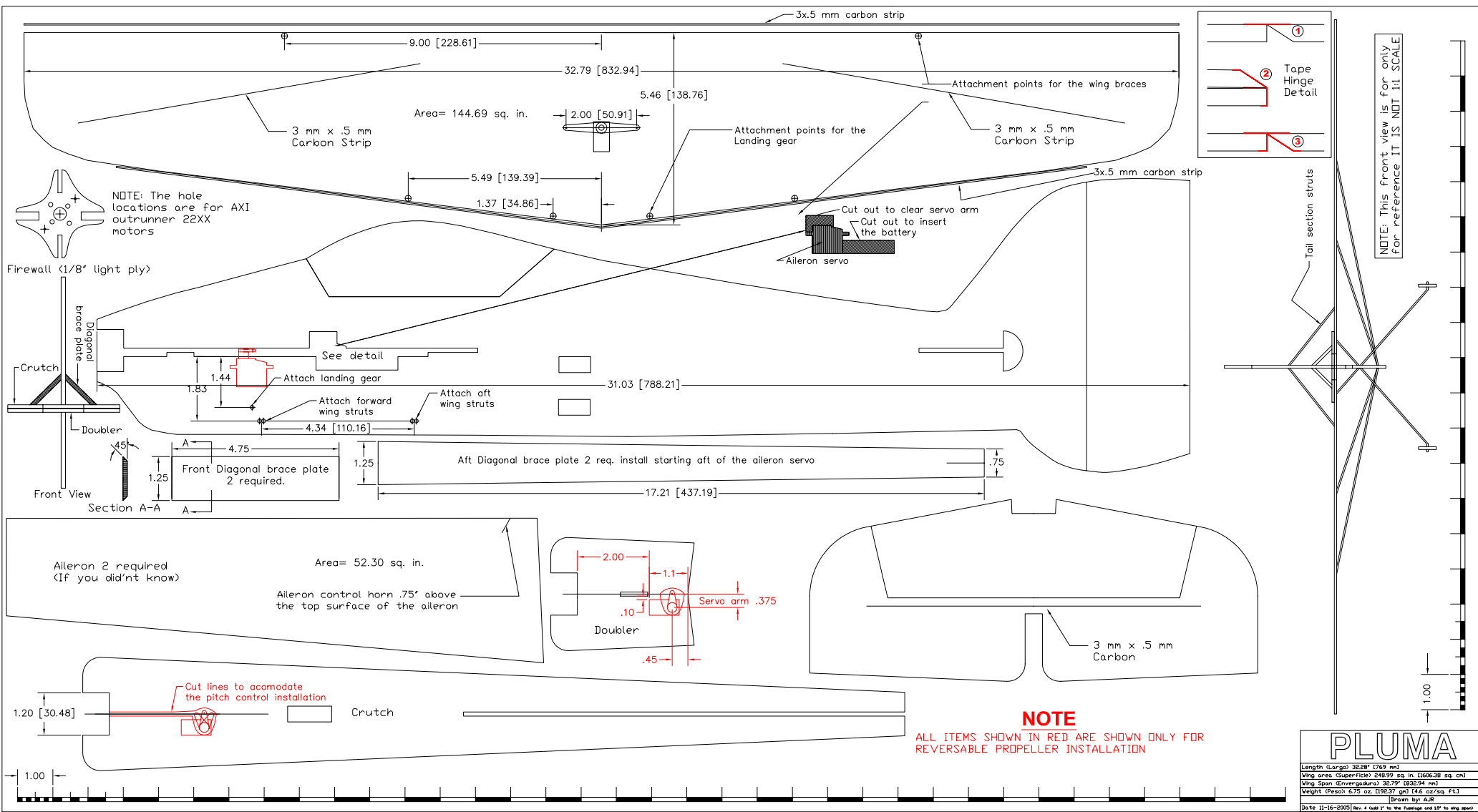
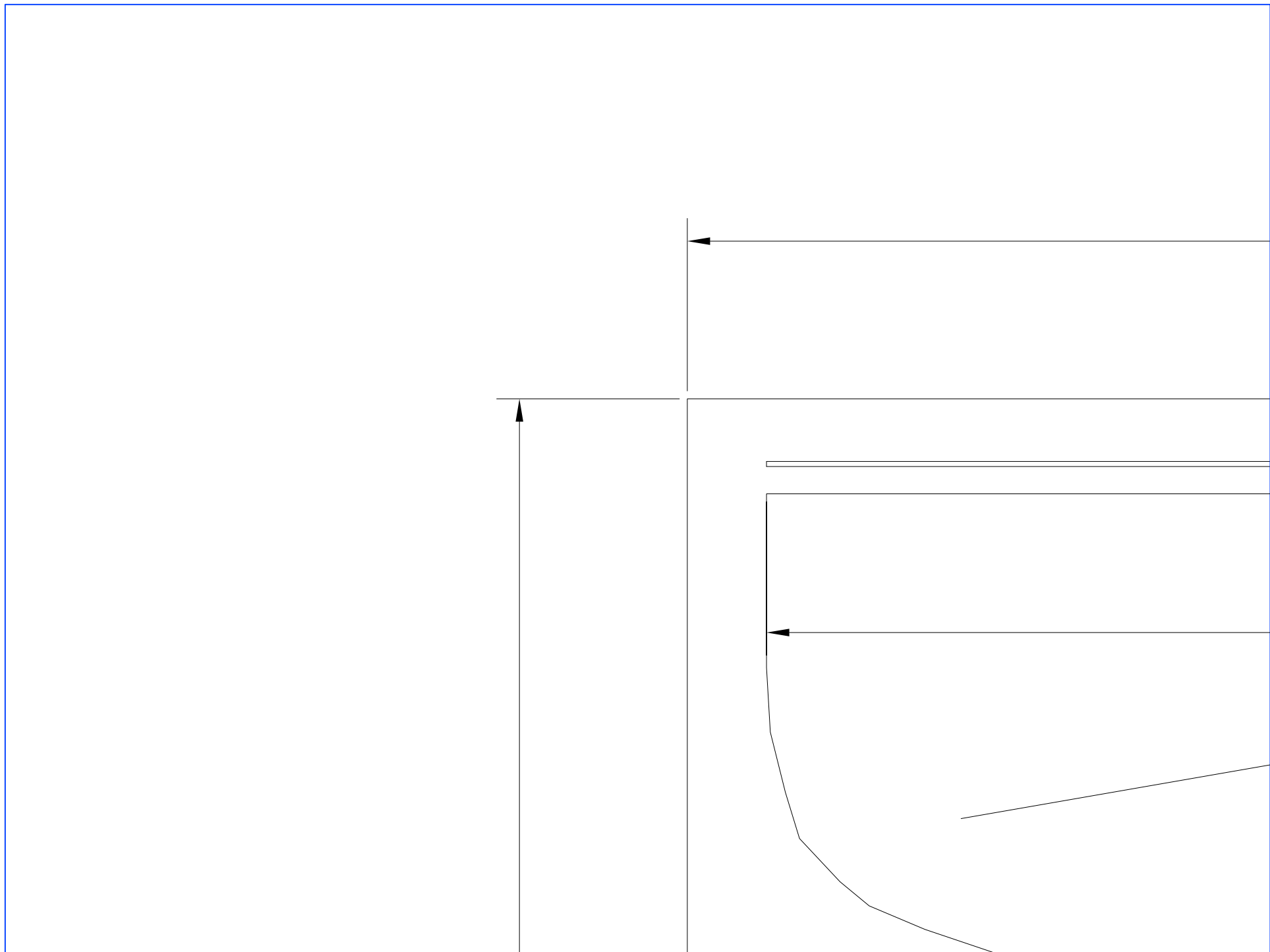
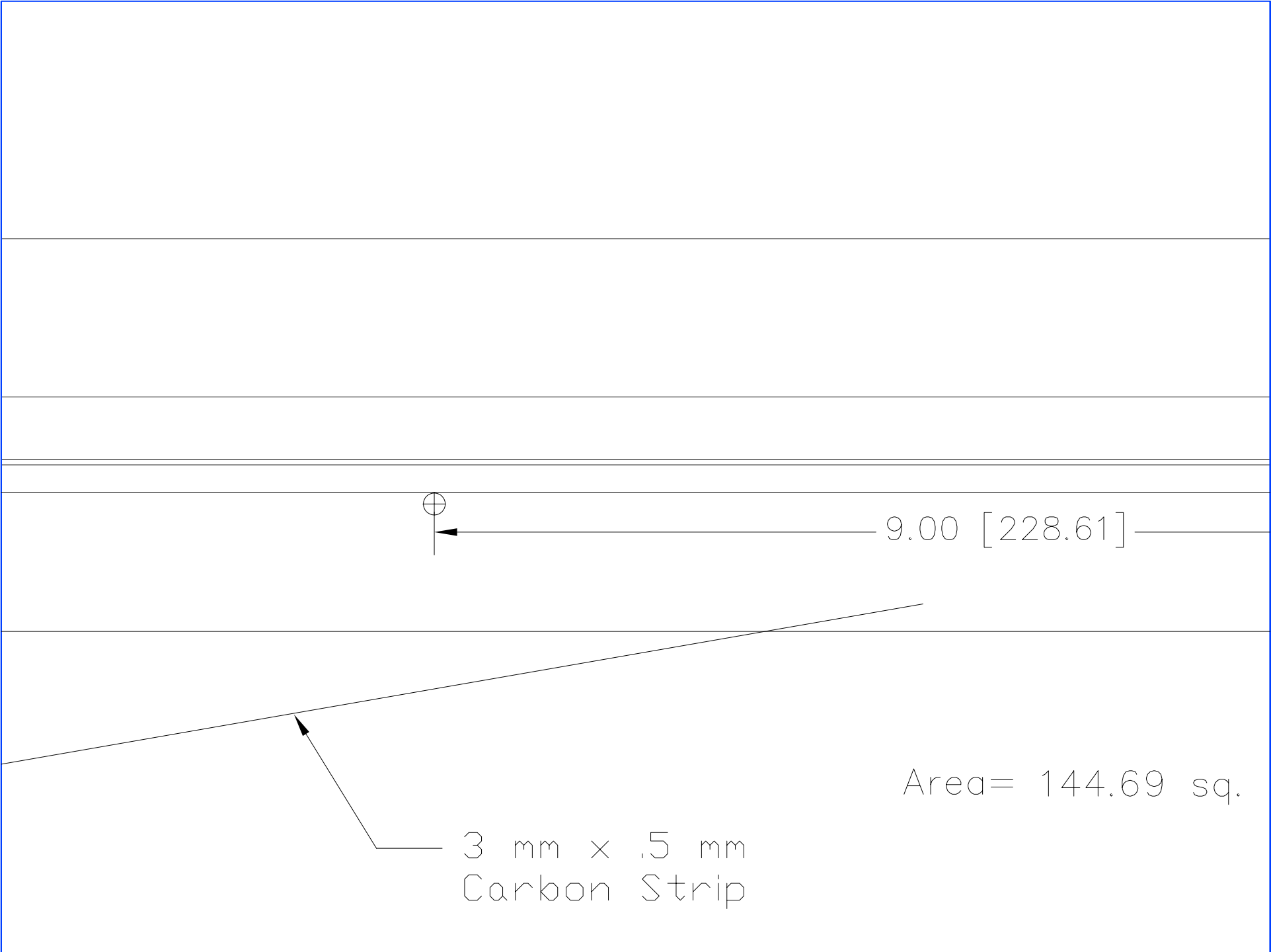


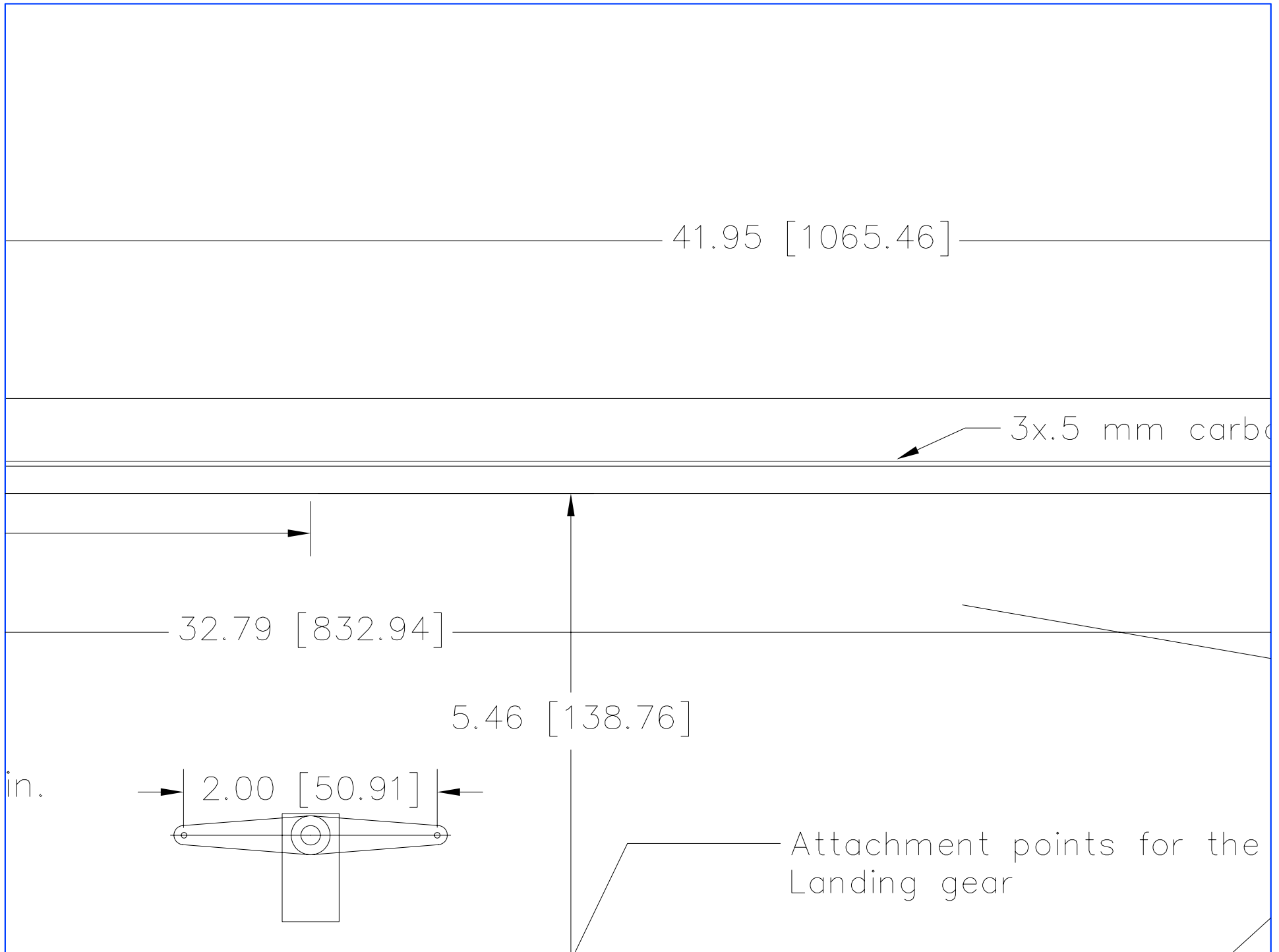
THIS PAGE IS FOR REFERENCE TO HELP IN THE ASSEMBLY OF THE 20 INDIVIDUAL PAGES

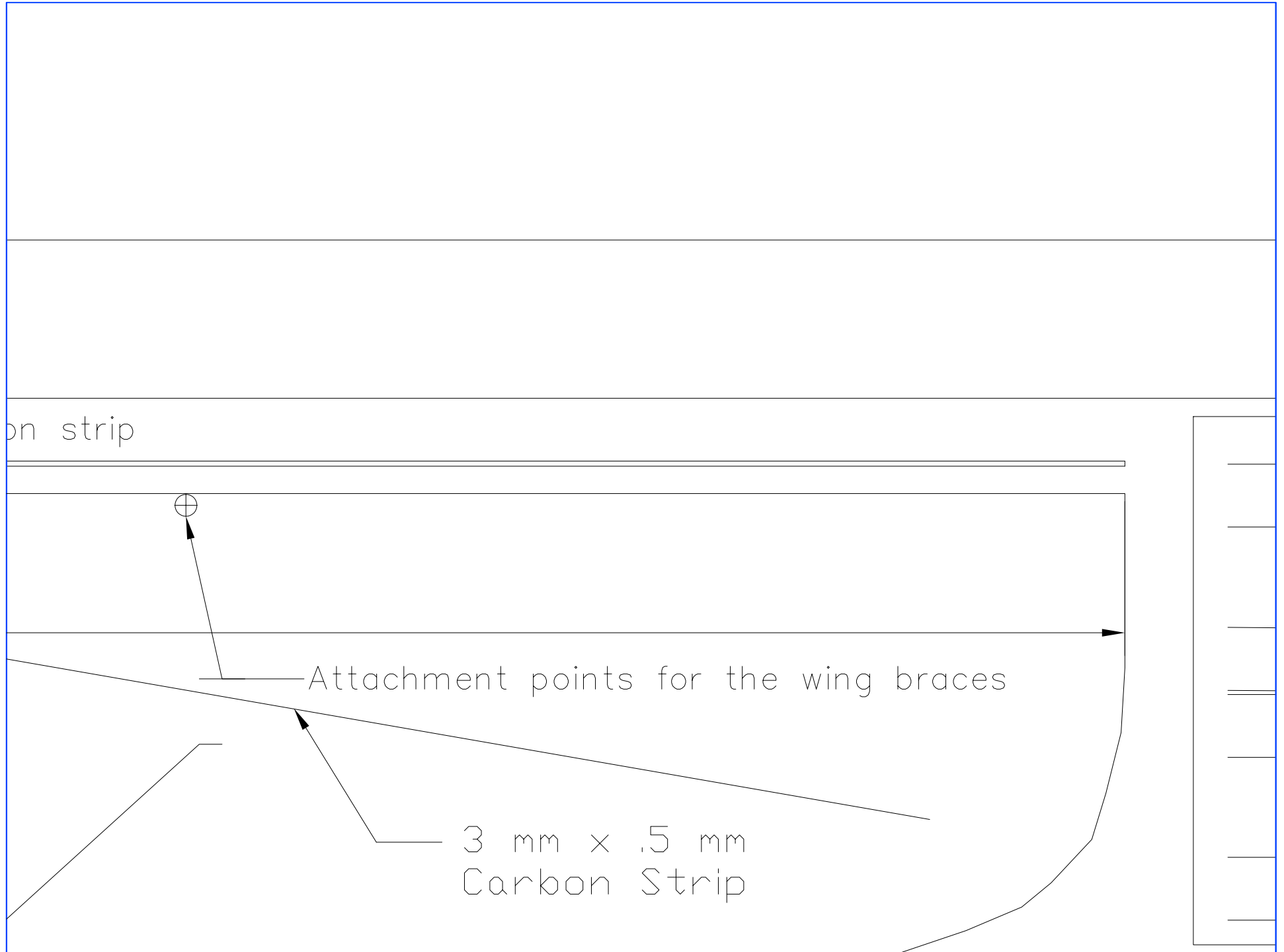


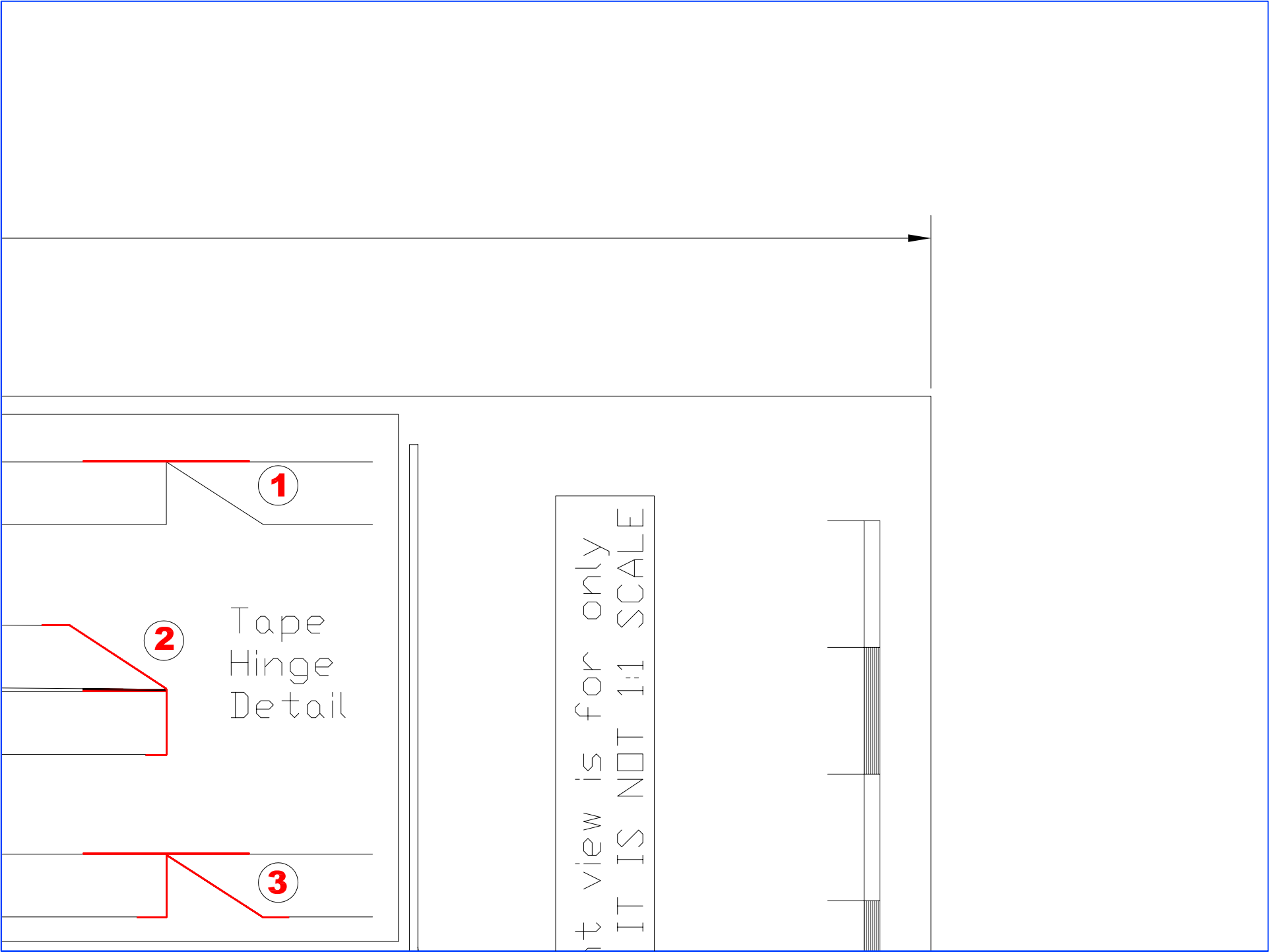
| | |
|-------------------------|--|
| PLUMA | |
| Length (Largo) | 32.28" (769 mm) |
| Wing Area (Superficie) | 243.99 sq. in. (1566.38 sq. cm) |
| Wing Span (Envergadura) | 32.79" (832.94 mm) |
| Weight (Peso) | 6.75 oz. (192.37 gm) [4.6 oz./sq. ft.] |
| Scale | 1:16-2005 Rev. 4 (Scale 1" to the drawing and 1" to wing span) |











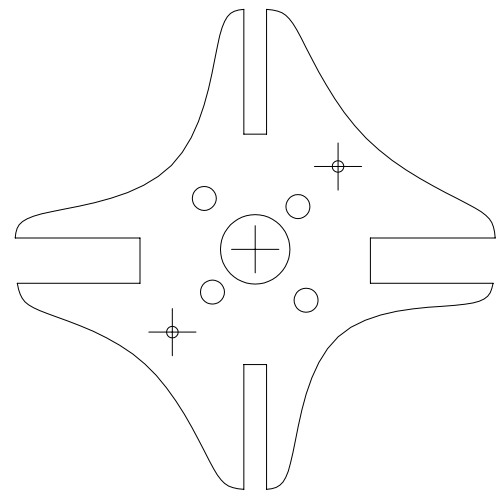
1

2

3

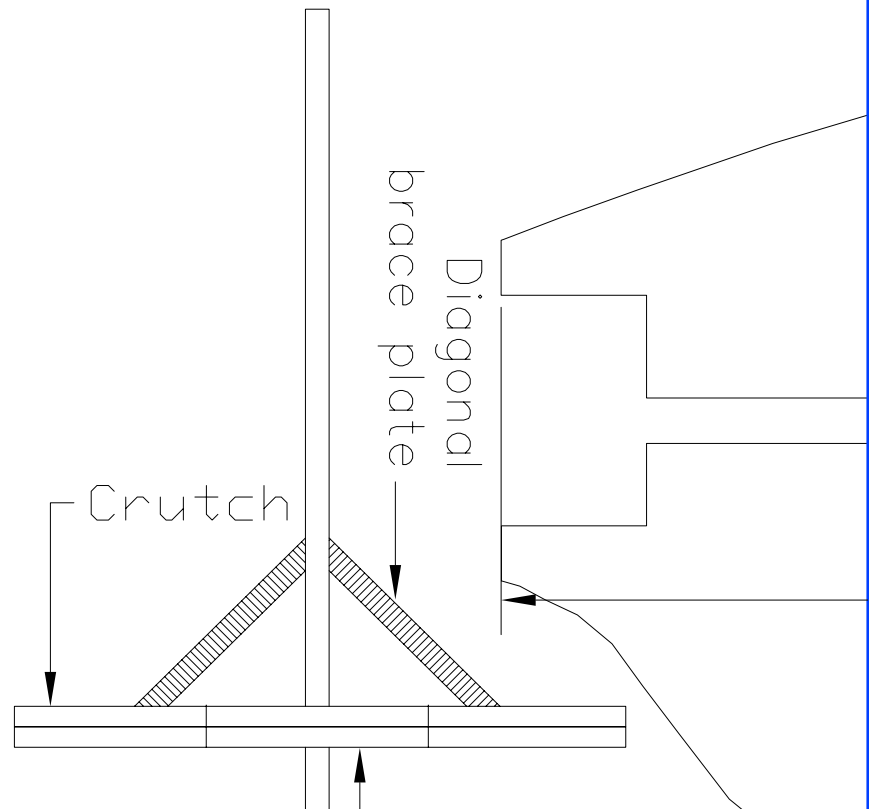
Tape
Hinge
Detail

This view is for only
IT IS NOT 1:1 SCALE

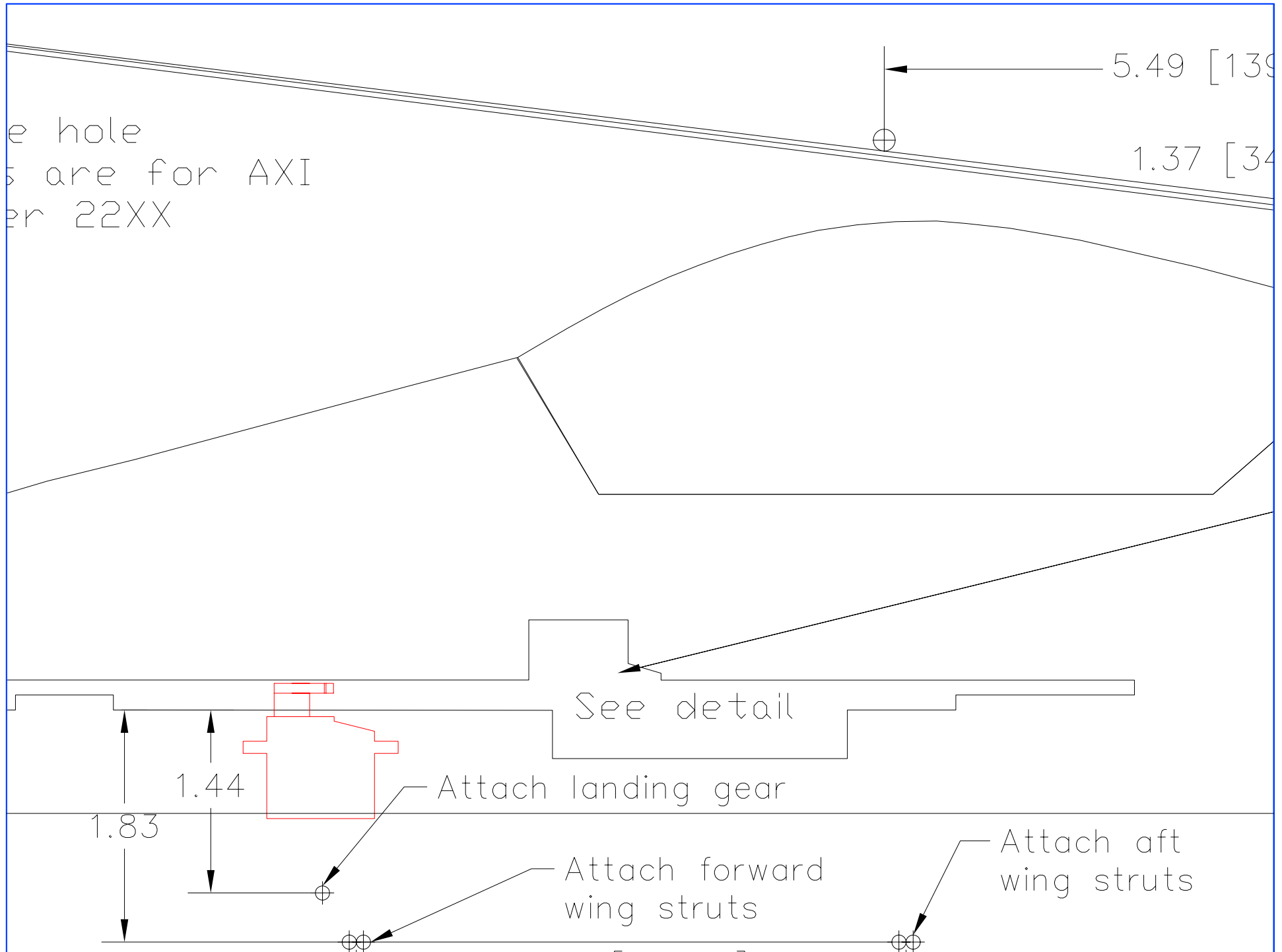


NOTE: The locations outrunner motors

Firewall (1/8" light ply)



22.89 [581.35]



e hole
s are for AXI
er 22XX

5.49 [139]

1.37 [34]

See detail

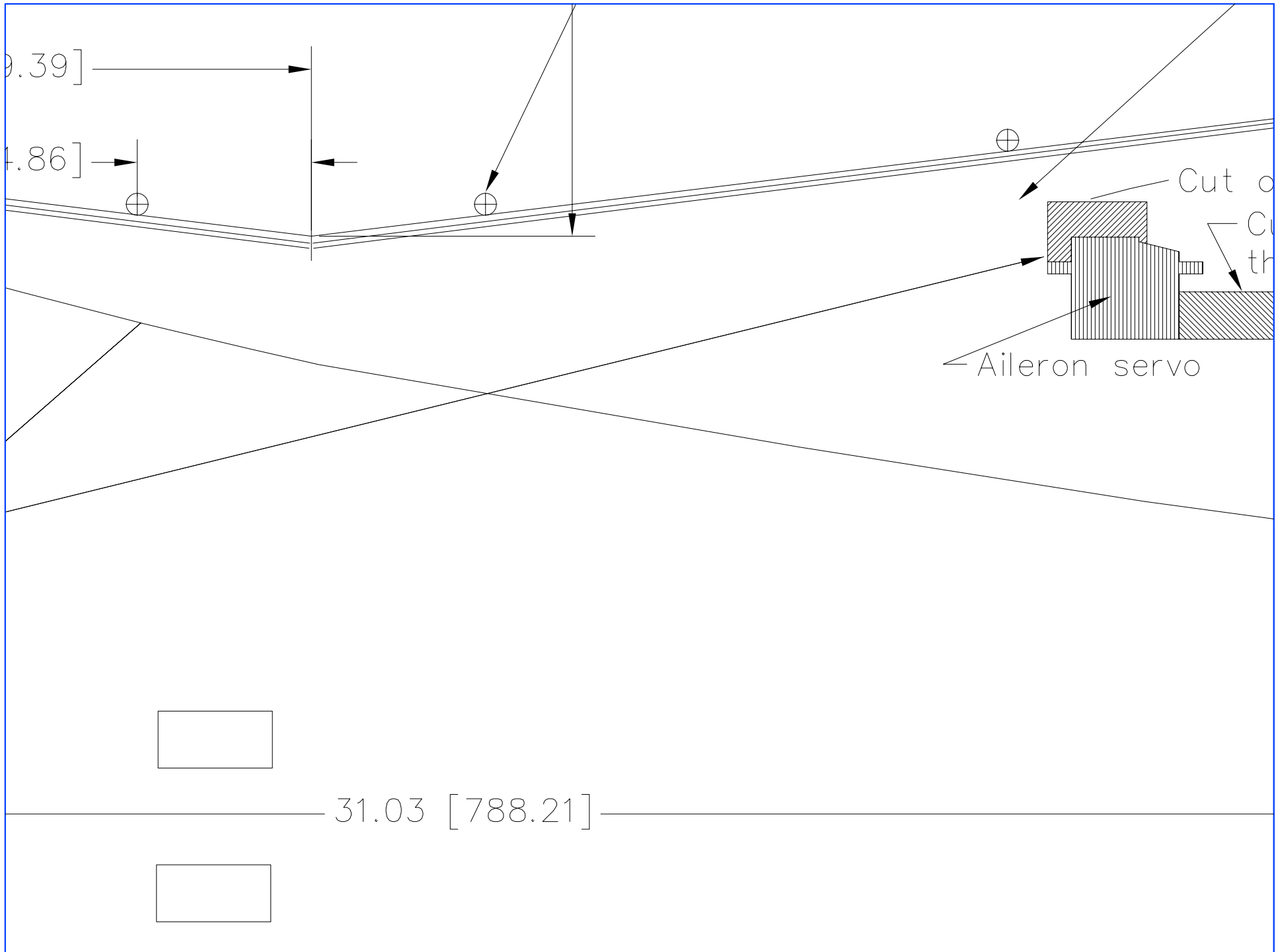
Attach landing gear

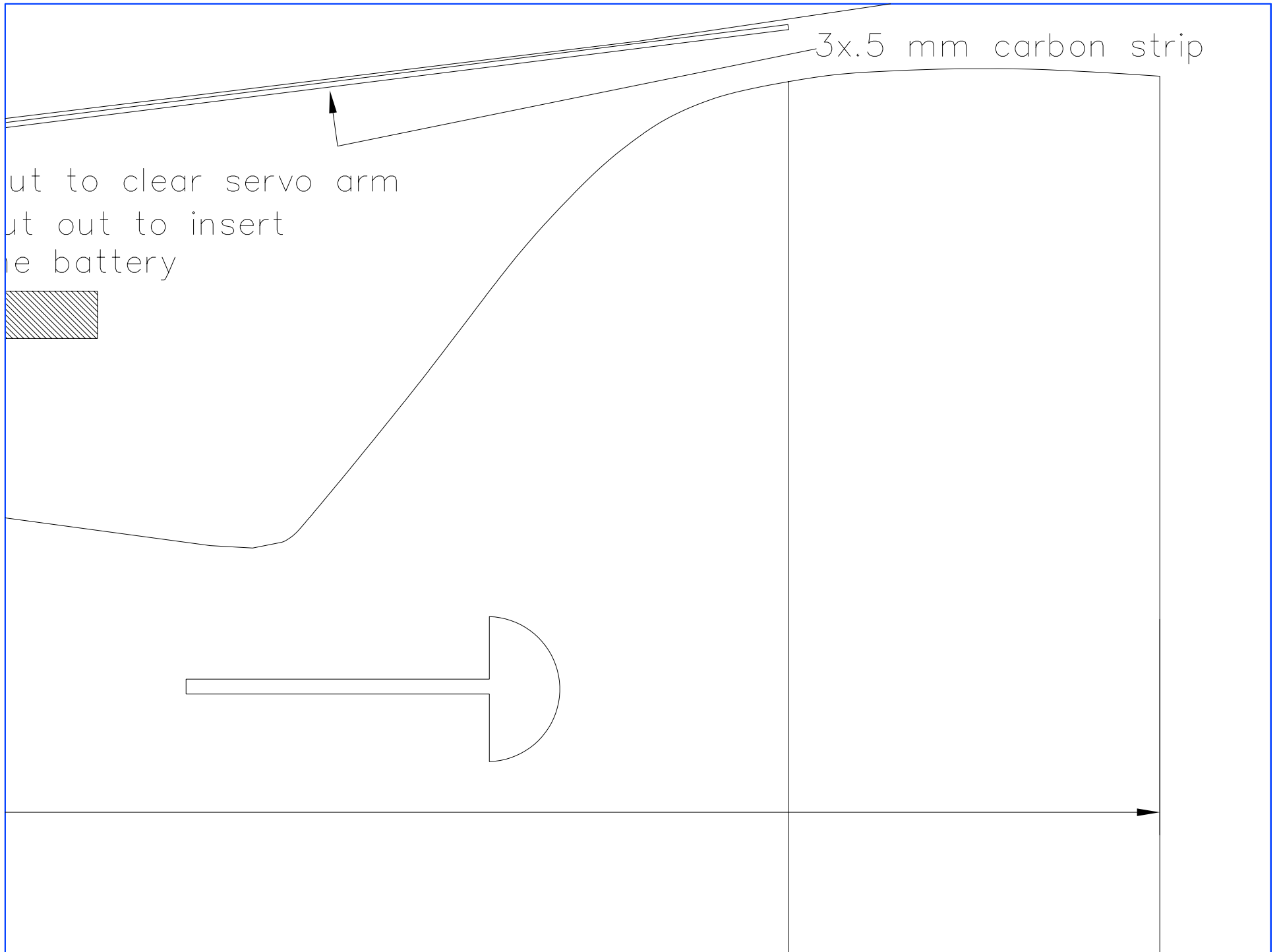
Attach forward
wing struts

Attach aft
wing struts

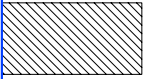
1.83

1.44

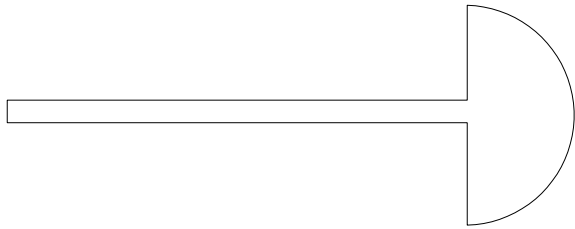


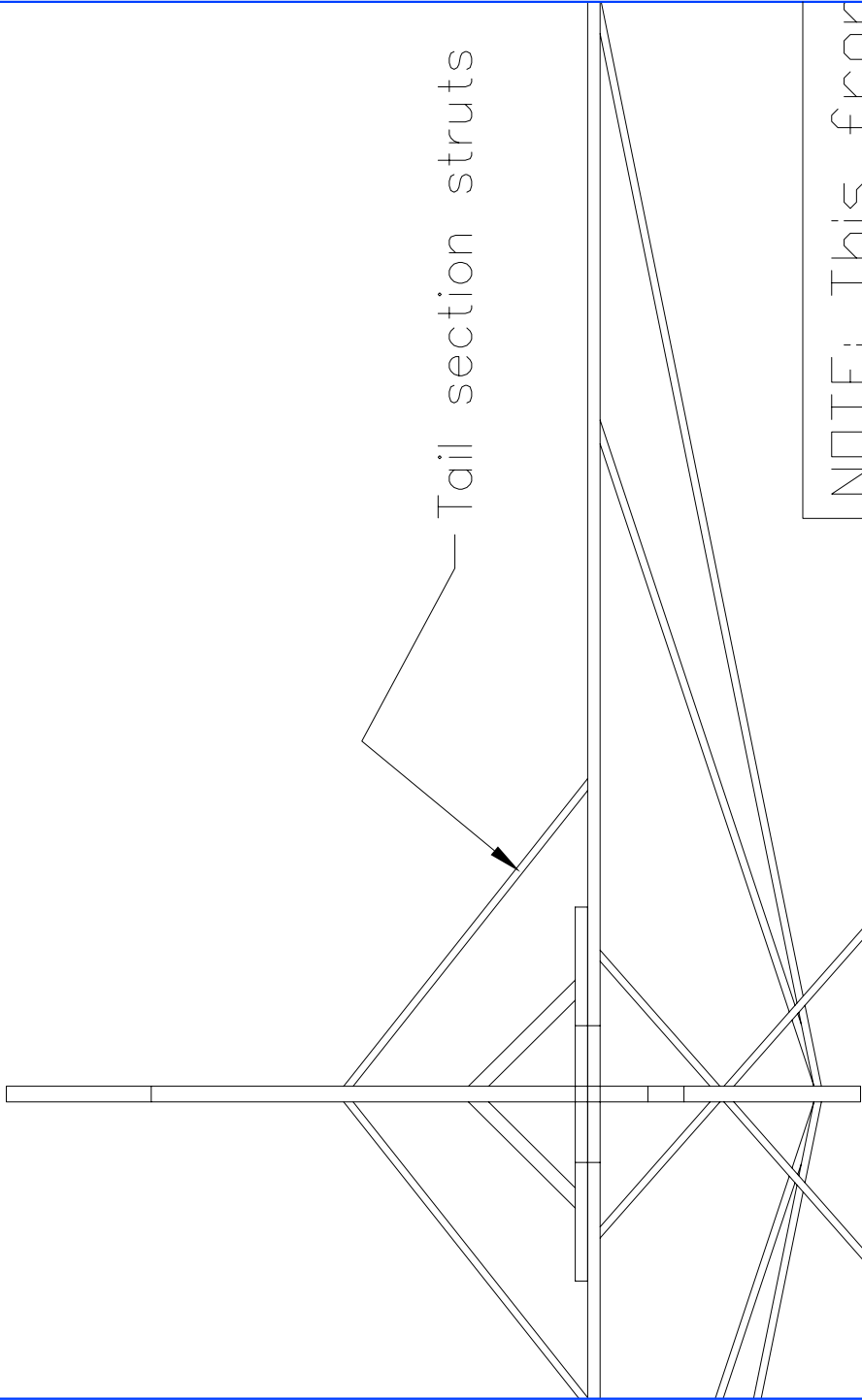


cut to clear servo arm
cut out to insert
the battery

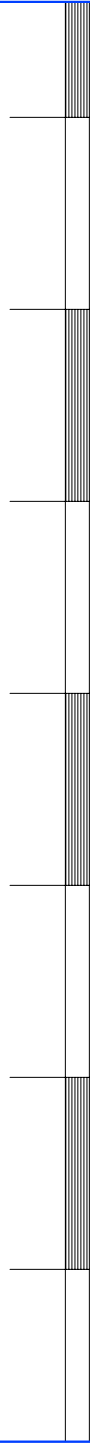


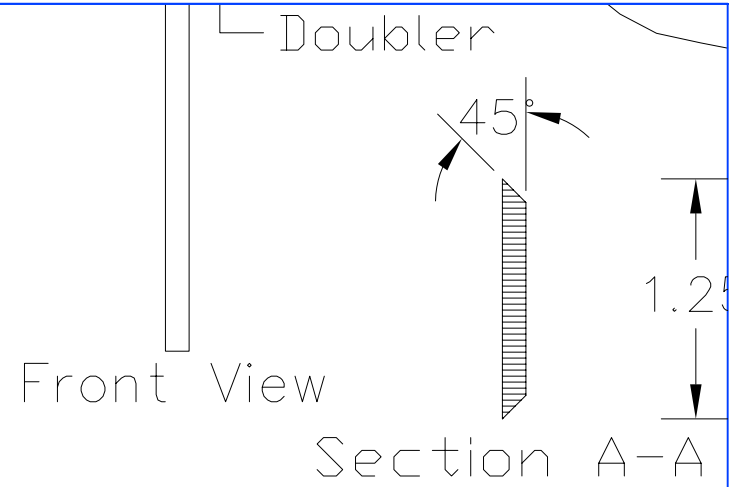
3x.5 mm carbon strip



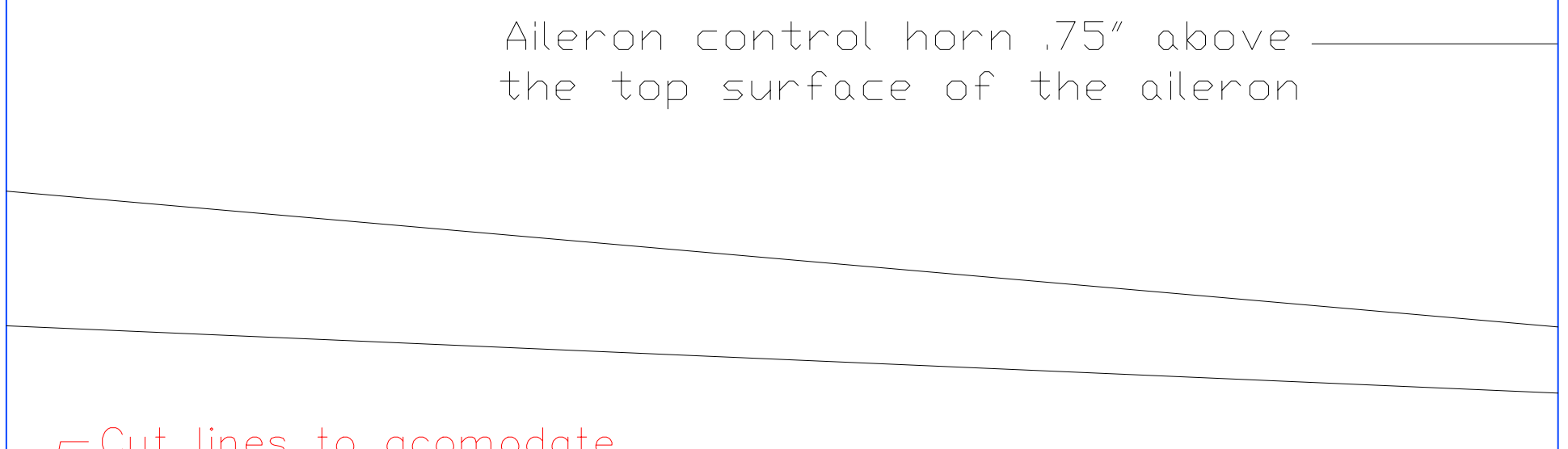
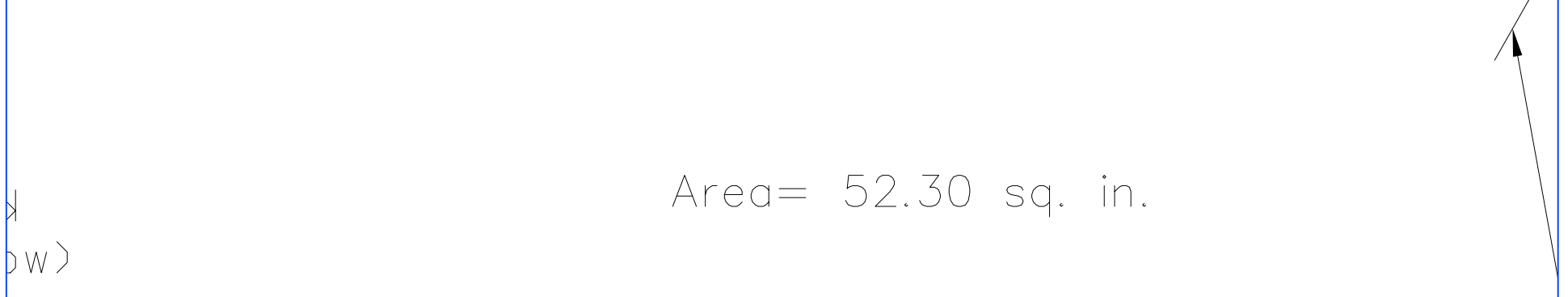
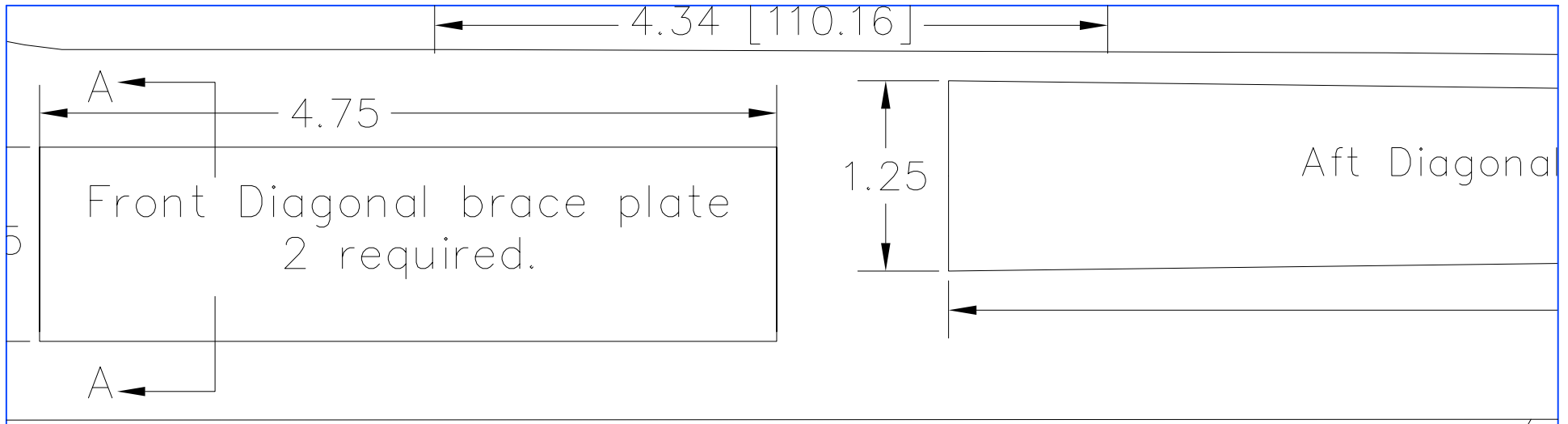


NOTE: This form for reference





Aileron 2 required
(If you didn't know)



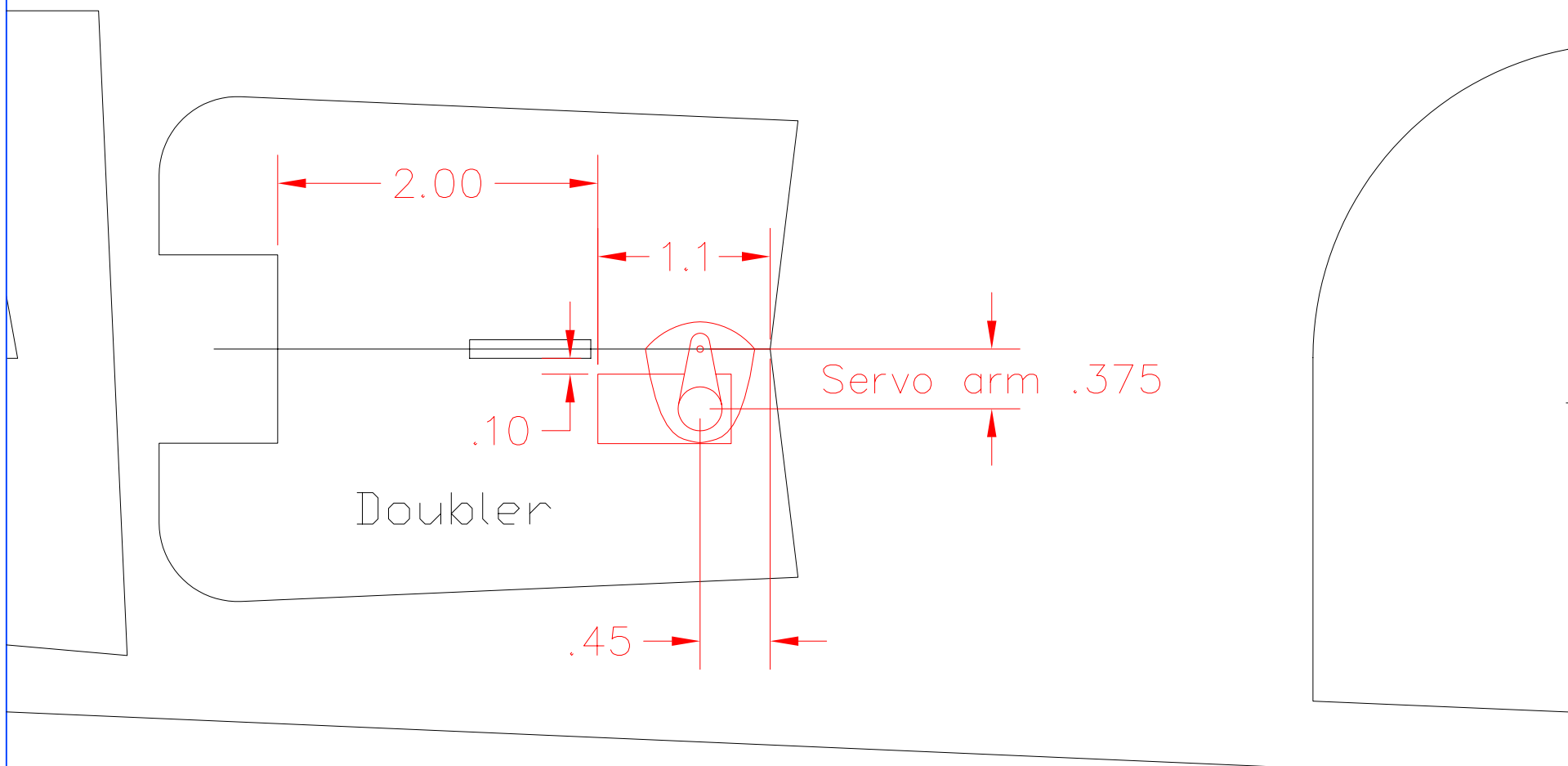
Area= 52.30 sq. in.

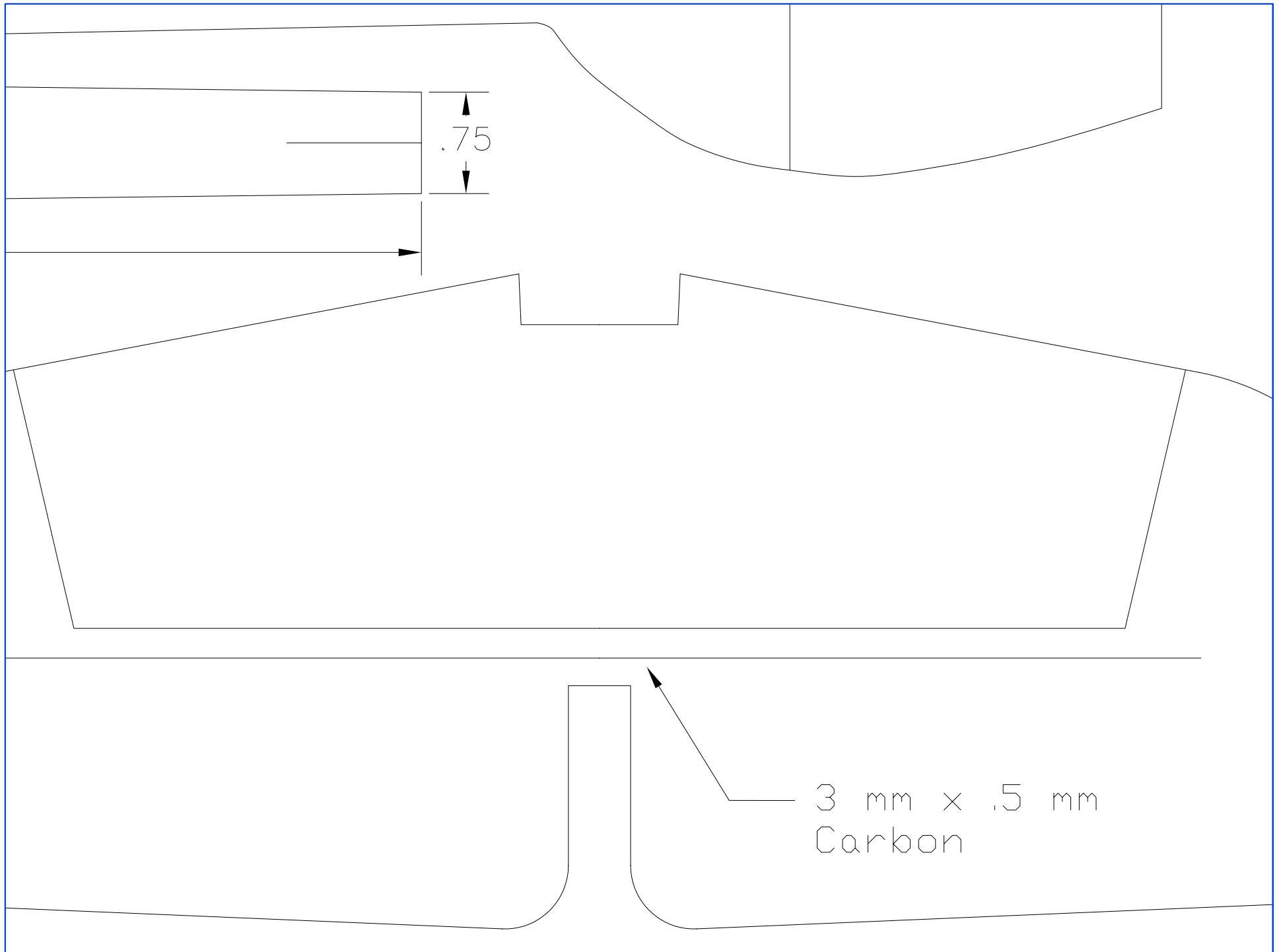
Aileron control horn .75" above the top surface of the aileron

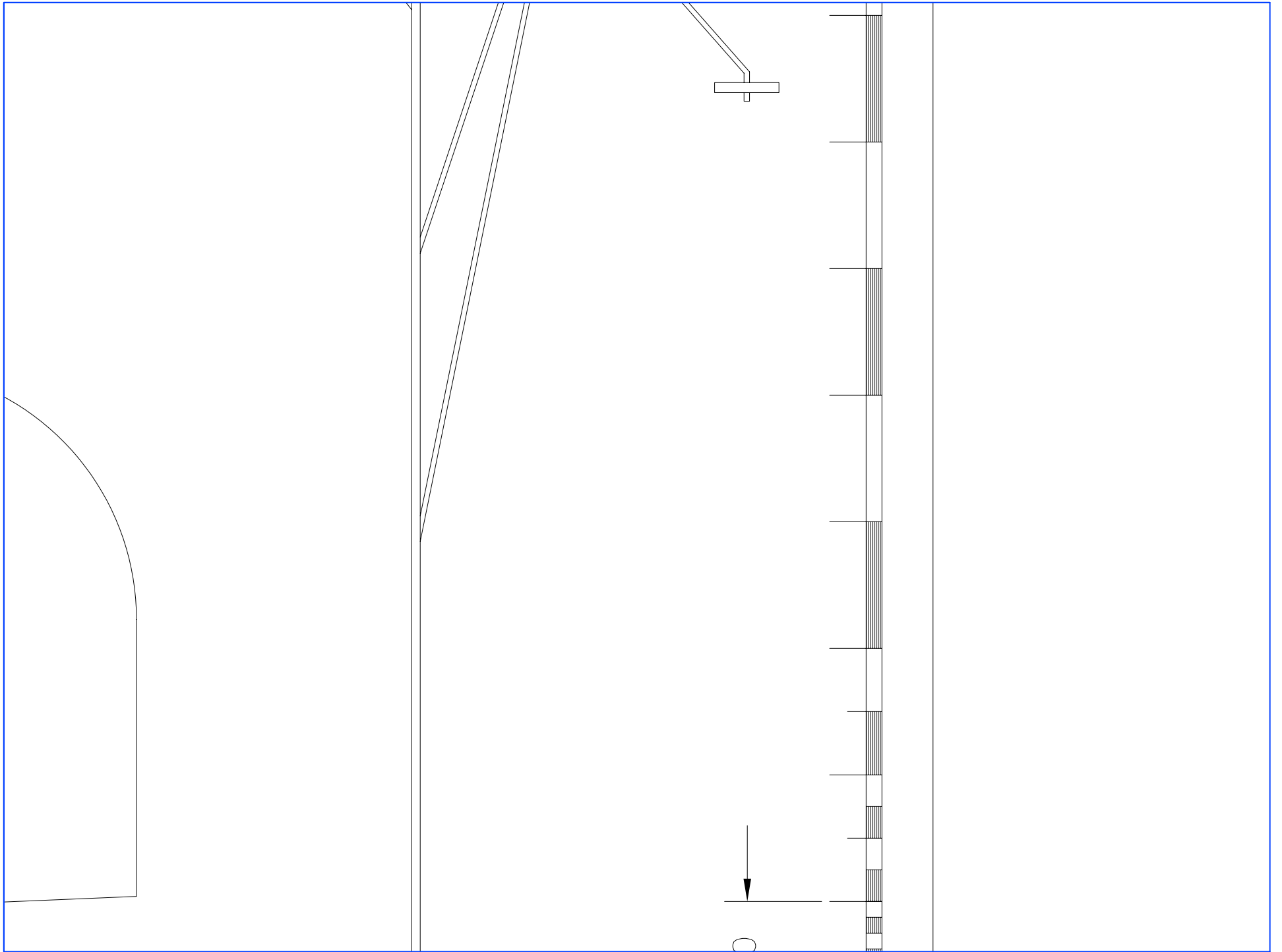
- Cut lines to acomodate

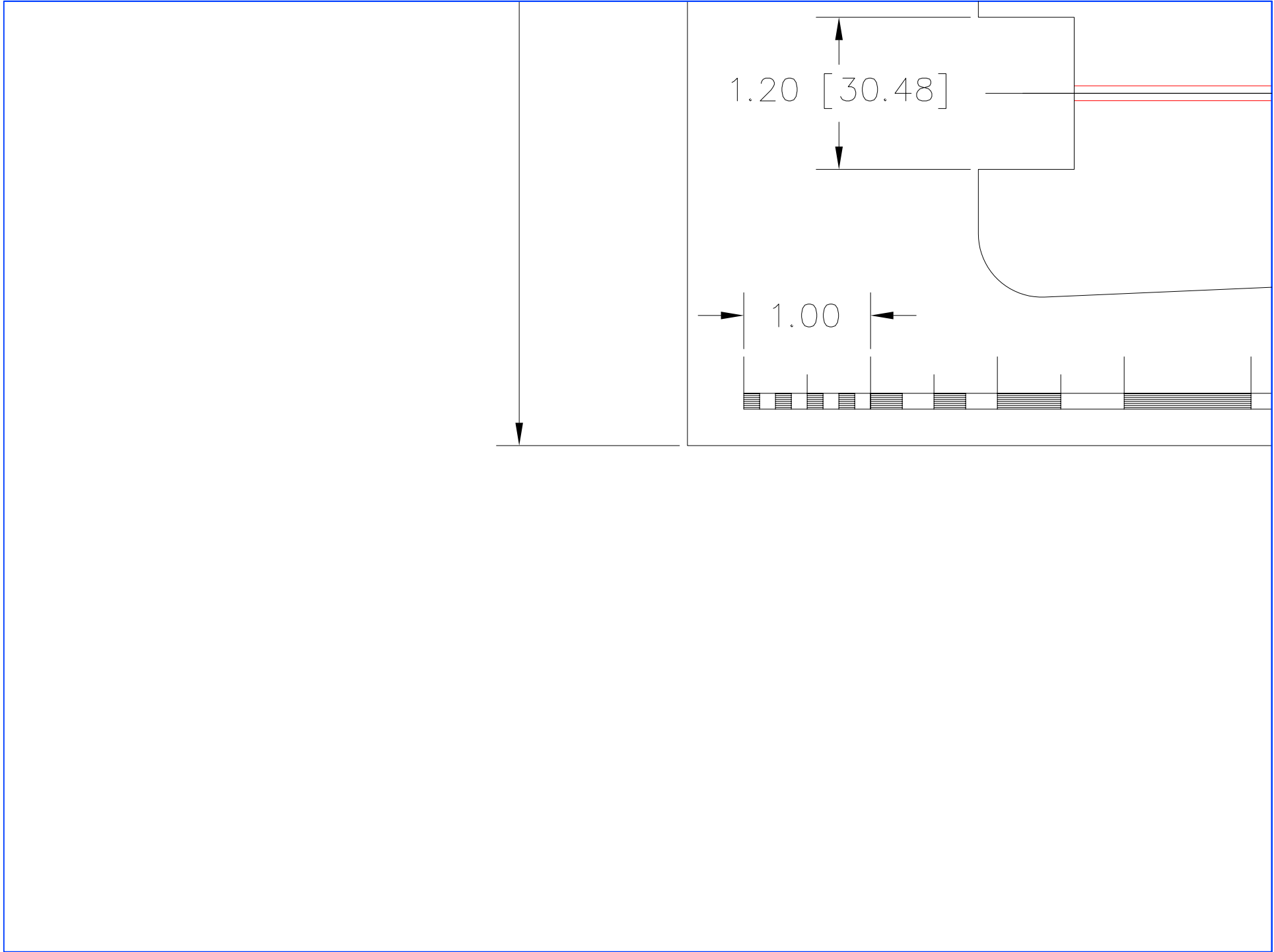
brace plate 2 req. install starting aft of the aileron servo

17.21 [437.19]

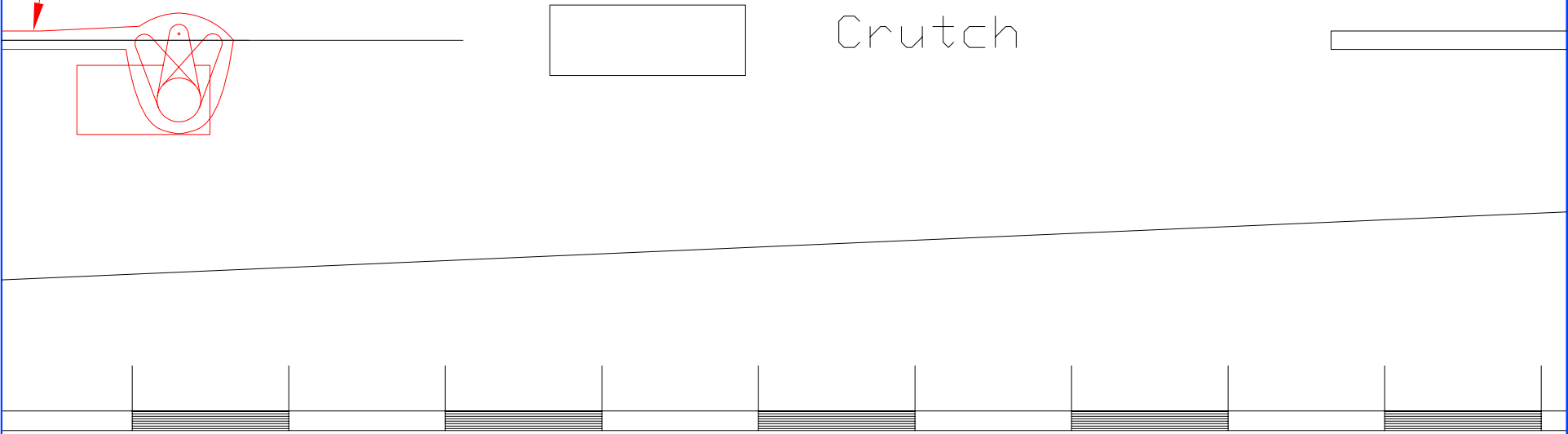




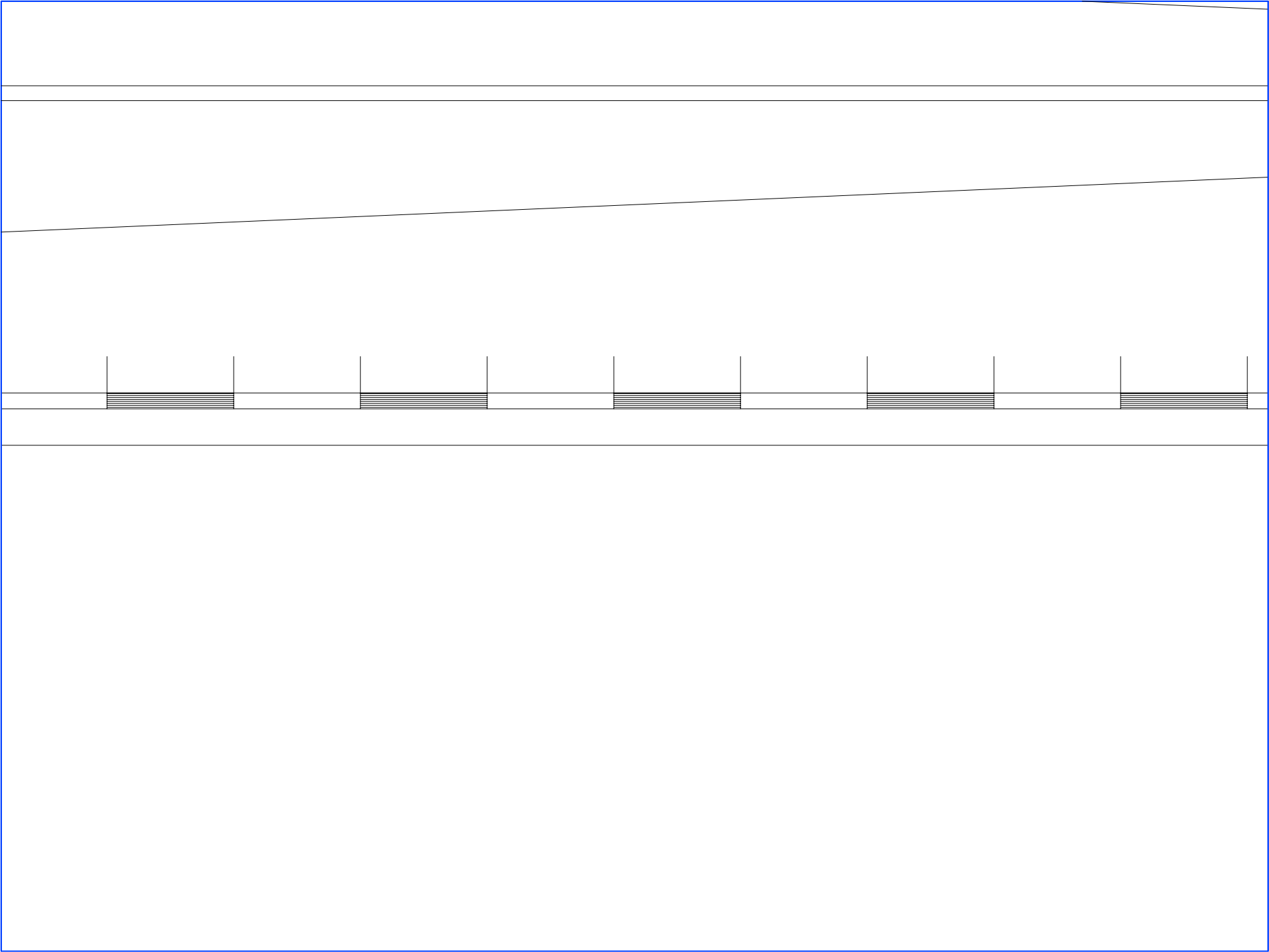




cut lines to accommodate
the pitch control installation



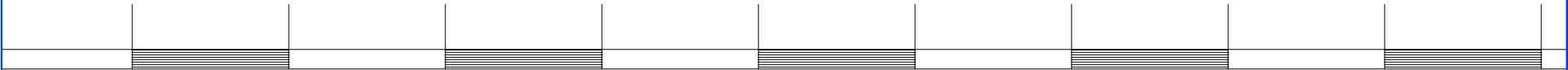
Crutch





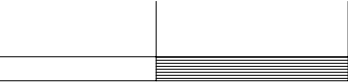
NOTE

ALL ITEMS SHOWN IN RED ARE SHOWN ONLY FOR
REVERSABLE PROPELLER INSTALLATION





PLUMA



Length (Largo) 32.28" [769 mm]

Wing area (Superficie) 248.99 sq. in. [1606.38 sq. cm]

Wing Span (Envergadura) 32.79" [832.94 mm]

Weight (Peso): 6.75 oz. [192.37 gm] [4.6 oz/sq. ft.]

Drawn by: AJR

Date 11-16-2005 Rev. 4 (add 1" to the fuselage and 1.5" to wing span)