

CANDELE "SUPERTIGRE" - GLOW PLUGS



12063362
Glow Plug
n° 1 (copper)
set of 5 pcs.



12063363
Glow Plug
n° 2 (silver)
set of 5 pcs.

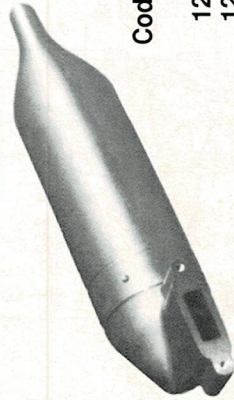


12063364
Glow Plug
n° 3 (black)
set of 5 pcs.

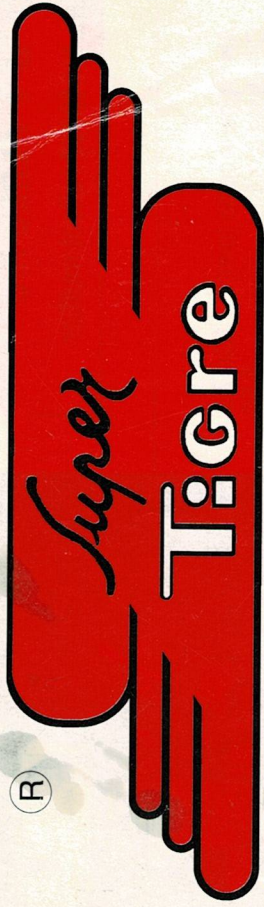


12063365
Glow Plug
n° 4 (gold)
set of 5 pcs.

SILENZIATORI - MUFFLER

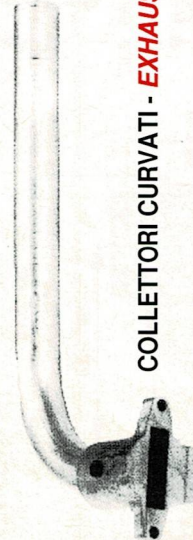


Codice Code	motore engine	peso weight
12521308	X11	40 1.40
12523354	G 500	118 4.14



MOTORI - ENGINES
made in Italy

SUPER TIGRE s.r.l. via dell'Artigiano, 29 - 40065 PIANORO - Bologna (ITALY)
TEL. (051) 777126 - FAX (051) 777452



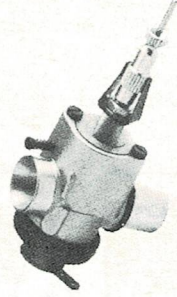
COLLETTORI CURVATI - EXHAUST STACK

Codice Code	motore engine
12483283	G34
12483284	GS40-GS45-G51
12483285	G61-G75-G90

SILENT MUFFLER

Codice Code	motore engine	peso weight
12523410	G34	115 4.03
12523411	GS40-GS45-G51	150 5.26
12523412	G61-G75-G90	172 6.03
12523530	G3250	220 7.71

CARBURATORI MAG - CARBURETTOR



Codice Code	motore engine
12161199	X11
12163273	G34 Aereo
12162970	G34 Heli
12163146	S61-S75-S90-S2000/25
12163686	G3250-G4500
12163145	S40-S45-G51
12163353	G 500



*Qualità e prestazioni superiori
da oltre 40 anni!*

*Superior quality and performances
since more than 40 years!*

G 90 RING R/C

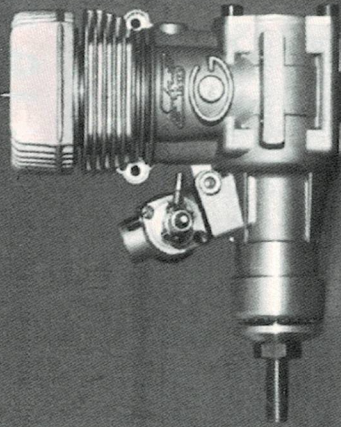
cod. 11003544 / silent muffler

Alesaggio x corsa (mm) 27,5x24,8
Cilindrata (c.c.) 14,73
Potenza - giri al 1' 2,50 - 14.800
Peso (gr.) 589

Bore x stroke (inches) 1.083x.976
Displacement (cu. in.) .90
Output - BHP/r.p.m. 2.5 - 14,800
Weight (oz.) 20.66

Eliche consigliate-Suggested props
Standard muffler 12x8 - 13x6
Tiger's paw 13x8 - 14x6

Pistone monosegmento - Travasi
Superfregge - 2 cuscinetti a sfere -
Carburatore R/C - Con silenziatore
Single ringed piston - Superfregge
scavenged - 2 b/bearings -
Throttle control - With muffler



G 20 RING R/C W/M

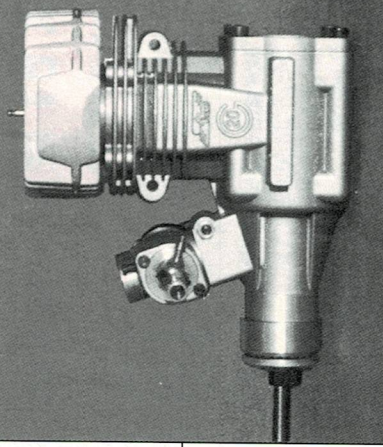
cod. 11003708

Alesaggio x corsa (mm) 30x28
Cilindrata (c.c.) 19,79
Potenza - giri al 1' -----
Peso (gr.) 857

Bore x stroke (inches) 1.180x1.100
Displacement (cu. in.) 1.207
Output - BHP/r.p.m. -----
Weight (oz.) 30.17

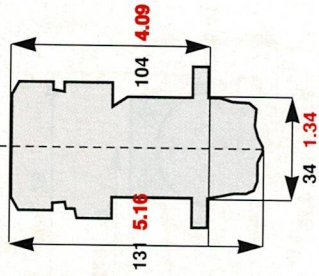
Eliche consigliate-Suggested props
Standard muffler 18x6 - 16x8
Tiger's paw -----

Pistone monosegmento - Travasi
Superfregge - 2 cuscinetti a sfere -
Carburatore R/C - Con silenziatore
Single ringed piston - Superfregge
scavenged - 2 b/bearings -
Throttle control - With muffler



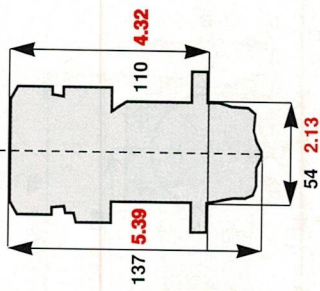
S 2000/25 R/C

Dimensioni (mm)
Dimensions (inches)



S 3250 R/C

Dimensioni (mm)
Dimensions (inches)



S 2000/25 R/C

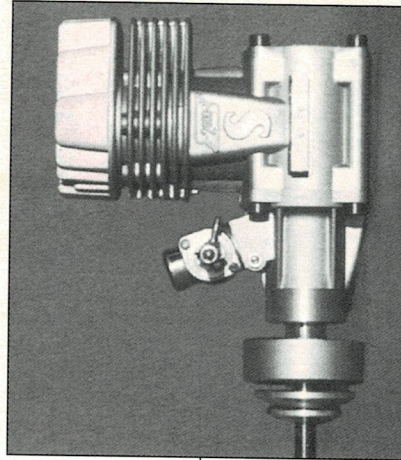
cod. 11002112

Alesaggio x corsa (mm) 32,5x30
Cilindrata (c.c.) 24,89
Potenza - giri al 1' 2,8 - 10.000
Peso (gr.) 1.248

Bore x stroke (inches) 1.280x1.181
Displacement (cu. in.) 1.52
Output - BHP/r.p.m. 2.8 - 10,000
Weight (oz.) 43.78

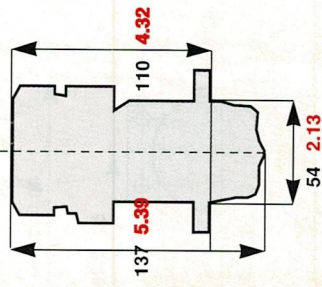
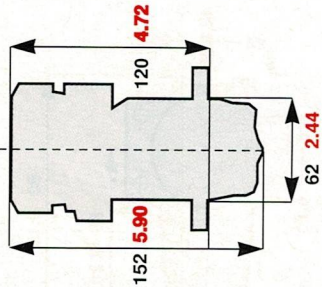
Eliche consigliate-Suggested props
Standard muffler 18x6 - 18x8
Tiger's paw -----

Pistone monosegmento - Travasi
Superfregge - 2 cuscinetti a sfere -
Carburatore R/C - Con attacco
radiale
Stringed piston - Superfregge sca-
venged - 2 b/bearings - Throttle
control - With radial mount



G 4500 R/C

Dimensioni (mm)
Dimensions (inches)

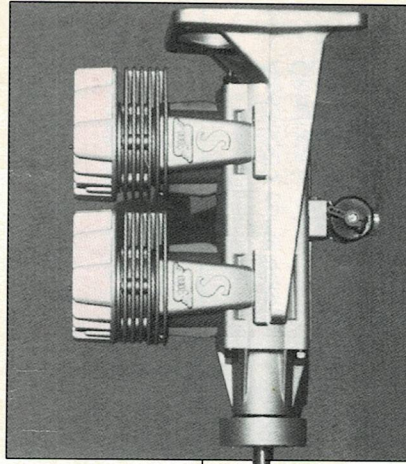


TWIN 60

INLINE R/C
Dimensioni (mm)
Dimensions (inches)

TWIN 60 INLINE R/C

cod. 11002310



Alesaggio x corsa (mm) 2x 35x31
Cilindrata (c.c.) 59,66
Potenza - giri al 1' 5,8 - 8.000
Peso (gr.) 2.198

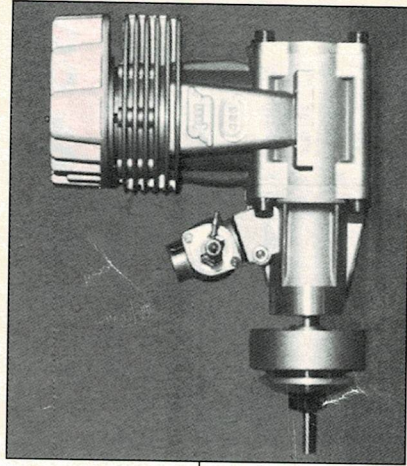
Bore x stroke (inch.) 2x 1.378x1.220
Displacement (cu. in.) 3.64
Output - BHP/r.p.m. 5.8- 8,000
Weight (oz.) 77.12

Eliche consigliate-Suggested props
Standard muffler 22x10 - 24x8
Tiger's paw -----
included

Pistone monosegmento - Travasi
Supertigre - 4 cuscinetti a sfere -
Carburatore R/C - Con castello
motore
Single ringed piston - Supertigre
scavenged - 2 b/bearings -
Throttle control - Motor mounting
included

G 3250 R/C

cod. 11003522



Alesaggio x corsa (mm) 36x32
Cilindrata (c.c.) 32,61
Potenza - giri al 1' 3,2 - 7.700
Peso (gr.) 1.225

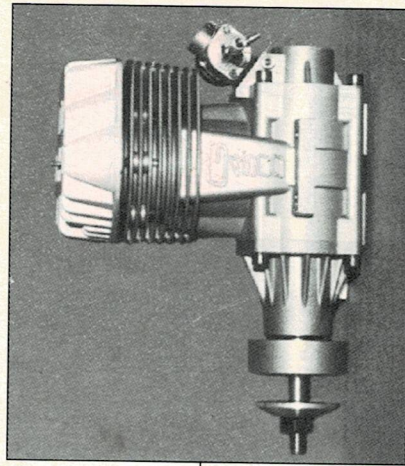
Bore x stroke (inches) 1.417x1.128
Displacement (cu. in.) 1.989
Output - BHP/r.p.m. 3.2 - 7,700
Weight (oz.) 42.98

Eliche consigliate-Suggested props
Standard muffler 18x6 - 18x8
Tiger's paw -----
included

Pistone monosegmento - Travasi
Supertigre - 2 cuscinetti a sfere -
Carburatore R/C - Con attacco
radiale
Stringed piston - Supertigre sca-
venged - 2 b/bearings - Throttle
control - With radial mount

G 4500 R/C

cod. 11002968



Alesaggio x corsa (mm) 40x36
Cilindrata (c.c.) 45,24
Potenza - giri al 1' 4,5 - 8.000
Peso (gr.) 1.897

Bore x stroke (inches) 1.57x1.42
Displacement (cu. in.) 2.76
Output - BHP/r.p.m. 4.5 - 8,000
Weight (oz.) 66.56

Eliche consigliate-Suggested props
Standard muffler 20x10 - 22x8
Tiger's paw -----
included

Pistone monosegmento - Travasi
Supertigre - 4 cuscinetti a sfere -
Aspirazione posteriore -
Carburatore R/C - Con castello
motore
Single ringed piston - Supertigre
scavenged - 4 b/bearings -
Throttle control - Motor mounting
included

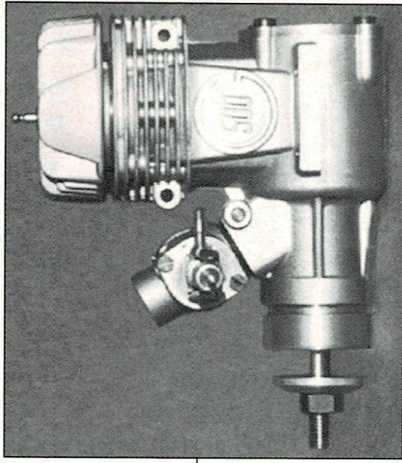
G 500 R/C W/M

cod. 11003350 / tuned muffler

Alesaggio x corsa (mm) 21,5x17,8
Cilindrata (c.c.) 6,46
Potenza - giri al 1' 1,55 - 21.000
Peso (gr.) 365

Bore x stroke (inches) .846x.701
Displacement (cu. in.) .39
Output - BHP/r.p.m. 1.55 - 21,000
Weight (oz.) 12.81

Eliche consigliate-Suggested props
Standard muffler 9^{1/2}x6
Tiger's paw 9x7



Cilindro-pistone camicia cromata -
Travasi Schnuerle - 2 cuscinetti a
sfere - Carburatore R/C - Con
silenziatore accordato
Chromed cylinder assy -
Schnuerle scavenged - 2 b/bear-
ings - Throttle control - With tuned
muffler

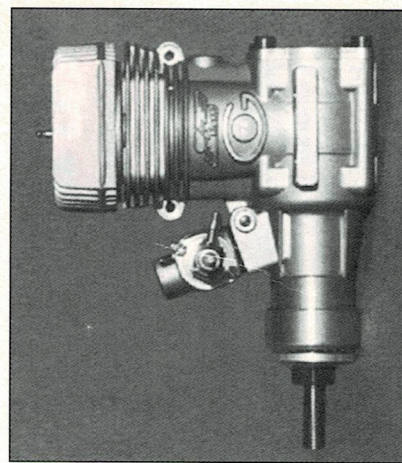
G 75 RING R/C

cod. 11003570 / silent muffler

Alesaggio x corsa (mm) 26x23
Cilindrata (c.c.) 12,21
Potenza - giri al 1' 2,18 - 15.600
Peso (gr.) 588

Bore x stroke (inches) 1.024x.906
Displacement (cu. in.) .75
Output - BHP/r.p.m. 2.18 - 15,600
Weight (oz.) 20.63

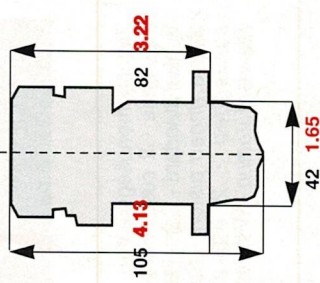
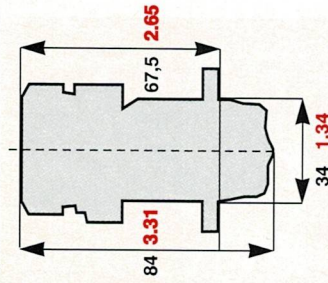
Eliche consigliate-Suggested props
Standard muffler 12x6 - 13x6
Tiger's paw 12x8 - 13x7



Pistone monosegmento - Travasi
Supertigre - 2 cuscinetti a sfere -
Carburatore R/C - Con silenziatore
Single ringed piston - Supertigre
scavenged - 2 b/bearings -
Throttle control - With muffler

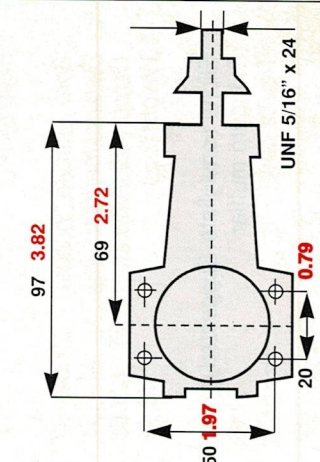
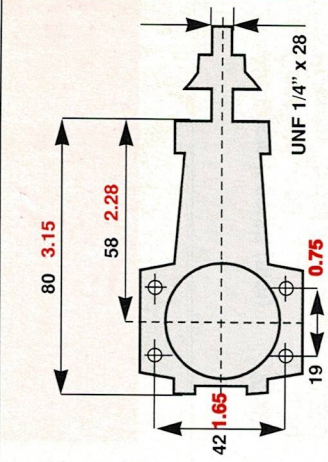
G 500 ABC R/C W/M

Dimensioni (mm)
Dimensions (inches)



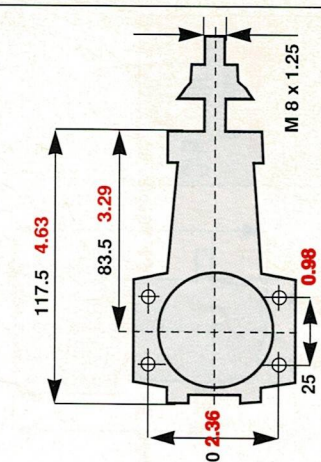
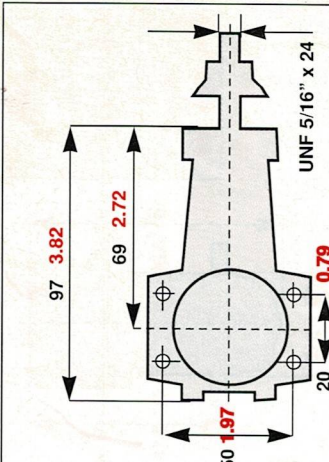
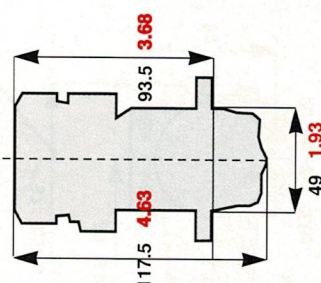
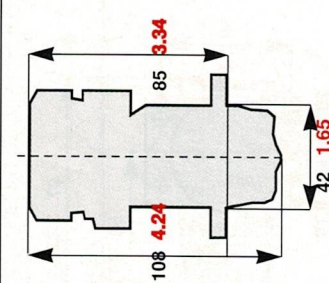
G 75 RING R/C W/M

Dimensioni (mm)
Dimensions (inches)



G 90 RING R/C W/M

Dimensioni (mm)
Dimensions (inches)



G 20 RING R/C W/M

Dimensioni (mm)
Dimensions (inches)