

COWLING DETAIL

SAND GROOVE FOR MACHINE-GUN PORT

FILL WITH 1/16" SHEET BALSA

REMOVEABLE NOSEBLOCK N4 & N5
FOR SHAFT BEARING USE PECK-POLYMERS NYLON BEARING

MAKE SPINNER FROM N6 THROUGH N12

2° DOWNTHRUST

SCALE PROP SHOWN THIS VIEW

WHEELS W14 & W15
GLUE CROSS-GRAIN

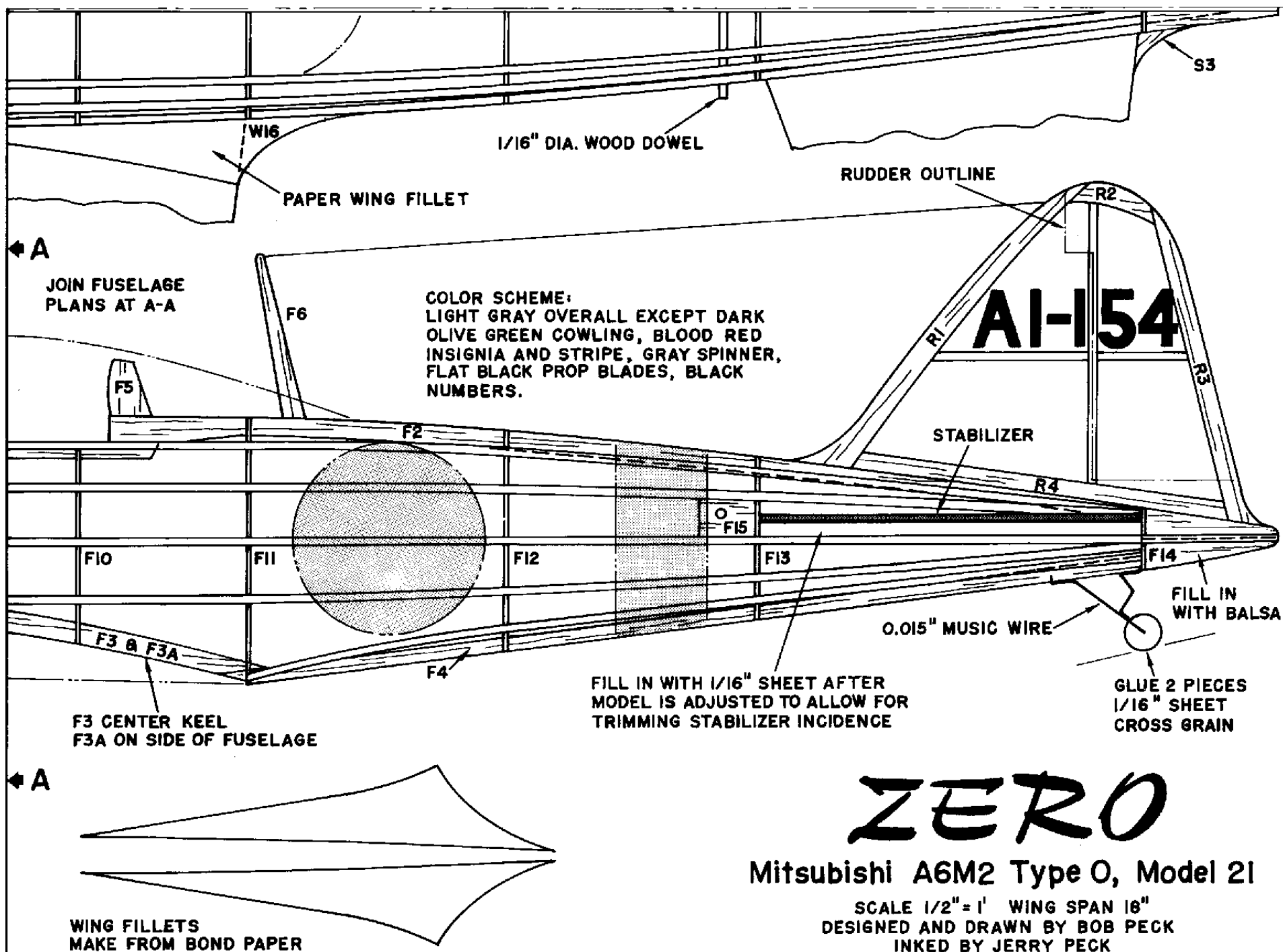
MAKE LANDING GEAR FROM 1/32" MUSIC WIRE
BEND ONE AS SHOWN AND ONE OPPOSITE
WRAP WITH PAPER FOR SHAPE

PECK-POLYMERS NYLON BEARING

FLYING PROP
6" OR 7" DIA.
PLASTIC KAYSUN

WING
BALANCE POINT

ZERO SHEET 2



COLOR SCHEME:
 LIGHT GRAY OVERALL EXCEPT DARK
 OLIVE GREEN COWLING, BLOOD RED
 INSIGNIA AND STRIPE, GRAY SPINNER,
 FLAT BLACK PROP BLADES, BLACK
 NUMBERS.

AI-154

ZERO

Mitsubishi A6M2 Type O, Model 21

SCALE 1/2" = 1' WING SPAN 16"
 DESIGNED AND DRAWN BY BOB PECK
 INKED BY JERRY PECK

JOIN FUSELAGE
 PLANS AT A-A

F3 CENTER KEEL
 F3A ON SIDE OF FUSELAGE

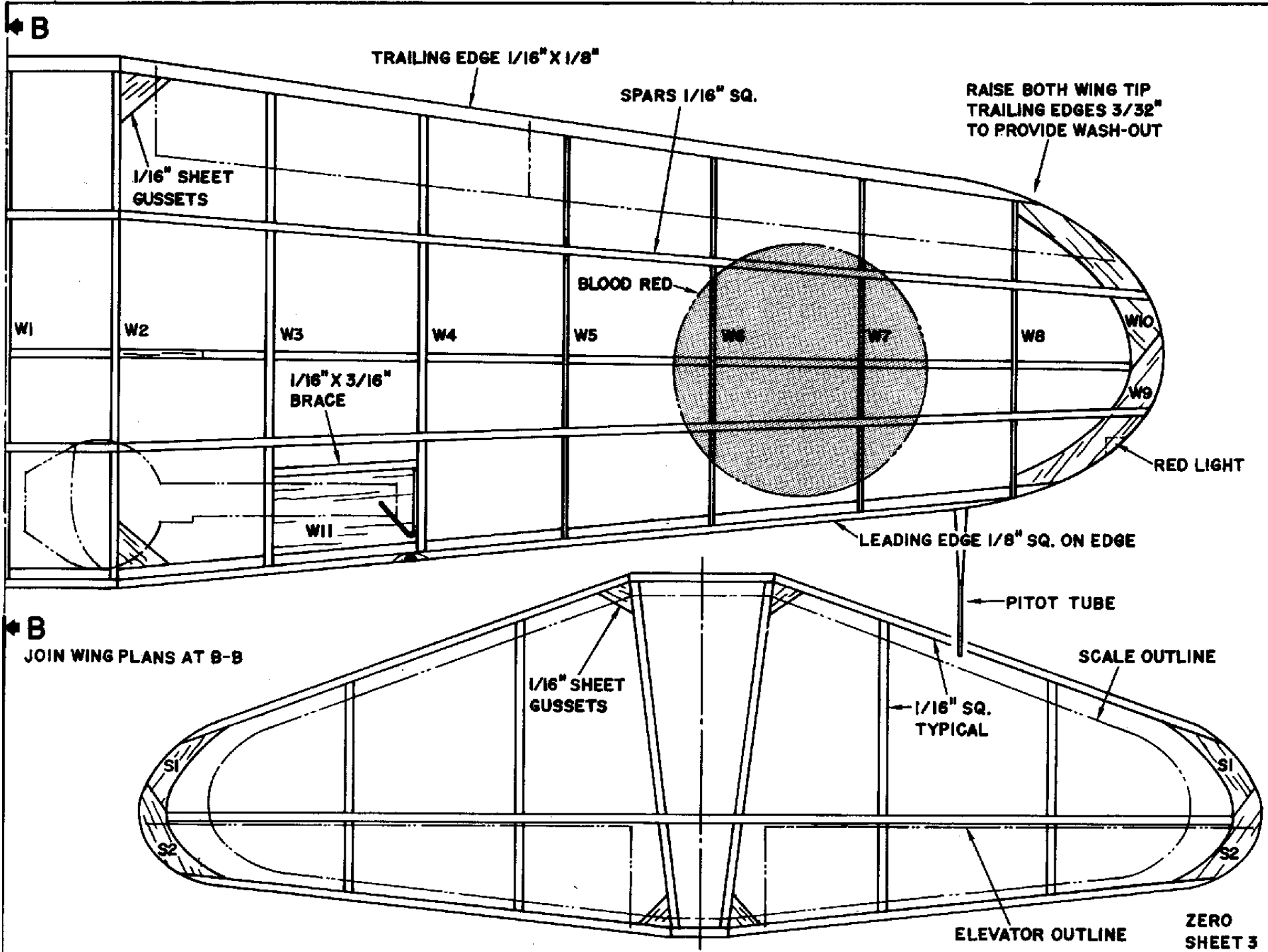
WING FILLETS
 MAKE FROM BOND PAPER

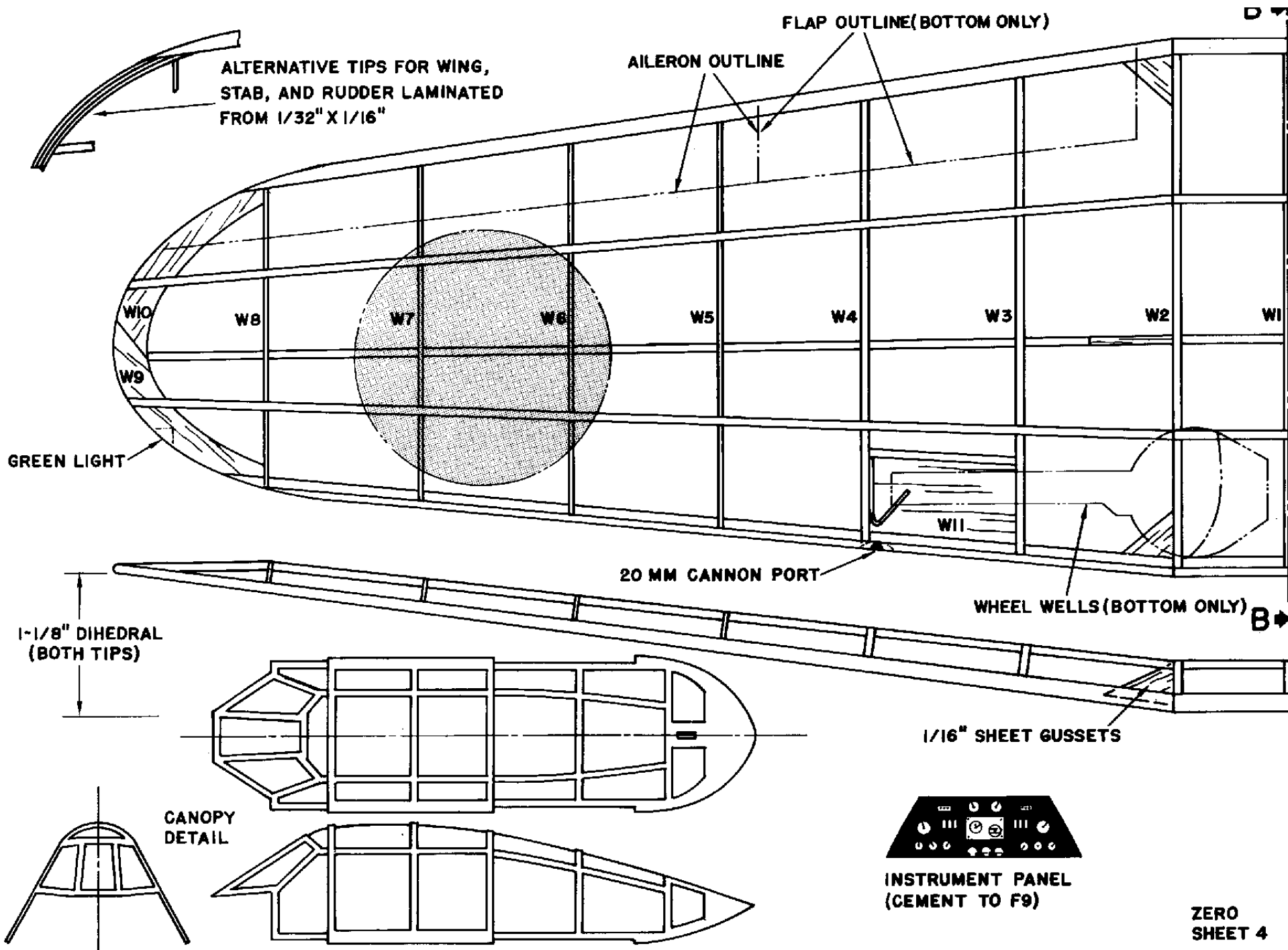
FILL IN WITH 1/16" SHEET AFTER
 MODEL IS ADJUSTED TO ALLOW FOR
 TRIMMING STABILIZER INCIDENCE

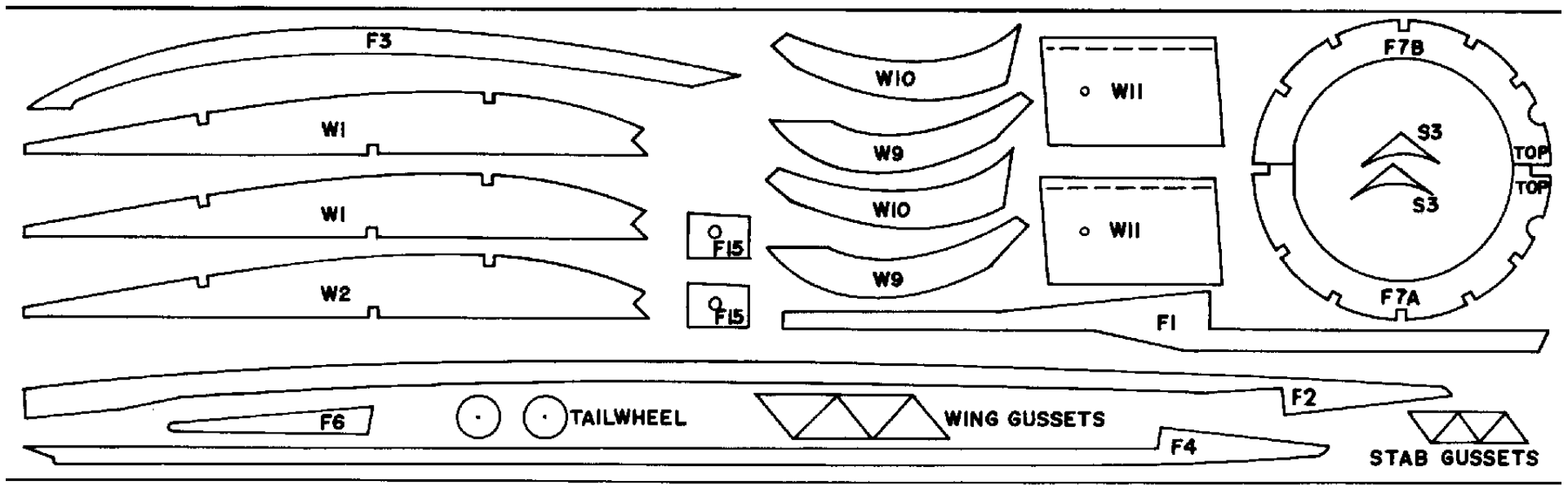
GLUE 2 PIECES
 1/16" SHEET
 CROSS GRAIN

0.015" MUSIC WIRE

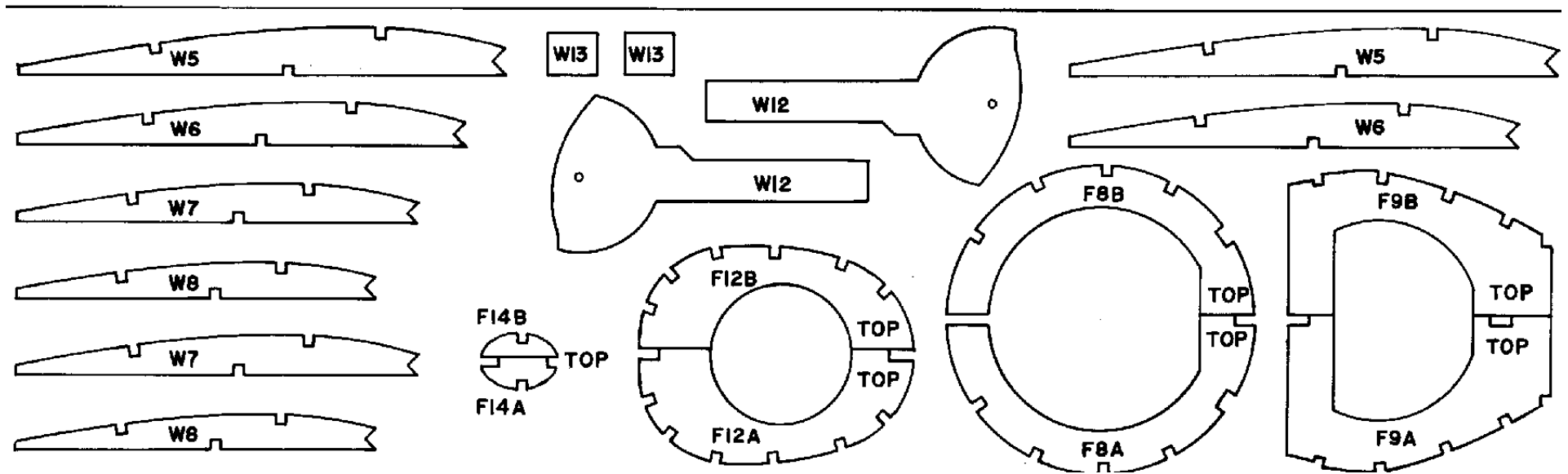
FILL IN
 WITH Balsa

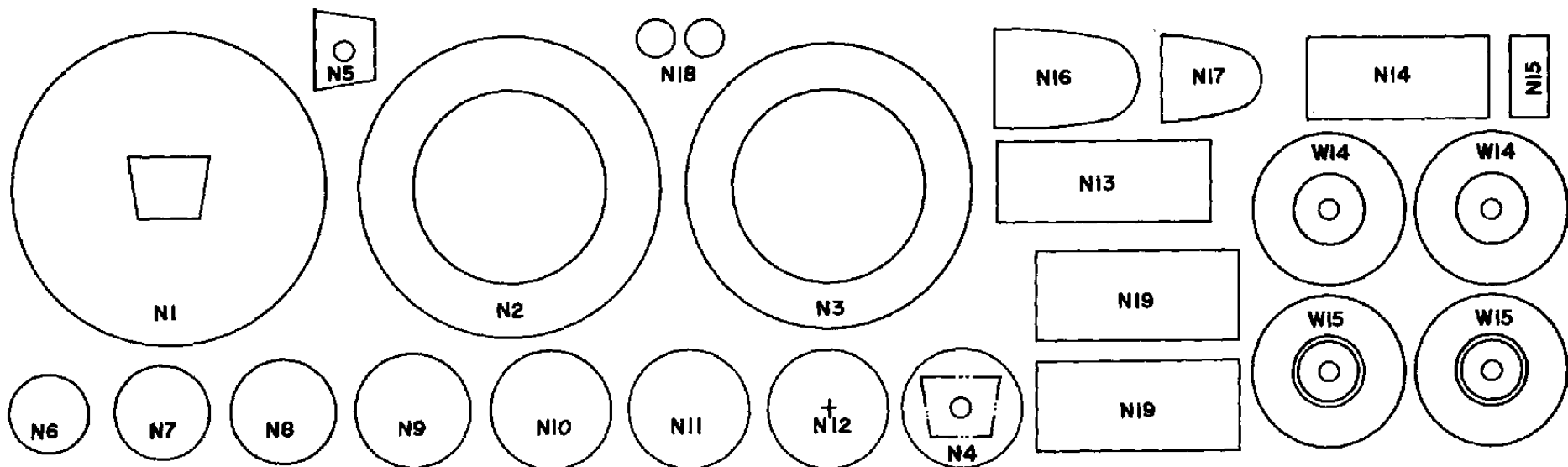




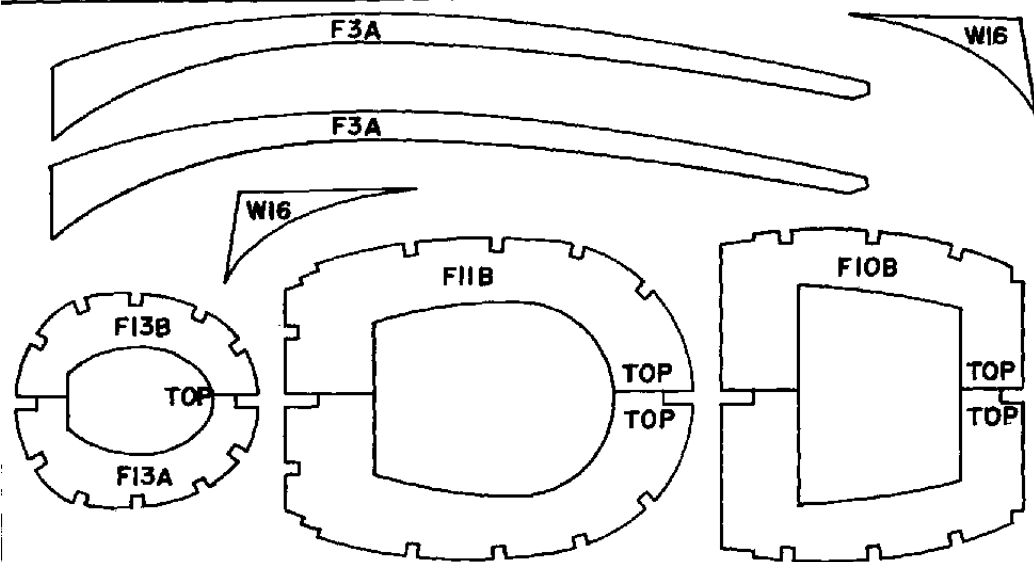


1/16" THICK BALSA

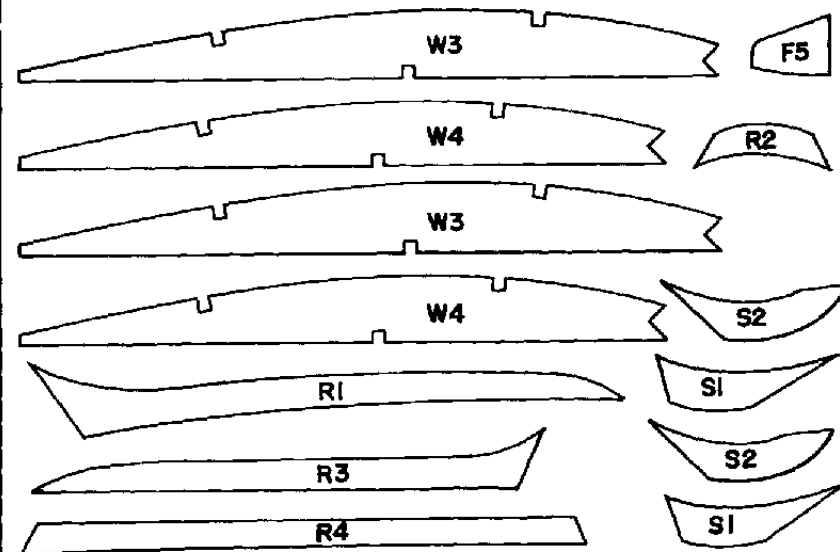




1/8" THICK BALSA



1/32" THICK BALSA



1/16" THICK BALSA