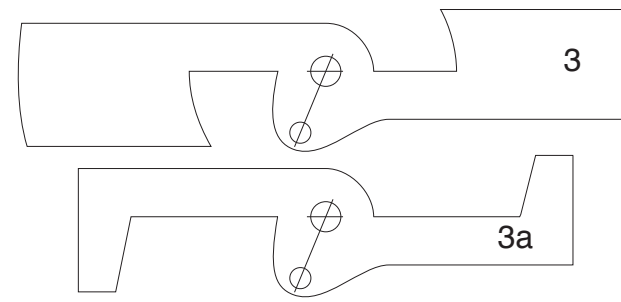
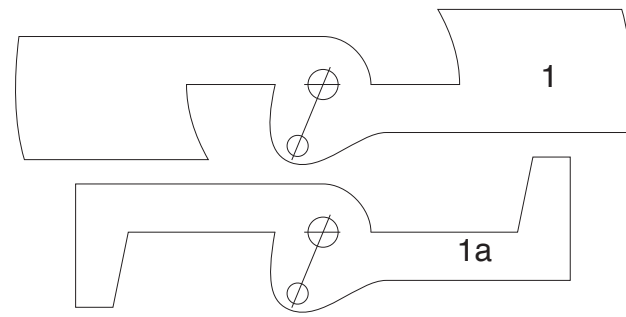
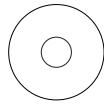
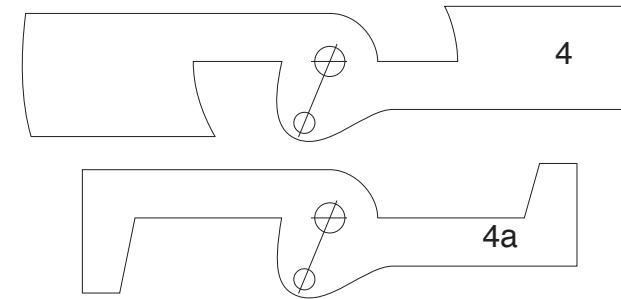
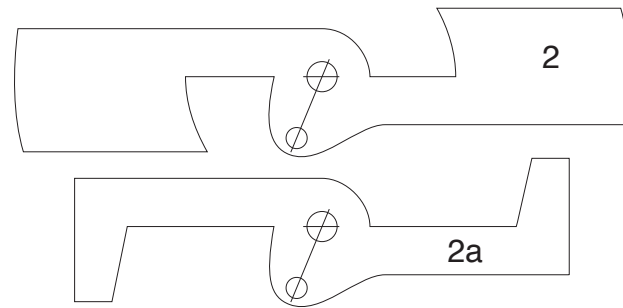


1/16" plywood washer -
4 required

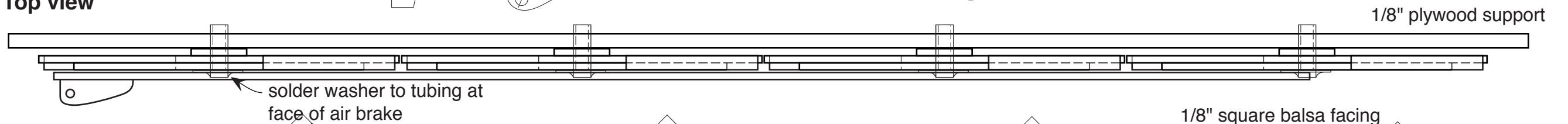


Air Brake paddles and washer
1/16" aircraft plywood

Notes: bush all holes with
brass tubing to limit play.



Top view

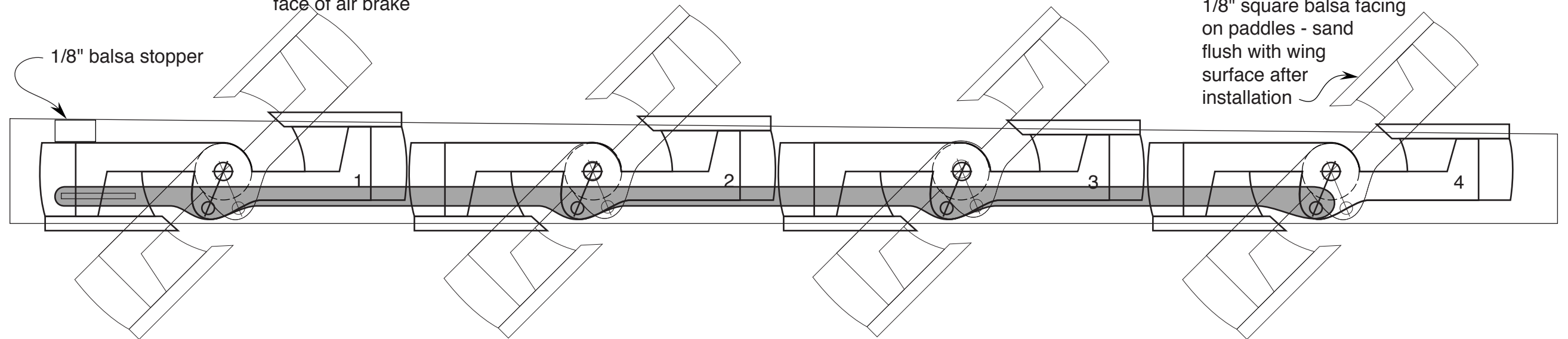


1/8" plywood support

solder washer to tubing at
face of air brake

1/8" balsa stopper

1/8" square balsa facing
on paddles - sand
flush with wing
surface after
installation



Side View

Harbinger Air Brake Layout